



Chipsmall Limited consists of a professional team with an average of over 10 year of expertise in the distribution of electronic components. Based in Hongkong, we have already established firm and mutual-benefit business relationships with customers from,Europe,America and south Asia,supplying obsolete and hard-to-find components to meet their specific needs.

With the principle of "Quality Parts,Customers Priority,Honest Operation,and Considerate Service",our business mainly focus on the distribution of electronic components. Line cards we deal with include Microchip,ALPS,ROHM,Xilinx,Pulse,ON,Everlight and Freescale. Main products comprise IC,Modules,Potentiometer,IC Socket,Relay,Connector.Our parts cover such applications as commercial,industrial, and automotives areas.

We are looking forward to setting up business relationship with you and hope to provide you with the best service and solution. Let us make a better world for our industry!



## Contact us

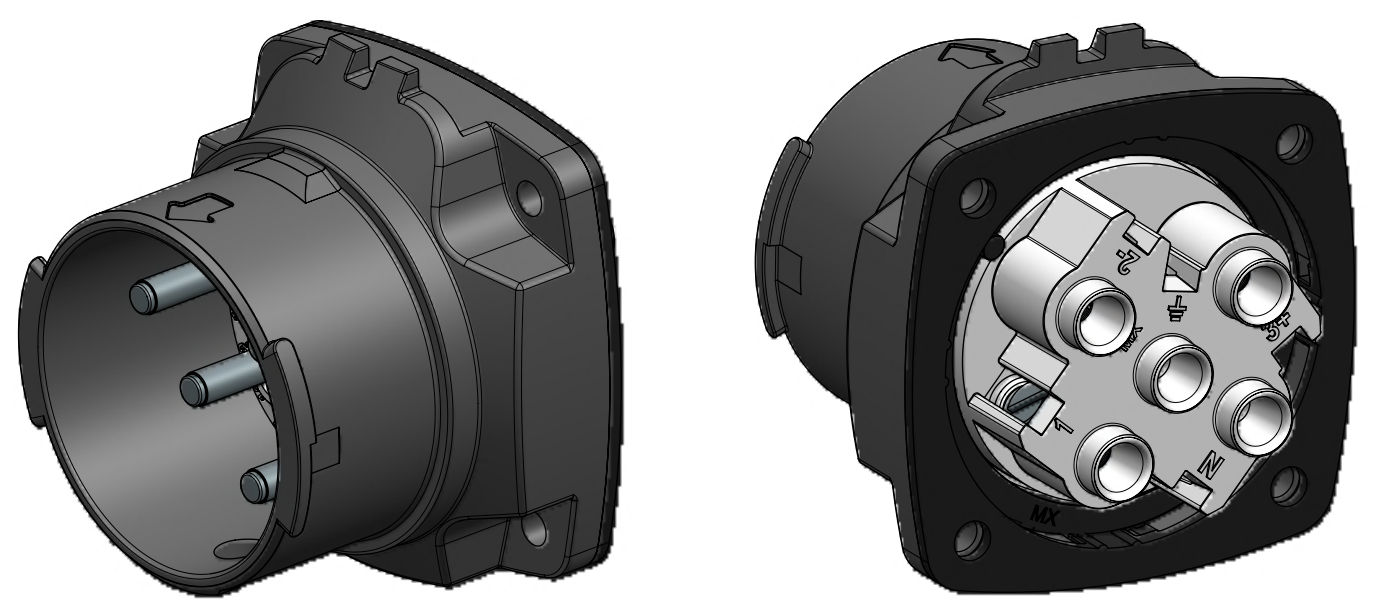
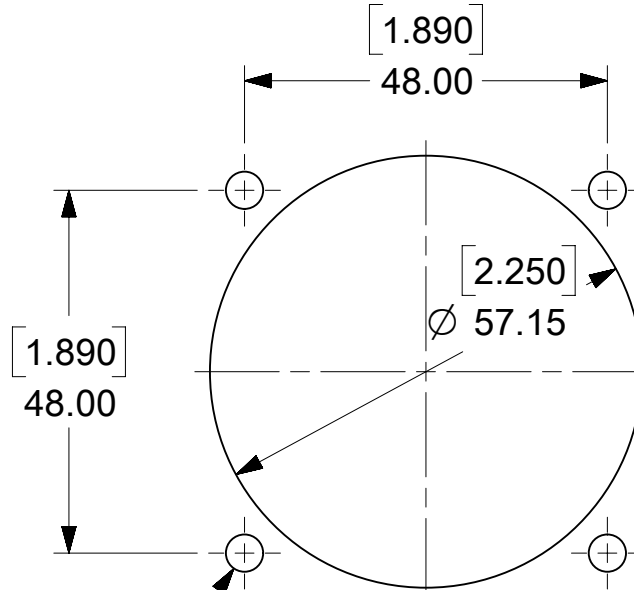
Tel: +86-755-8981 8866 Fax: +86-755-8427 6832

Email & Skype: info@chipsmall.com Web: www.chipsmall.com

Address: A1208, Overseas Decoration Building, #122 Zhenhua RD., Futian, Shenzhen, China

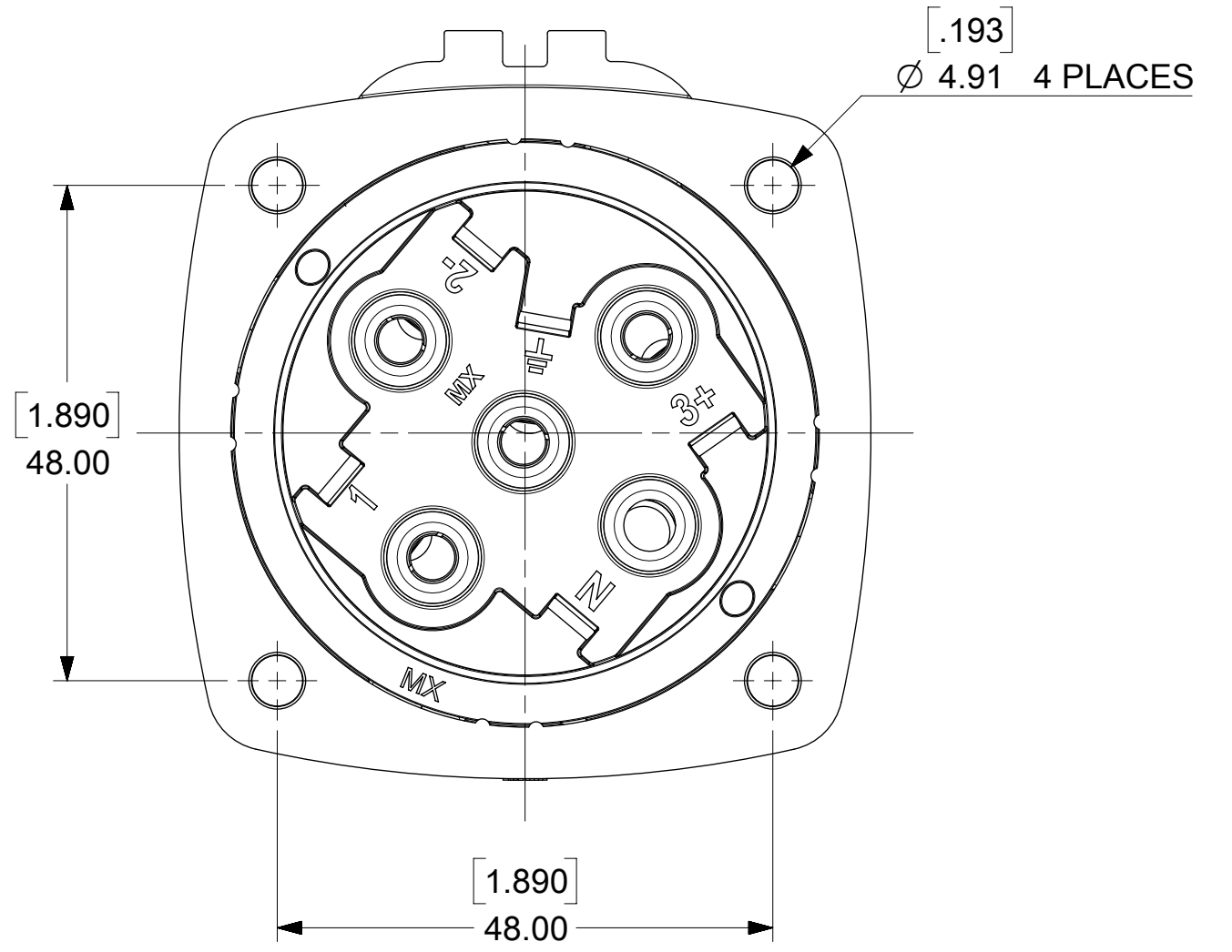
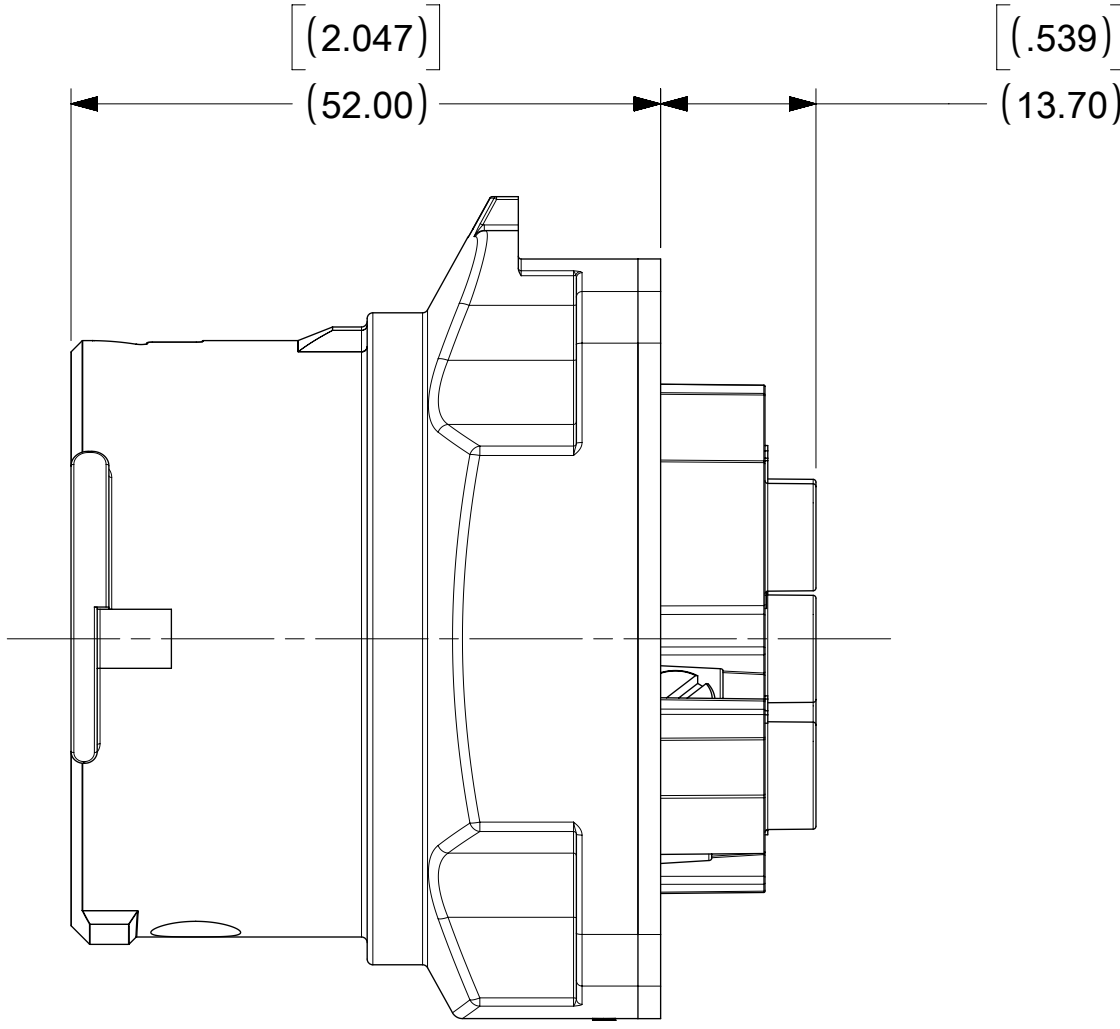
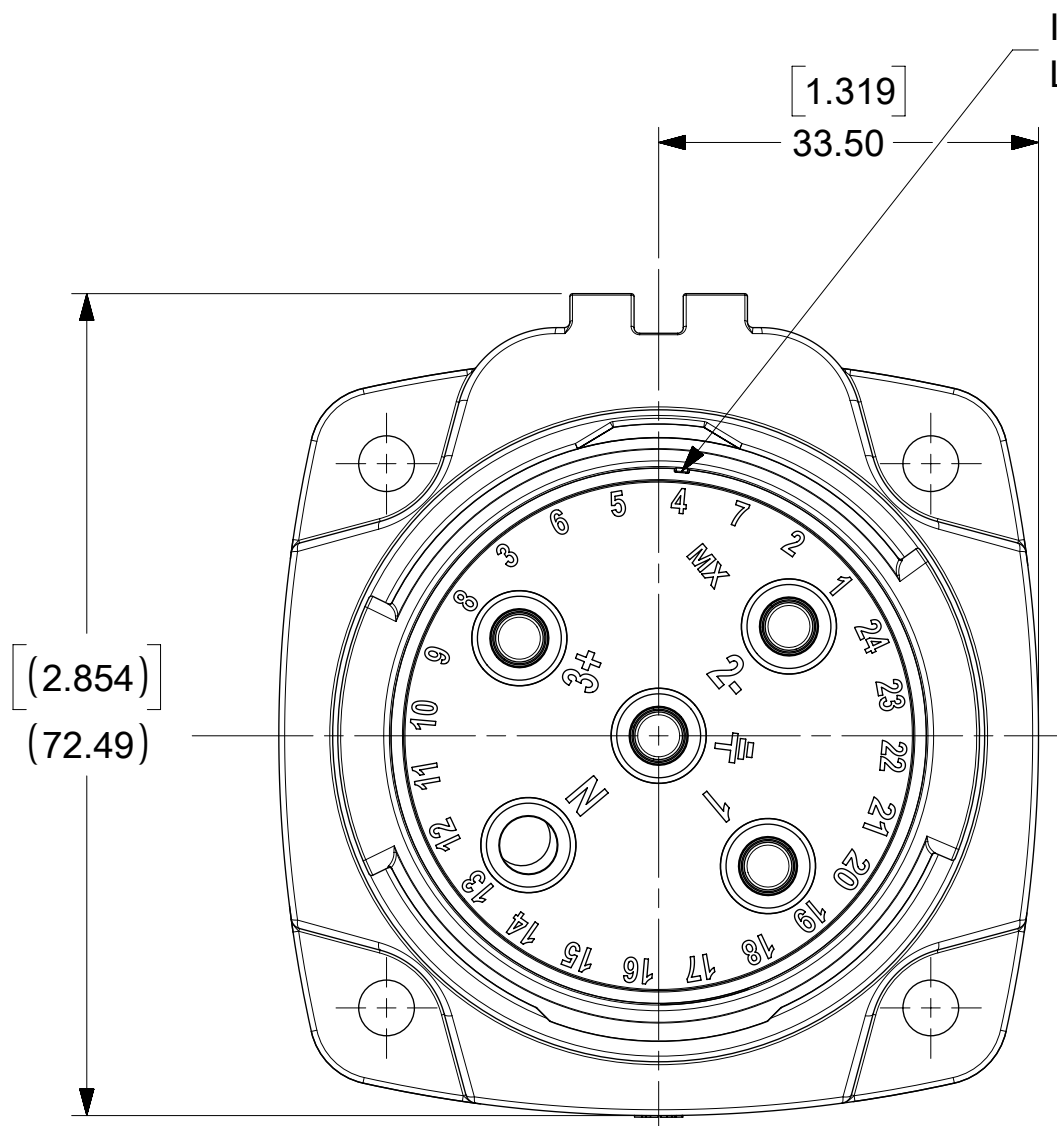


MATERIAL NUMBER	ENG NO.	DESCRIPTION	INSULATOR KEYING POSITION	HORSEPOWER RATING
1122191001	ARC30MA01	ARC 30A M 125VAC 1P+N+G	7	1 HP
1122191002	ARC30MB02	ARC 30A M 250VAC 2P+G		3 HP
1122191003	ARC30MB03	ARC 30A M 250VAC 3P+G		5 HP
1122191004	ARC30MAB04	ARC 30A M 125/250VAC 2P+N+G	16	NA
1122191005	ARC30MC02	ARC 30A M 208VAC 2P+G		NA
1122191006	ARC30MC03	ARC 30A M 208VAC 3P+G		5 HP
1122191007	ARC30MAC05	ARC 30A M 120/208VAC 3P+N+G	4	NA
1122191008	ARC30MD01	ARC 30A M 277VAC 1P+N+G		NA
1122191009	ARC30ME02	ARC 30A M 480VAC 2P+G		NA
1122191010	ARC30ME03	ARC 30A M 480VAC 3P+G	14	NA
1122191011	ARC30MDE05	ARC 30A M 277/480VAC 3P+N+G		NA
1122191012	ARC30MF02	ARC 30A M 600VAC 2P+G		NA
1122191013	ARC30MF03	ARC 30A M 600VAC 3P+G	14	NA
1122191014	ARC30MGF05	ARC 30A M 347/600VAC 3P+N+G		NA



SCALE 1:1

CLEARANCE FOR 8-32 FASTENER



NOTES:

- MATERIALS:**  
HOUSINGS AND INSULATORS: GLASS FILLED PBT  
CONTACTS: COPPER ALLOY WITH A SILVER NICKEL TIP, SILVER PLATED.  
MOUNTING GASKET: SILICONE
- RATING:**  
CURRENT: 30 AMPS  
VOLTAGE AND HORSEPOWER: SEE TABLE  
OPERATING TEMPERATURE: -40°C (-40°F) TO 60°C (140°F)  
ENVIRONMENTAL: NEMA TYPE 4X  
WIRING CAPACITY: 12 AWG MIN. TO 8 AWG MAX.  
TORQUE TERMINAL SCREWS TO 1.7 N-M (15 in/lbs)  
AGENCY: UL LISTING PENDING  
SWITCH RATED INLET/PLUG  
BRANCH CIRCUIT DISCONNECT SWITCH  
MOTOR CIRCUIT DISCONNECT SWITCH IF HP RATED

THIS DRAWING REPLACES SD-112219-101

ARC30ME03 SHOWN

QUALITY SYMBOLS		THIS DRAWING CONTAINS INFORMATION THAT IS PROPRIETARY TO MOLEX ELECTRONIC TECHNOLOGIES, LLC AND SHOULD NOT BE USED WITHOUT WRITTEN PERMISSION		DIMENSION UNITS		SCALE	
▽ = 0	▽ = 0	GENERAL TOLERANCES (UNLESS SPECIFIED)		MM [INCH]		1.5:1	
▽ = 0	▽ = 0	4 PLACES ± ±		DRWN BY		DATE	
▽ = 0	▽ = 0	3 PLACES ± ± 0.005		KJ		5/24/2017	
▽ = 0	▽ = 0	2 PLACES ± 0.13 ± 0.010		CHK'D BY		DATE	
▽ = 0	▽ = 0	1 PLACES ± 0.25 ± 0.020		BR		5/24/2017	
▽ = 0	▽ = 0	0 PLACES ± ±		APPR BY		DATE	
▽ = 0	▽ = 0	ANGULAR TOL = 0.5°		JM		5/24/2017	
▽ = 0	▽ = 0	DRAFT WHERE APPLICABLE MUST REMAIN WITHIN DIMENSIONS		DRAWING SIZE		THIRD ANGLE PROJECTION	
▽ = 0	▽ = 0			C			
DOCUMENT STATUS		P1		RELEASE DATE		2018/05/10 16:43:17	



30A ArcArrest™ INLET/PLUG

PRODUCT CUSTOMER DRAWING

SERIES: 112219 MATERIAL NUMBER: SEE TABLE CUSTOMER: GENERAL MARKET

DOCUMENT NUMBER: 1122191010 DOC TYPE: PSD DOC PART: 000 SHEET NUMBER: 1 OF 1