



Chipsmall Limited consists of a professional team with an average of over 10 year of expertise in the distribution of electronic components. Based in Hongkong, we have already established firm and mutual-benefit business relationships with customers from,Europe,America and south Asia,supplying obsolete and hard-to-find components to meet their specific needs.

With the principle of "Quality Parts,Customers Priority,Honest Operation,and Considerate Service",our business mainly focus on the distribution of electronic components. Line cards we deal with include Microchip,ALPS,ROHM,Xilinx,Pulse,ON,Everlight and Freescale. Main products comprise IC,Modules,Potentiometer,IC Socket,Relay,Connector.Our parts cover such applications as commercial,industrial, and automotives areas.

We are looking forward to setting up business relationship with you and hope to provide you with the best service and solution. Let us make a better world for our industry!



## Contact us

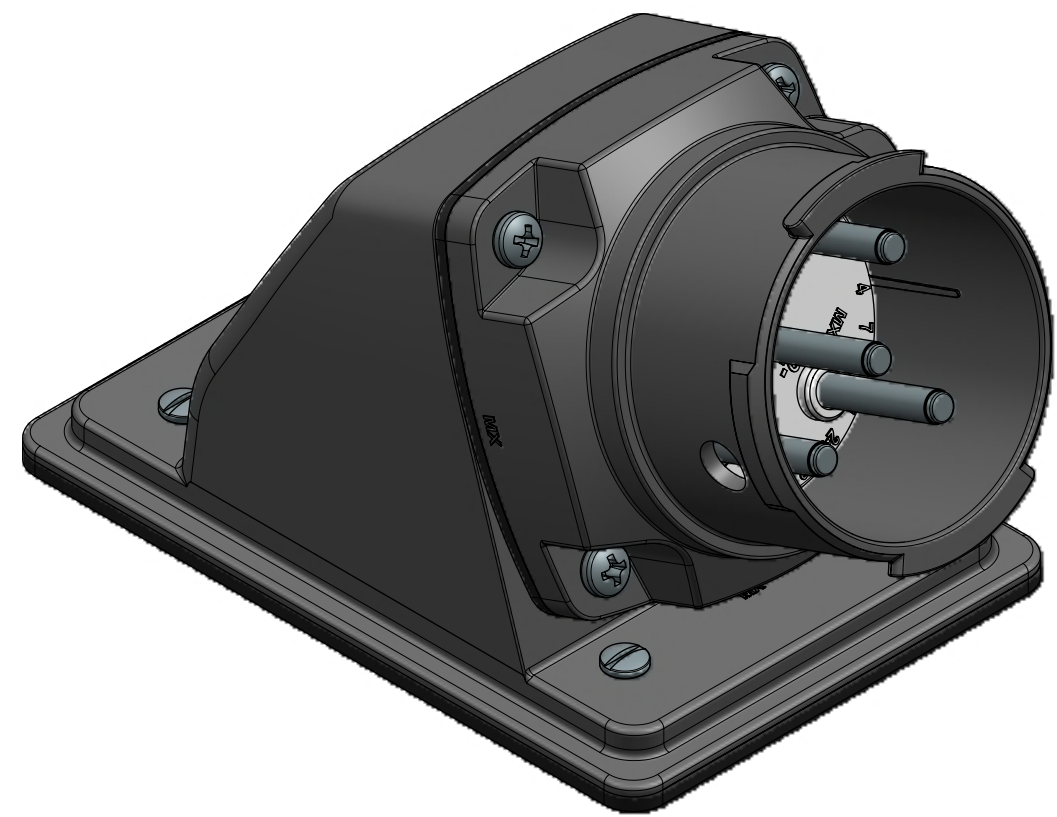
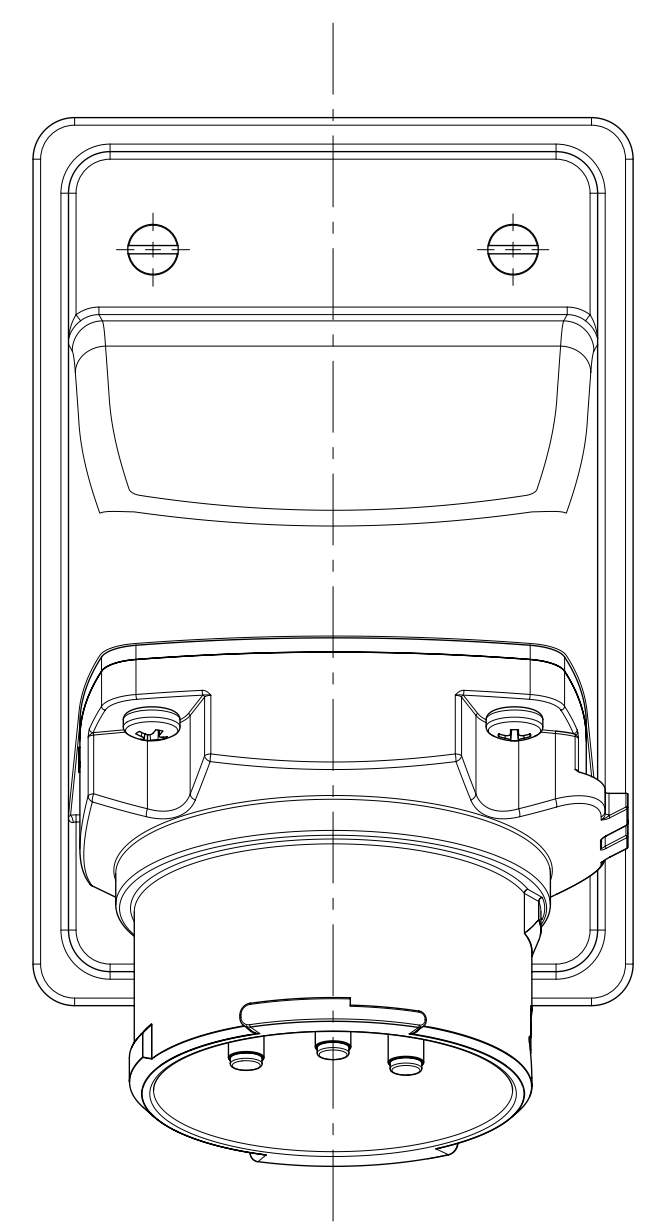
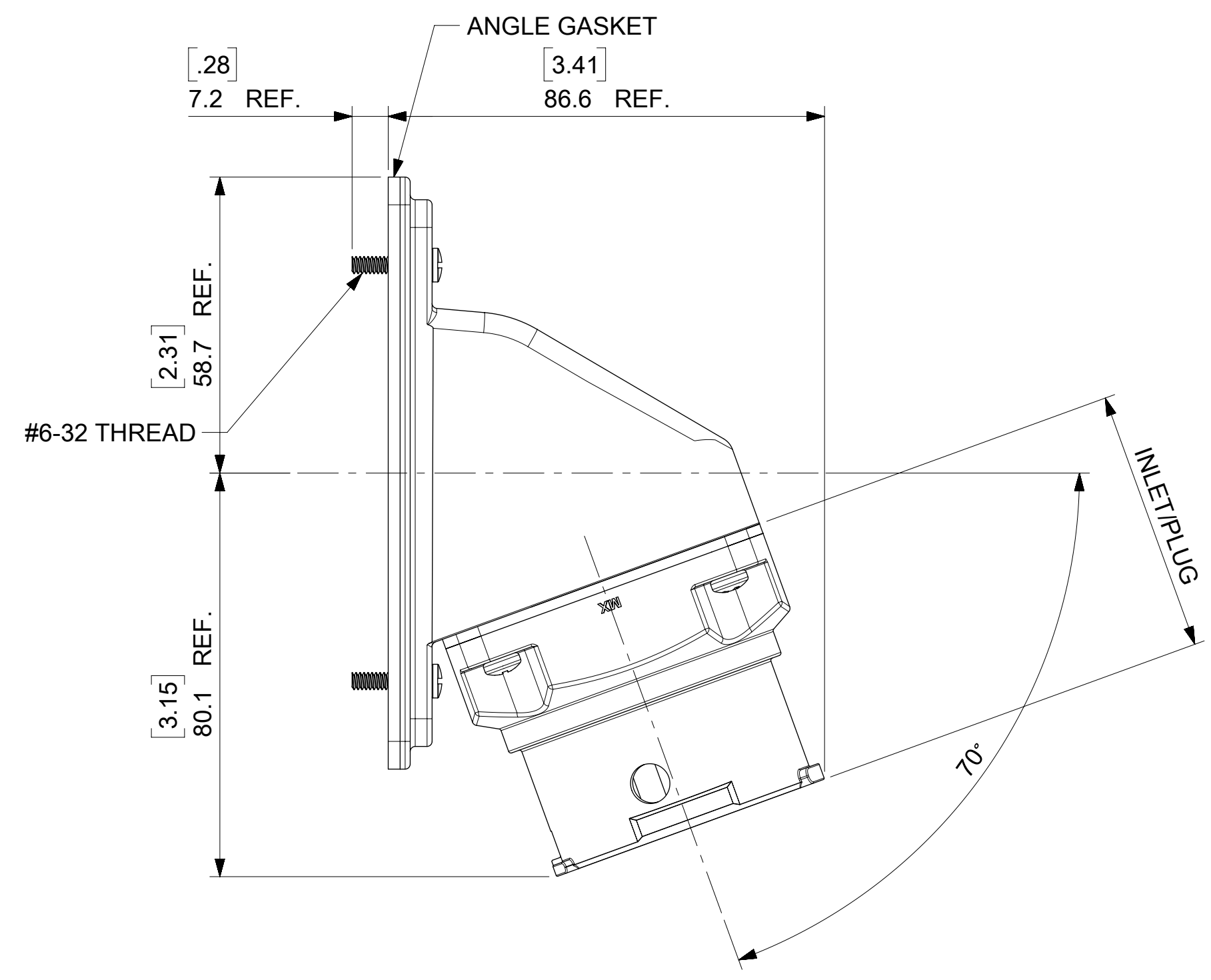
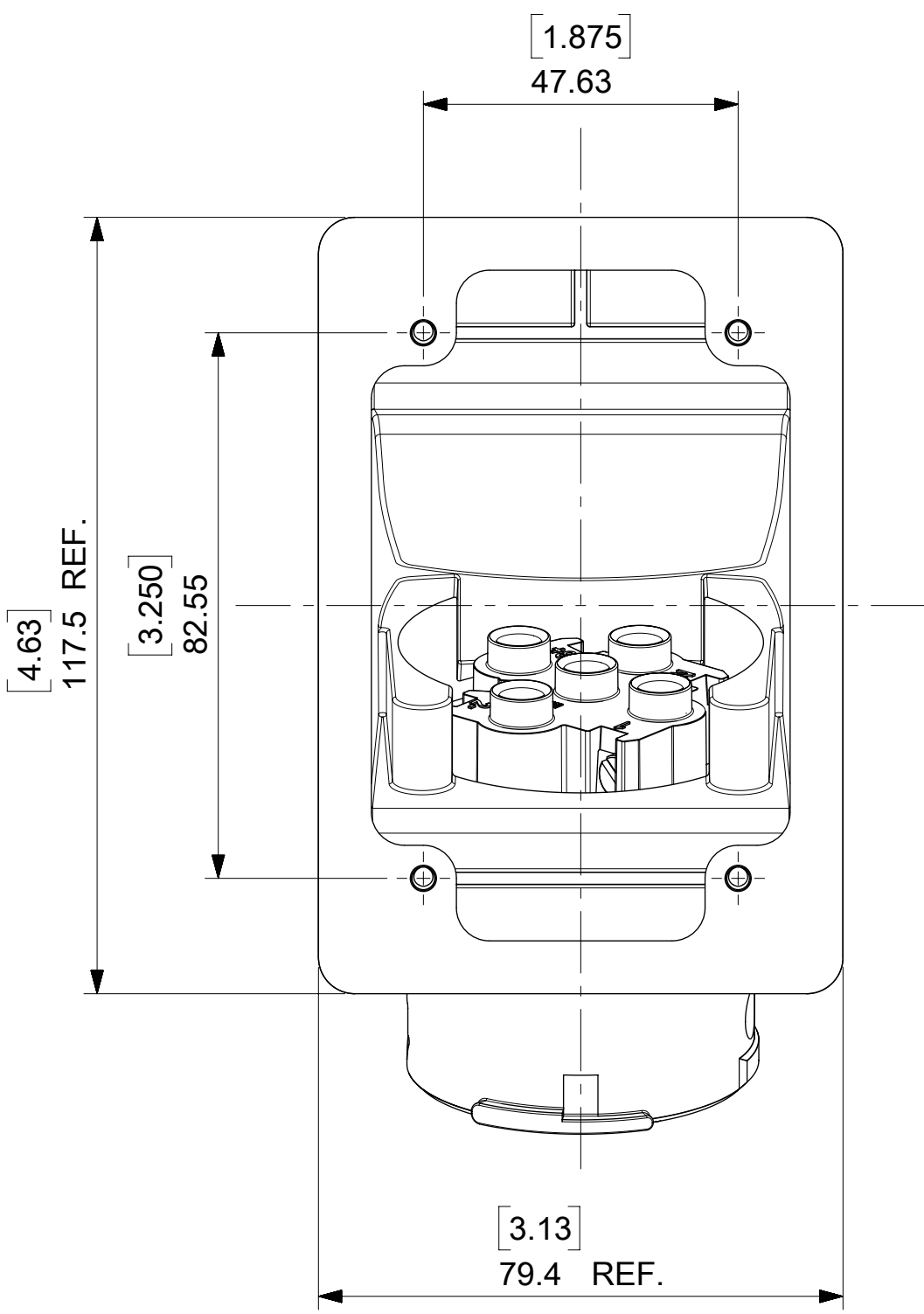
Tel: +86-755-8981 8866 Fax: +86-755-8427 6832

Email & Skype: info@chipsmall.com Web: www.chipsmall.com

Address: A1208, Overseas Decoration Building, #122 Zhenhua RD., Futian, Shenzhen, China







**NOTES:**

**MATERIALS:**  
 ANGLE, HOUSINGS AND INSULATORS: GLASS FILLED PBT  
 CONTACTS: COPPER ALLOY WITH A SILVER NICKEL TIP, SILVER PLATED  
 MOUNTING AND INTERFACE GASKETS: SILICONE  
 GROMMET - RUBBER  
 FRICTION RING - NATURAL POLYETHYLENE  
 COMPRESSION NUT - BLACK PBT  
 SELF TAPPING SCREWS (PHILLIPS) - STAINLESS STEEL  
 ANGLE MOUNTING SCREWS (SLOTTED) - STAINLESS STEEL  
 ANGLE GASKET - EPDM

**RATINGS:**  
 CURRENT: 30 AMPS  
 VOLTAGE AND HORSEPOWER: SEE TABLE  
 OPERATING TEMPERATURE: -25°C (-13°F) TO 60°C (140°F)  
 ENVIRONMENTAL: NEMA TYPE 4X  
 WIRING CAPACITY: 12 AWG MIN. TO 8 AWG MAX.  
 TORQUE TERMINAL SCREWS TO 1.7 N-M (15 in/lbs)  
 AGENCY: UL LISTING PENDING  
 SWITCH RATED RECEPTACLE/CONNECTOR  
 BRANCH CIRCUIT DISCONNECT SWITCH  
 MOTOR CIRCUIT DISCONNECT SWITCH IF HP RATED

INLET/PLUG AND HANDLE ARE PACKAGED AS SUB-ASSEMBLIES AND WILL REQUIRE END USER ASSEMBLY.

MATERIAL NUMBER	ENGINEERING NUMBER	DESCRIPTION	INSULATOR KEYING POSITION	HORSEPOWER RATING
1122191043	ARC30MAA01	ARC 30A MA 125VAC 1P+N+G	7	1 HP
1122191044	ARC30MAB02	ARC 30A MA 250VAC 2P+G		3 HP
1122191045	ARC30MAB03	ARC 30A MA 250VAC 3P+G		5 HP
1122191046	ARC30MAAB04	ARC 30A MA 125/250VAC 2P+N+G	16	NA
1122191047	ARC30MAC02	ARC 30A MA 208VAC 2P+G		NA
1122191048	ARC30MAC03	ARC 30A MA 208VAC 3P+G	4	5 HP
1122191049	ARC30MAAC05	ARC 30A MA 120/208VAC 3P+N+G		NA
1122191050	ARC30MAD01	ARC 30A MA 277VAC 1P+N+G		NA
1122191051	ARC30MAE02	ARC 30A MA 480VAC 2P+G	14	NA
1122191052	ARC30MAE03	ARC 30A MA 480VAC 3P+G		NA
1122191053	ARC30MADE05	ARC 30A MA 277/480VAC 3P+N+G	NA	NA
1122191054	ARC30MAF02	ARC 30A MA 600VAC 2P+G		NA
1122191055	ARC30MAF03	ARC 30A MA 600VAC 3P+G		NA
1122191056	ARC30MAGF05	ARC 30A MA 347/600VAC 3P+N+G		NA

**ARC30MAE03 SHOWN**

QUALITY SYMBOLS	THIS DRAWING CONTAINS INFORMATION THAT IS PROPRIETARY TO MOLEX ELECTRONIC TECHNOLOGIES, LLC AND SHOULD NOT BE USED WITHOUT WRITTEN PERMISSION														
	INITIAL RELEASE EC NO: 176476 DRWN: VHANDI CHKD: BRUPERT REV / APPR: BRUPERT	2018/04/12		2018/05/10		2018/05/10		GENERAL TOLERANCES (UNLESS SPECIFIED)		DIMENSION UNITS		SCALE			
MM		INCH		MM[INCH]		1:1				  <b>30A ArcArrest™ INLET/PLUG KIT WITH 70° ANGLE</b>  PRODUCT CUSTOMER DRAWING					
4 PLACES ±		±		DRWN BY		DATE									
3 PLACES ±		± .005		VBASUTHKARP		01/12/2018									
2 PLACES ±		.13 ± .010		CHK'D BY		DATE									
1 PLACES ±		.25 ± .020		APPR BY		DATE									
0 PLACES ±		±								SERIES		MATERIAL NUMBER		CUSTOMER	
ANGULAR TOL = 0.5°				DRAWING SIZE		THIRD ANGLE PROJECTION		112219		SEE TABLE		GENERAL MARKET			
DRAFT WHERE APPLICABLE MUST REMAIN WITHIN DIMENSIONS				C				DOCUMENT NUMBER		DOC TYPE		DOC PART		SHEET NUMBER	
								1122191052		PSD		000		1 OF 1	