



Chipsmall Limited consists of a professional team with an average of over 10 year of expertise in the distribution of electronic components. Based in Hongkong, we have already established firm and mutual-benefit business relationships with customers from,Europe,America and south Asia,supplying obsolete and hard-to-find components to meet their specific needs.

With the principle of "Quality Parts,Customers Priority,Honest Operation,and Considerate Service",our business mainly focus on the distribution of electronic components. Line cards we deal with include Microchip,ALPS,ROHM,Xilinx,Pulse,ON,Everlight and Freescale. Main products comprise IC,Modules,Potentiometer,IC Socket,Relay,Connector.Our parts cover such applications as commercial,industrial, and automotives areas.

We are looking forward to setting up business relationship with you and hope to provide you with the best service and solution. Let us make a better world for our industry!



## Contact us

Tel: +86-755-8981 8866 Fax: +86-755-8427 6832

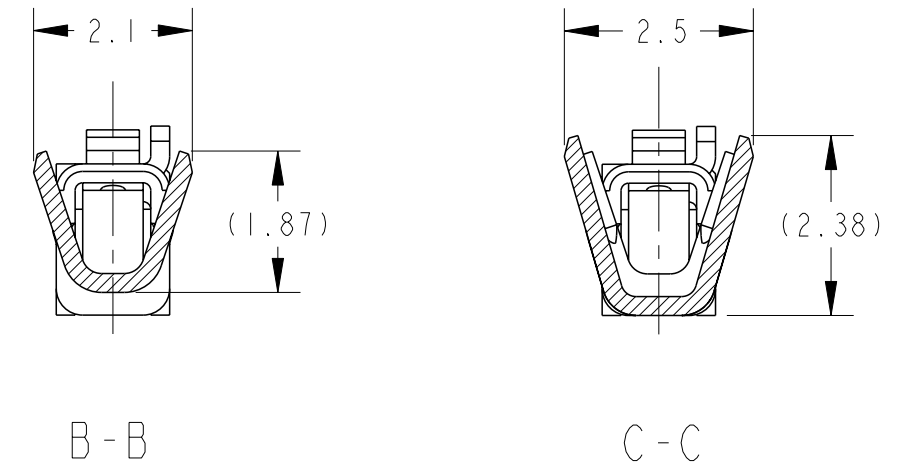
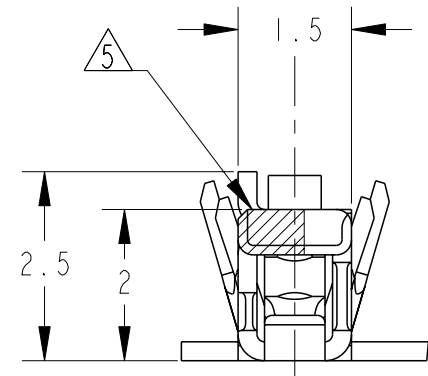
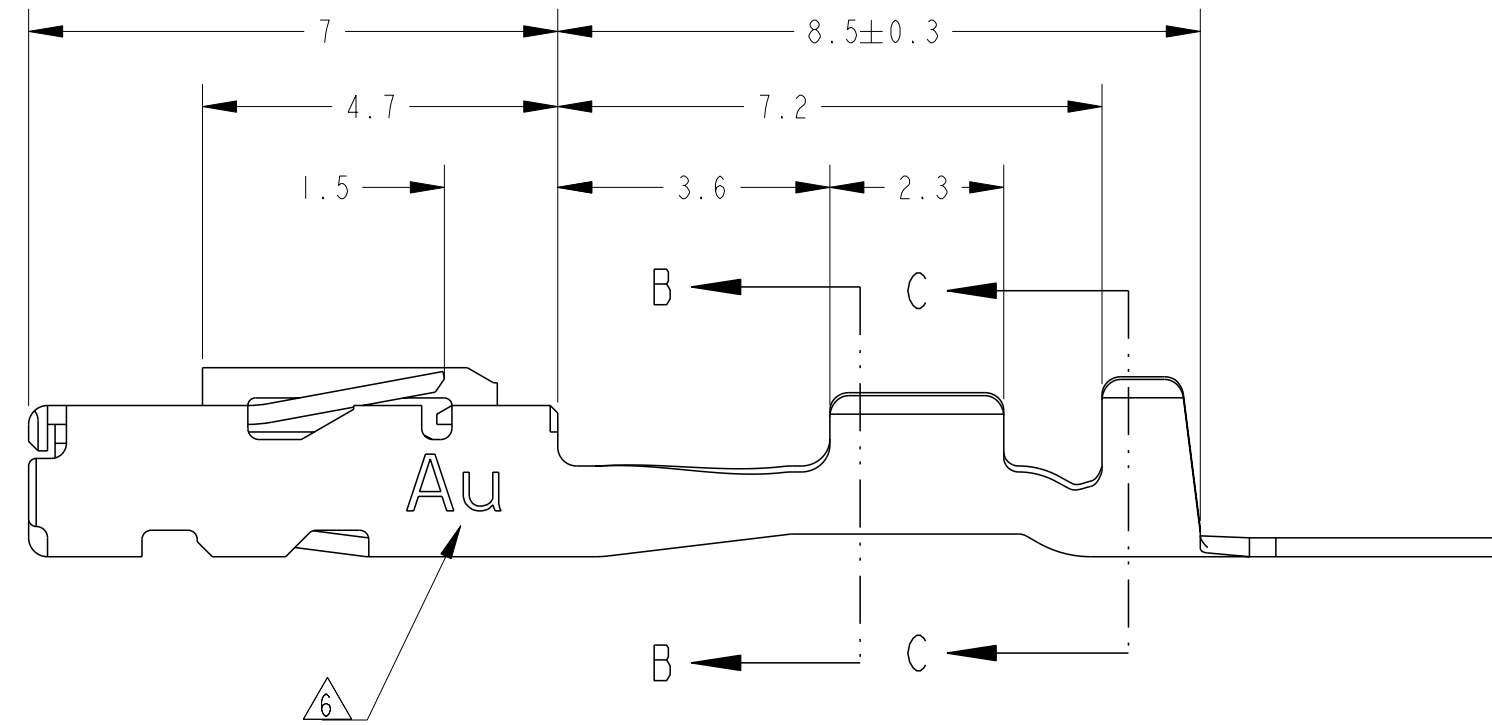
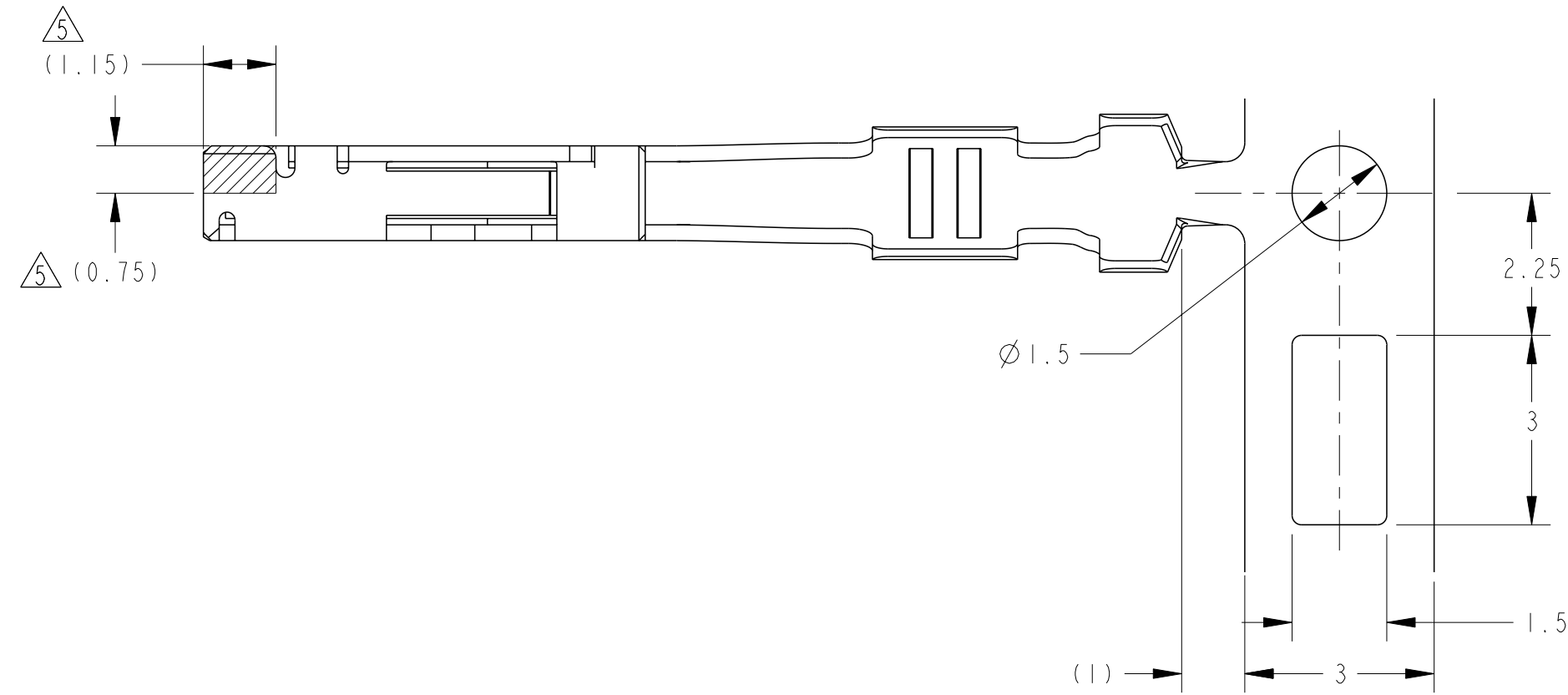
Email & Skype: info@chipsmall.com Web: www.chipsmall.com

Address: A1208, Overseas Decoration Building, #122 Zhenhua RD., Futian, Shenzhen, China

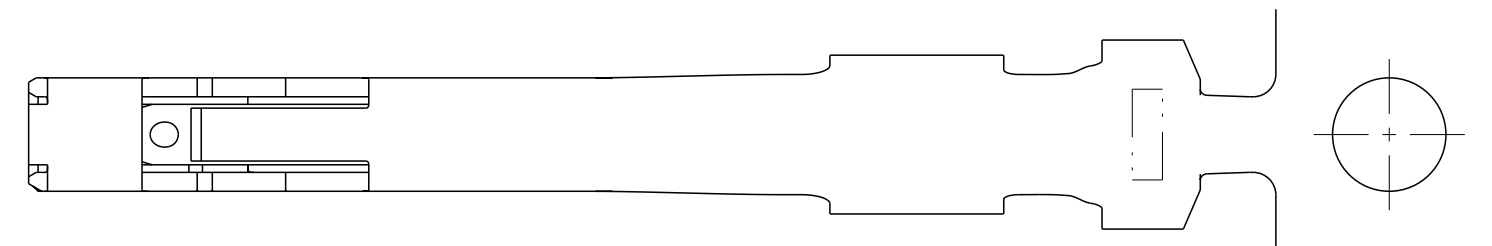


LOC J  
 NIST

REVISIONS				
P	LTR	DESCRIPTION	DATE	APVD
P		REVISED PER ECO-11-005140	02APR2011	RK HMR
PI		REVISED ECR-11-007131	14JUN11	RK HY
R		REVISED ECR-15-013494	18SEP2015	KK RK



1. 適用電線:  
 AVSS, AVSSH-f 0.3-0.5mm<sup>2</sup>  
 CAVS, CAVUS 0.22-0.5mm<sup>2</sup>  
 2. 取付適用規格; 114-5250  
 3. アプリケータ送りピッチ; 7.5mm  
 4. パラ端子型番;  
 PRE-TIN; 1318143-1  
 SELECTIVE GOLD; 1318143-2
- △ 識別用金めっき範囲を示す。  
 △ 識別用刻印
1. APPLICABLE WIRE RANGE ;  
 AVSS, AVSSH-f 0.3-0.5mm<sup>2</sup>  
 CAVS, CAVUS 0.22-0.5mm<sup>2</sup>  
 2. APPLICATION SPEC ; 114-5250  
 3. APPLICATOR FEED; 7.5mm.  
 4. P/N OF LOOSE PIECE ;  
 PRE-TIN; 1318143-1  
 SELECTIVE GOLD; 1318143-2
- △ GOLD PLATED AREA FOR DISCRIMINATION.  
 △ MARKING FOR IDENTIFICATION.



SEE DRAWING 1123343-7	1123343-7
OBSOLETE	1123343-5
△5△6 SELECTIVE GOLD	1123343-2
PRE-TIN	1123343-1
FINISH	PART NO.

WIRE RANGE 0.22-0.56mm<sup>2</sup> INSULATION DIA. Ø0.95-1.7



025 RECEPTACLE CONTACT  
 025 RECEPTACLE CONTACT

SIZE A2	CAGE CODE 00779	DRAWING NO. C-1123343	RESTRICTED TO
SCALE 10:1	SHEET 1	OF 1	REV R

THIS DRAWING IS A CONTROLLED DOCUMENT.		DWN H. YAMAGAMI 25JAN99
DIMENSIONS: 単位: ㎜		CHK T. KOHNO 25JAN99
TOLERANCES UNLESS OTHERWISE SPECIFIED: 一般公差 = ±0.2		APVD N. SAI 25JAN99
0-PLC ±	1-PLC ±0.1	PRODUCT SPEC
2-PLC ±0.15	3-PLC ±0.001	APPLICATION SPEC
4-PLC ±0.0001	ANGLES ±3°00'	取付適用規格 114-5250
MATERIAL COPPER ALLOY	FINISH 仕上	WEIGHT 0.2g
SEE TABLE		Customer Drawing