



Chipsmall Limited consists of a professional team with an average of over 10 year of expertise in the distribution of electronic components. Based in Hongkong, we have already established firm and mutual-benefit business relationships with customers from,Europe,America and south Asia,supplying obsolete and hard-to-find components to meet their specific needs.

With the principle of “Quality Parts,Customers Priority,Honest Operation,and Considerate Service”,our business mainly focus on the distribution of electronic components. Line cards we deal with include Microchip,ALPS,ROHM,Xilinx,Pulse,ON,Everlight and Freescale. Main products comprise IC,Modules,Potentiometer,IC Socket,Relay,Connector.Our parts cover such applications as commercial,industrial, and automotives areas.

We are looking forward to setting up business relationship with you and hope to provide you with the best service and solution. Let us make a better world for our industry!



Contact us

Tel: +86-755-8981 8866 Fax: +86-755-8427 6832

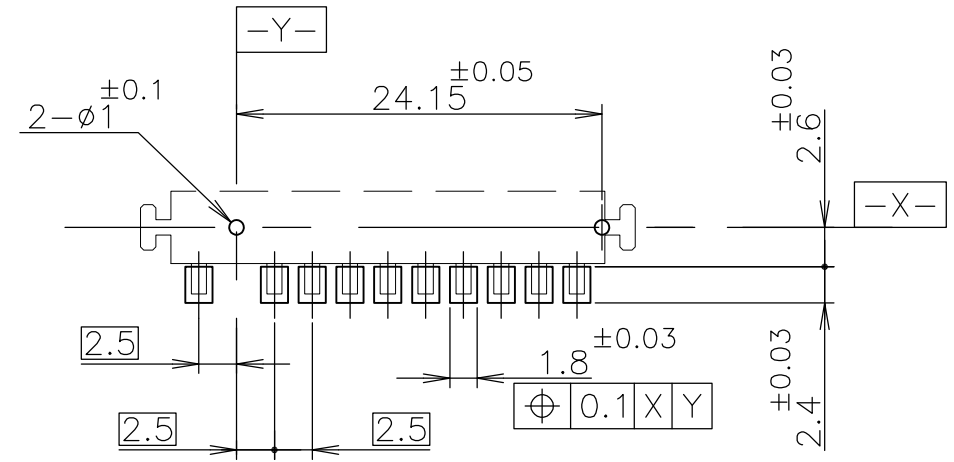
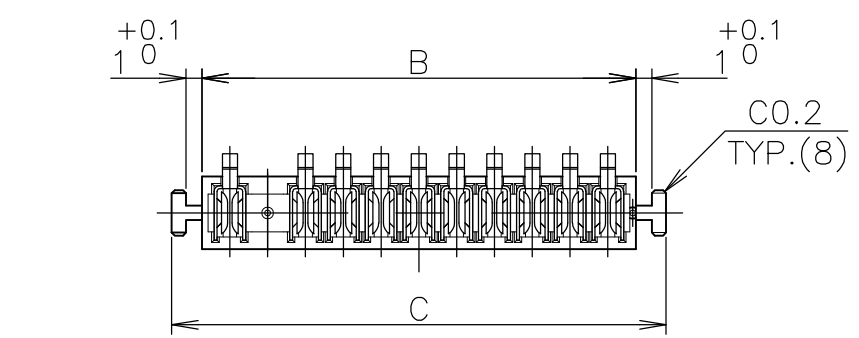
Email & Skype: info@chipsmall.com Web: www.chipsmall.com

Address: A1208, Overseas Decoration Building, #122 Zhenhua RD., Futian, Shenzhen, China

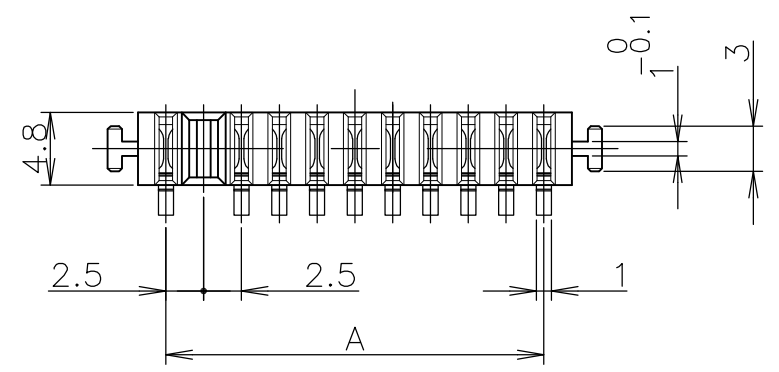
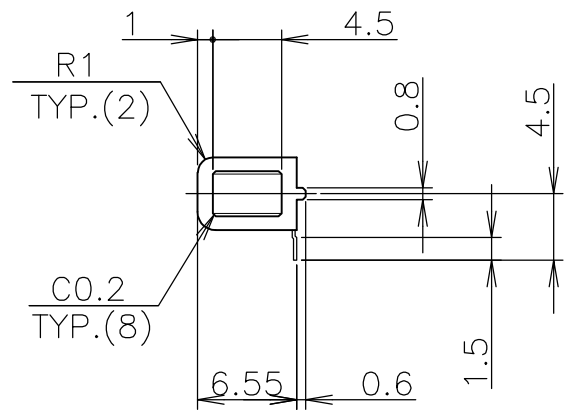
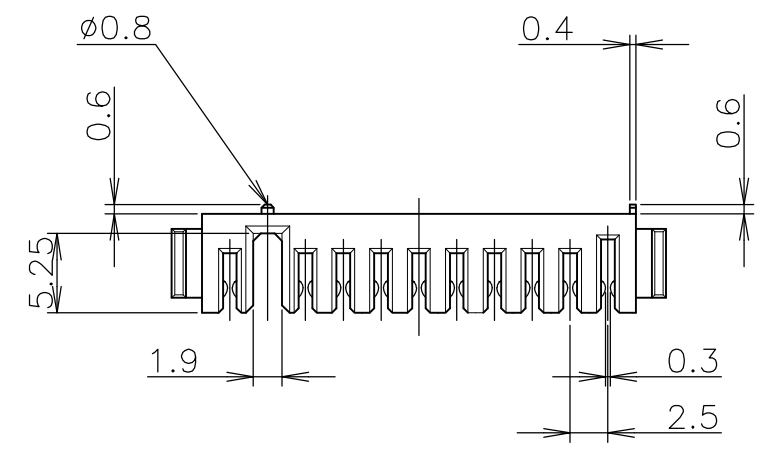


THIS DRAWING IS UNPUBLISHED. RELEASED FOR PUBLICATION FEB, 1998.
 © COPYRIGHT 1998 By - ALL RIGHTS RESERVED.

LOC	DIST	REVISIONS					
		P	LTR	DESCRIPTION	DATE	DWN	APVD
J	/	D1		REVISED PER ECO-11-005030	11MAR11	RK	HMR



基板取付参考寸法
 REFERENCE P.C.BOARD LAYOUT
 P.C.BOARD THK 0.8~1.2
 (VIEW FROM CONNECTOR MOUNTING SIDE)



- ① 材料 ハウジング : 6Tナイロン、UL94V-0, 色 ; 黒
 コンタクト : 銅合金
- ② 仕上げ コンタクト : Ni 下地めっき 1.3~4μm
 接触部 Pd-Niめっき 1μm以上
 接触部 Auフラッシュめっき 0.05~0.127μm
 半田付け部 すずめっき 2~5μm
- ③ 材料 ハウジング : 6Tナイロン、UL94V-0, 色 ; 黒
 コンタクト : Cu-Ni-Si 合金
- ④ 仕上げ コンタクト : Ni 下地めっき 2μm以上
 接触部 Auめっき 0.3μm以上
 半田付け部 すずめっき 2μm以上

- ① MATERIAL HOUSING : 6T NYLON, UL94V-0
 COLOR ; BLACK
 CONTACT : COPPER ALLOY
- ② FINISH CONTACT : Ni 1.3~4μm ALL OVER UNDER PL.
 Pd-Ni PL. 1μm MIN. AT CONTACT AREA
 Au FLASH PL. 0.05~0.127μm
 AT CONTACT AREA
 TIN PL. 2~5μm AT LEAD AREA
- ③ MATERIAL HOUSING : 6T NYLON, UL94V-0
 COLOR ; BLACK
 CONTACT : Cu-Ni-Si ALLOY
- ④ FINISH CONTACT : Ni 2μm MIN. ALL OVER UNDER PL
 Au PL. 0.3μm MIN. AT CONTACT AREA
 TIN PL. 2μm MIN. AT LEAD AREA

鉛フリー
 LEAD FREE

④	③	32.7	28.7	25	10	1-1123688-7
②	①	32.7	28.7	25	10	1123688-7
②	①	22.7	18.7	15	6	1123688-3
FINISH	MATERIAL	C	B	A	N (POS)	P/N

THIS DRAWING IS A CONTROLLED DOCUMENT.

DIMENSIONS: 単位: 耗 mm	TOLERANCES UNLESS OTHERWISE SPECIFIED: 一般公差
0 PLC ± ±0.15	1 PLC ± ±3'
2 PLC ± ±	3 PLC ± ±
4 PLC ± ±	ANGLES ± ±

MATERIAL 材料 SEE TABLE
 FINISH 仕上 SEE TABLE

DWN	T. KUSUHARA	12FEB98
CHK	I. ENOMOTO	12FEB98
APVD	I. ENOMOTO	12FEB98
PRODUCT SPEC	製品規格	108-5599
APPLICATION SPEC	取付適用規格	
WEIGHT		

WIRE RANGE 抱合電線断面積	INSULATION DIA 被覆外径	TE Connectivity	
NAME 名称		RECEPTACLE ASSEMBLY 2.5mm PITCH BATTERY CONN (10POS.)	
SIZE	CAGE CODE	DRAWING NO 番号	RESTRICTED TO
A3	00779	C-1123688	
CUSTOMER DRAWING		SCALE 尺度 2:1	SHEET 1 OF 1
		REV D1	