



Chipsmall Limited consists of a professional team with an average of over 10 year of expertise in the distribution of electronic components. Based in Hongkong, we have already established firm and mutual-benefit business relationships with customers from,Europe,America and south Asia,supplying obsolete and hard-to-find components to meet their specific needs.

With the principle of “Quality Parts,Customers Priority,Honest Operation,and Considerate Service”,our business mainly focus on the distribution of electronic components. Line cards we deal with include Microchip,ALPS,ROHM,Xilinx,Pulse,ON,Everlight and Freescale. Main products comprise IC,Modules,Potentiometer,IC Socket,Relay,Connector.Our parts cover such applications as commercial,industrial, and automotives areas.

We are looking forward to setting up business relationship with you and hope to provide you with the best service and solution. Let us make a better world for our industry!



## Contact us

Tel: +86-755-8981 8866 Fax: +86-755-8427 6832

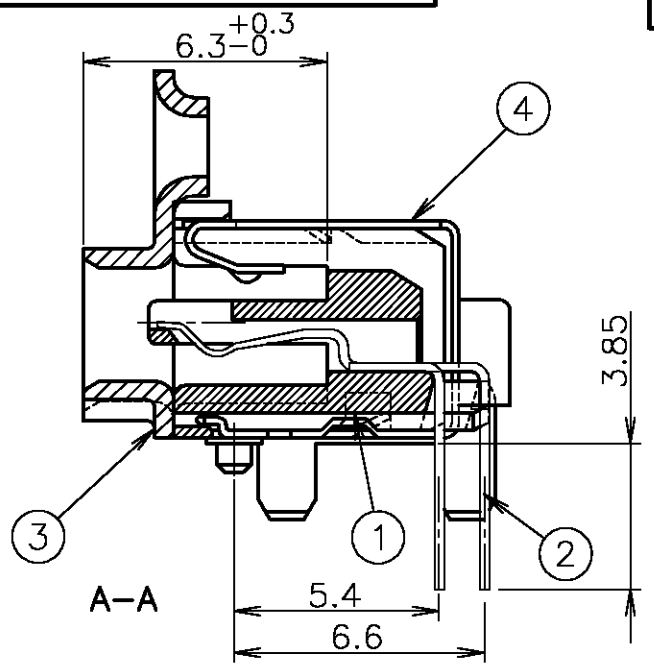
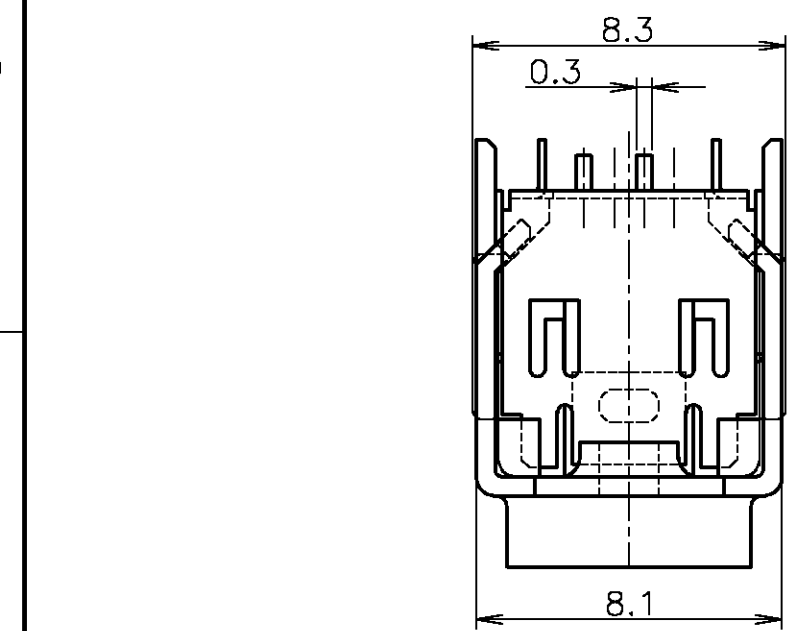
Email & Skype: info@chipsmall.com Web: www.chipsmall.com

Address: A1208, Overseas Decoration Building, #122 Zhenhua RD., Futian, Shenzhen, China

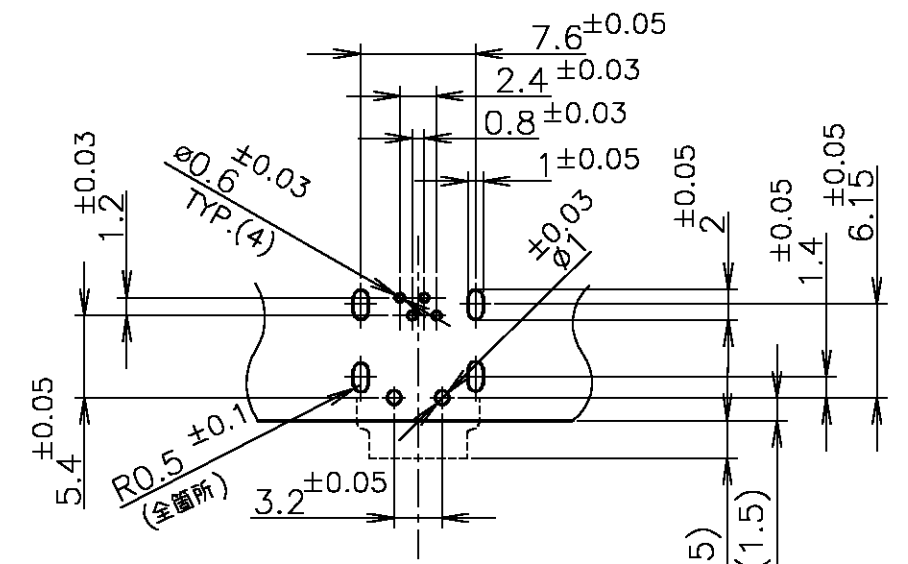
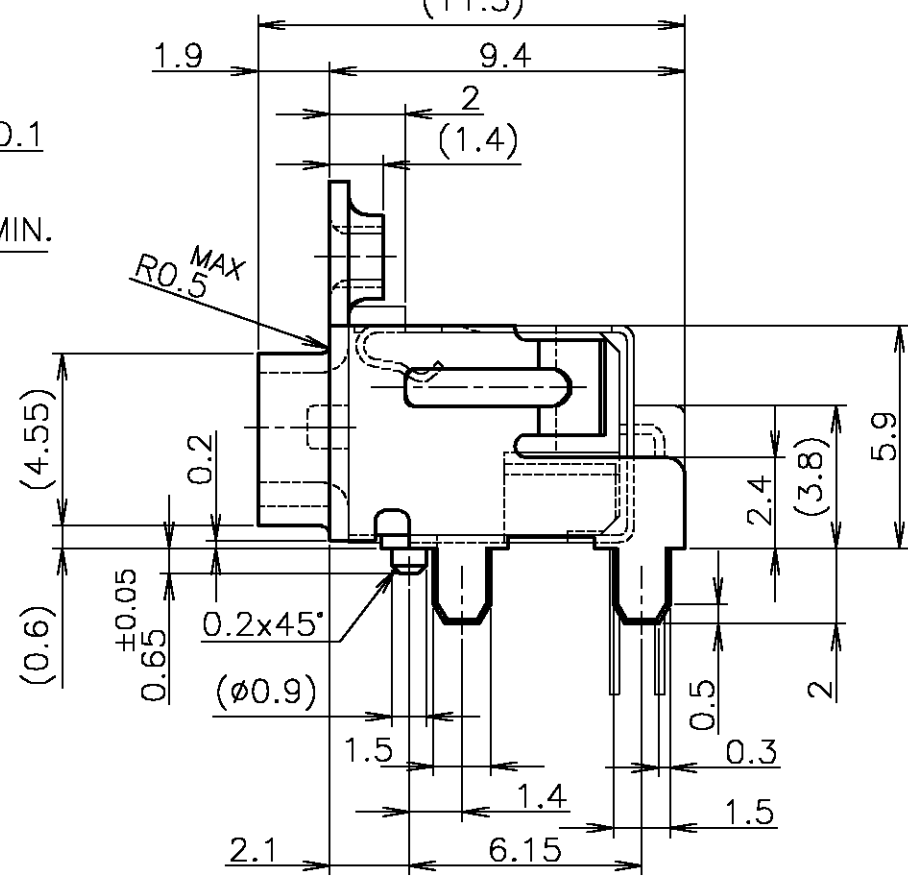
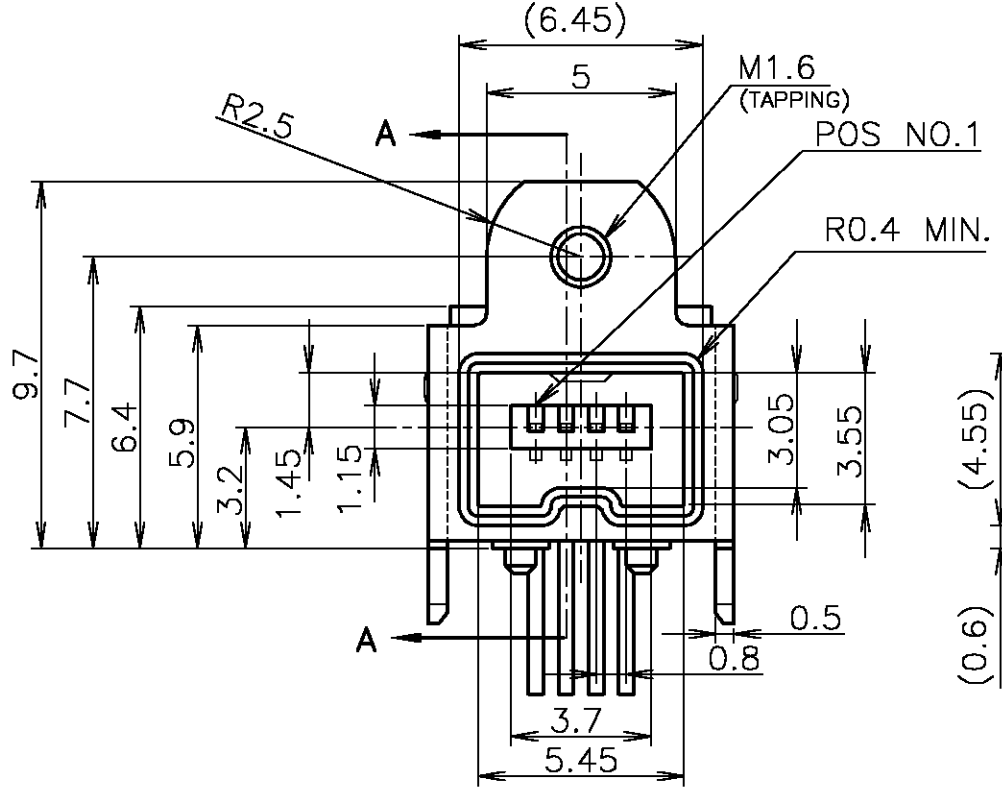


THIS DRAWING IS UNPUBLISHED. RELEASED FOR PUBLICATION JUL, 1996.  
 © COPYRIGHT 1996 BY TYCO ELECTRONICS CORPORATION. ALL RIGHTS RESERVED.

LOC	DIST	REVISIONS					
J	/	P	LTR	DESCRIPTION	DATE	DWN	APVD
		A	REVISED	FJB0-0366-03	15JAN04	J.T	H.M

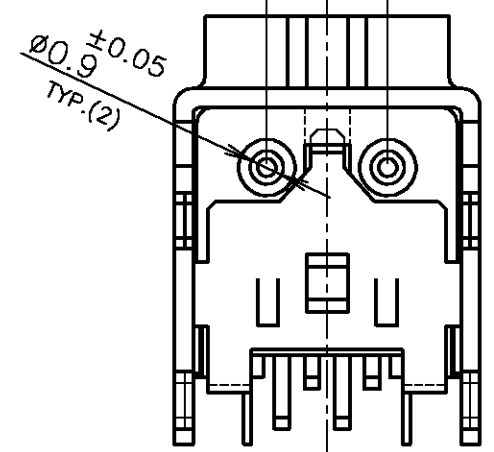


-1: 本図  
AS SHOWN



推奨基板レイアウト  
(SCALE 2:1) (1.6±0.1THK)

- 1. M1.6 ビス締め部推奨トルク; 19.6N・cm(2kgf・cm)
- 1. M1.6 TAP; 19.6N・cm(2kgf・cm) MAX.



鉛フリー  
LEAD FREE

NO.	NAME	MATERIAL	FINISH
④	BACK SHELL	りん青銅 PHOS-BRO	TIN: 0.002mm
③	FRONT SHELL	黄銅 BRASS	TIN: 0.002mm
②	CONTACT	銅合金 COPPER ALLOY	Ni UNDER PLATING: 0.00127mm MIN. CONTACT AREA: Au 0.0003mm MIN. SOLDERING AREA: TIN 0.002mm
①	HOUSING	6T ナイロン (UL94V-0)	BLACK

THIS DRAWING IS A CONTROLLED DOCUMENT.

DWN	H.HOSHINO	14APR98
CHK	J.TANIGAWA	14APR98
APVD	S.KUBOUCHI	14APR98

PRODUCT SPEC 製品規格  
APPLICATION SPEC 取付適用規格

tyco Electronics Tyco Electronics AMP K.K. Kawasaki, Japan

NAME 名称 REC HEADER 4POS DIP TYPE  
IEEE 1394 AV CONNECTOR (パネル取付タイプ)

SIZE	CAGE CODE	DRAWING NO	RESTRICTED TO
A3	00779	C-1123843	NO

SCALE 尺度 5:1 SHEET 1 OF 1 REV A