



Chipsmall Limited consists of a professional team with an average of over 10 year of expertise in the distribution of electronic components. Based in Hongkong, we have already established firm and mutual-benefit business relationships with customers from,Europe,America and south Asia,supplying obsolete and hard-to-find components to meet their specific needs.

With the principle of “Quality Parts,Customers Priority,Honest Operation,and Considerate Service”,our business mainly focus on the distribution of electronic components. Line cards we deal with include Microchip,ALPS,ROHM,Xilinx,Pulse,ON,Everlight and Freescale. Main products comprise IC,Modules,Potentiometer,IC Socket,Relay,Connector.Our parts cover such applications as commercial,industrial, and automotives areas.

We are looking forward to setting up business relationship with you and hope to provide you with the best service and solution. Let us make a better world for our industry!



## Contact us

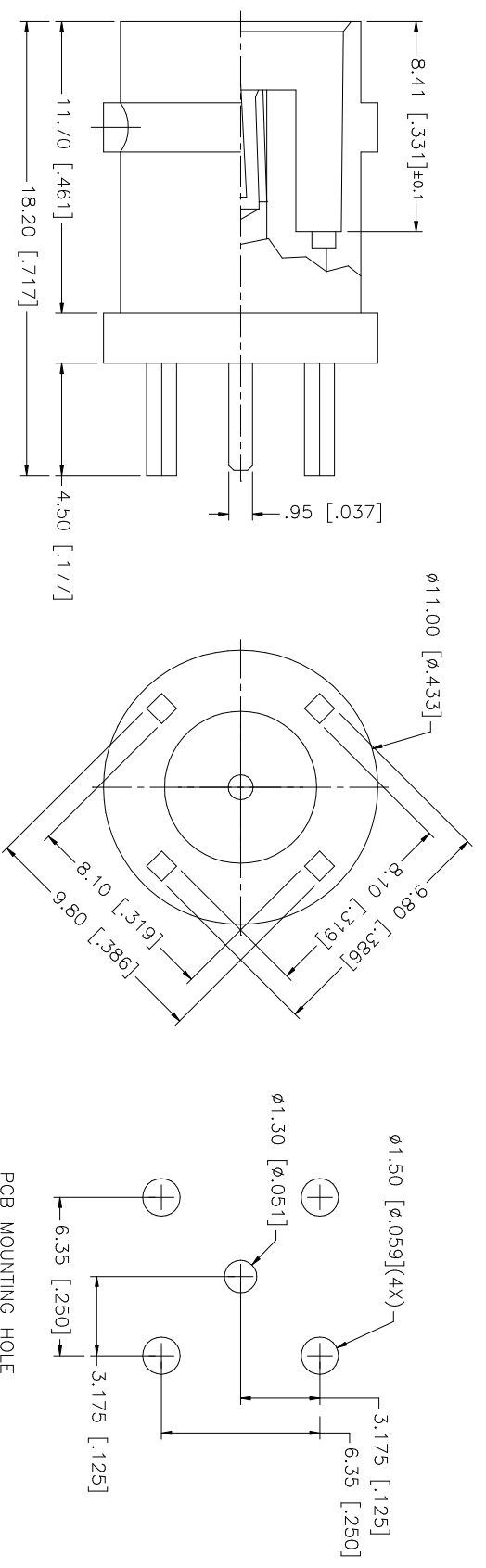
Tel: +86-755-8981 8866 Fax: +86-755-8427 6832

Email & Skype: info@chipsmall.com Web: www.chipsmall.com

Address: A1208, Overseas Decoration Building, #122 Zhenhua RD., Futian, Shenzhen, China



REV.	DATE	DESCRIPTION
A	01/06/03	UPDATE DRAWING FORMAT



QTY	FINISH	MATERIAL	DESCRIPTION
1	NICKEL	BRASS	LOCK RING
1	GOLD	PHOS. BRONZE	CONTACT PIN
1	NATURAL	TEFLON	INSULATOR
1	NICKEL	BRASS	BODY

UNLESS OTHERWISE SPECIFIED DIMENSIONS ARE IN INCHES AND FRACTIONS THEREOF SHALL BE IN MILLIMETERS FOR MILLIMETERS ARE:	APPROVALS	DATE
UNLESS OTHERWISE SPECIFIED DIMENSIONS ARE IN INCHES AND FRACTIONS THEREOF SHALL BE IN MILLIMETERS FOR MILLIMETERS ARE: TOLERANCES FOR MILLIMETERS ARE: 0.5 - 8mm ± 0.20mm 8 - 30mm ± 0.40mm 30 - 120mm ± 0.50mm UNLESS OTHERWISE SPECIFIED TOLERANCES FOR INCHES ARE: .020 - .315 = ± 0.007" .315 - 1.180 = ± 0.015" 1.180 - 4.724 = ± 0.020"	DRAWN G.R.S. CHECKED ISSUED	01/06/03
DO NOT SCALE DRAWING	CAD FILE C:/112/112404.DWG	DWG. NO. 112404.DWG

REV.	DATE	DESCRIPTION
A	01/06/03	UPDATE DRAWING FORMAT

REV.	DATE	DESCRIPTION
A	01/06/03	UPDATE DRAWING FORMAT

REV.	DATE	DESCRIPTION
A	01/06/03	UPDATE DRAWING FORMAT

REV.	DATE	DESCRIPTION
A	01/06/03	UPDATE DRAWING FORMAT

**Amphenol Connex**

BNC P.C. MOUNT RECEIPT JACK  
50 ohm TF-4 POST

112404

REV. A SIZE A SCALE NA