



Chipsmall Limited consists of a professional team with an average of over 10 year of expertise in the distribution of electronic components. Based in Hongkong, we have already established firm and mutual-benefit business relationships with customers from,Europe,America and south Asia,supplying obsolete and hard-to-find components to meet their specific needs.

With the principle of “Quality Parts,Customers Priority,Honest Operation,and Considerate Service”,our business mainly focus on the distribution of electronic components. Line cards we deal with include Microchip,ALPS,ROHM,Xilinx,Pulse,ON,Everlight and Freescale. Main products comprise IC,Modules,Potentiometer,IC Socket,Relay,Connector.Our parts cover such applications as commercial,industrial, and automotives areas.

We are looking forward to setting up business relationship with you and hope to provide you with the best service and solution. Let us make a better world for our industry!



Contact us

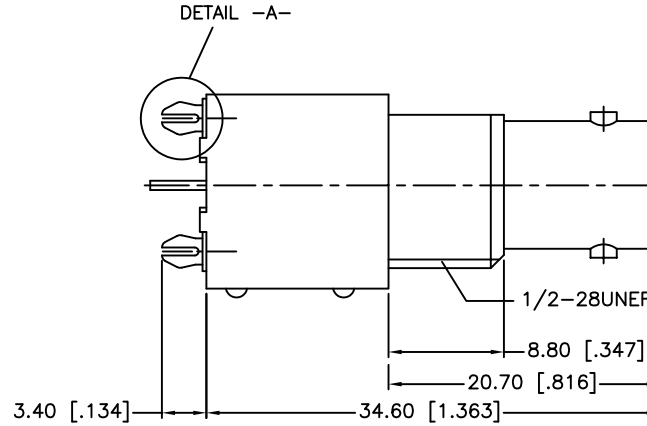
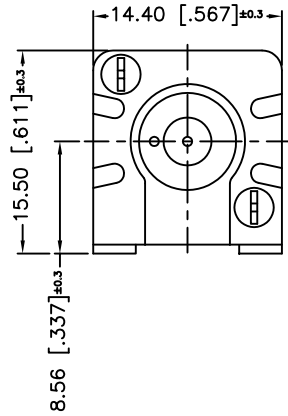
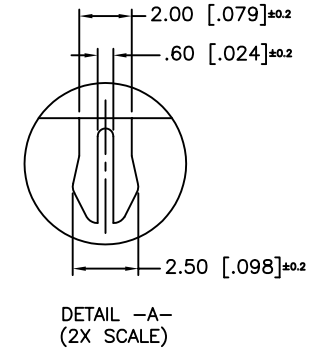
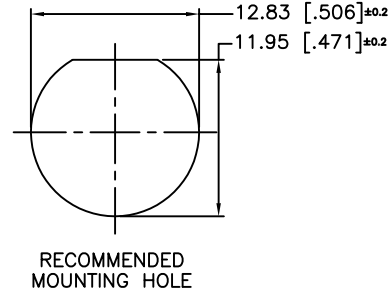
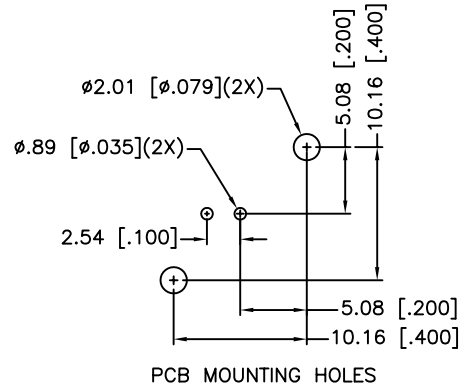
Tel: +86-755-8981 8866 Fax: +86-755-8427 6832

Email & Skype: info@chipsmall.com Web: www.chipsmall.com

Address: A1208, Overseas Decoration Building, #122 Zhenhua RD., Futian, Shenzhen, China



REV.	DATE	ECR NO	DESCRIPTION
A	02/24/04	--	UPDATE DRAWING FORMAT/MODIFY MOUNT POSTS
B	02/01/10	2012	HARDWARES REMOVED



NOTE:
1. MAX. PANEL THICKNESS = 5mm

DESCRIPTION	MATERIAL	FINISH	QTY	UNLESS OTHERWISE SPECIFIED DIMENSIONS ARE IN MILLIMETERS. DIMENSIONS IN [] ARE IN INCHES AND FOR CUSTOMER REFERENCE ONLY.	APPROVALS	DATE	Amphenol Connex				
5	MOUNTING POST	BRASS	NICKEL	1	UNLESS OTHERWISE SPECIFIED TOLERANCES FOR MILLIMETERS ARE: 0.5 - 8mm ± 0.20mm 8 - 30mm ± 0.40mm 30 - 120mm ± 0.50mm UNLESS OTHERWISE SPECIFIED TOLERANCES FOR INCHES ARE: .020 - .315 = ± 0.007" .315 - 1.180 = ± 0.015" 1.180 - 4.724 = ± 0.020" DO NOT SCALE DRAWING	DRAWN CLEMENT CHECKED ISSUED SHEET 1 OF 1 CAD FILE C:/112/112409.DWG	02/01/10	PART DESCRIPTION			
4	CONTACT PIN	PHOS. BRONZE	GOLD	1		BNC STRAIGHT PC MOUNT RECEPT. JACK					
3	INSULATOR	P.P.	NATURAL	1		PART NO.					
2	BODY	ZINC DIECAST	NICKEL	1		112409					
1	HOUSING	P.P.	WHITE	1		DWG. NO. 112409.DWG					
					REV. B	SIZE A	SCALE NA				