



Chipsmall Limited consists of a professional team with an average of over 10 year of expertise in the distribution of electronic components. Based in Hongkong, we have already established firm and mutual-benefit business relationships with customers from,Europe,America and south Asia,supplying obsolete and hard-to-find components to meet their specific needs.

With the principle of “Quality Parts,Customers Priority,Honest Operation,and Considerate Service”,our business mainly focus on the distribution of electronic components. Line cards we deal with include Microchip,ALPS,ROHM,Xilinx,Pulse,ON,Everlight and Freescale. Main products comprise IC,Modules,Potentiometer,IC Socket,Relay,Connector.Our parts cover such applications as commercial,industrial, and automotives areas.

We are looking forward to setting up business relationship with you and hope to provide you with the best service and solution. Let us make a better world for our industry!



Contact us

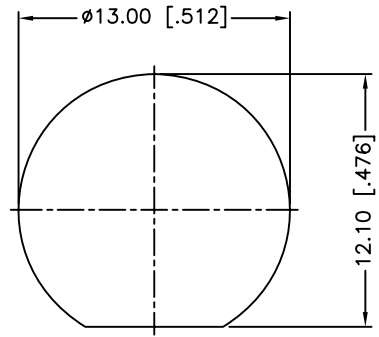
Tel: +86-755-8981 8866 Fax: +86-755-8427 6832

Email & Skype: info@chipsmall.com Web: www.chipsmall.com

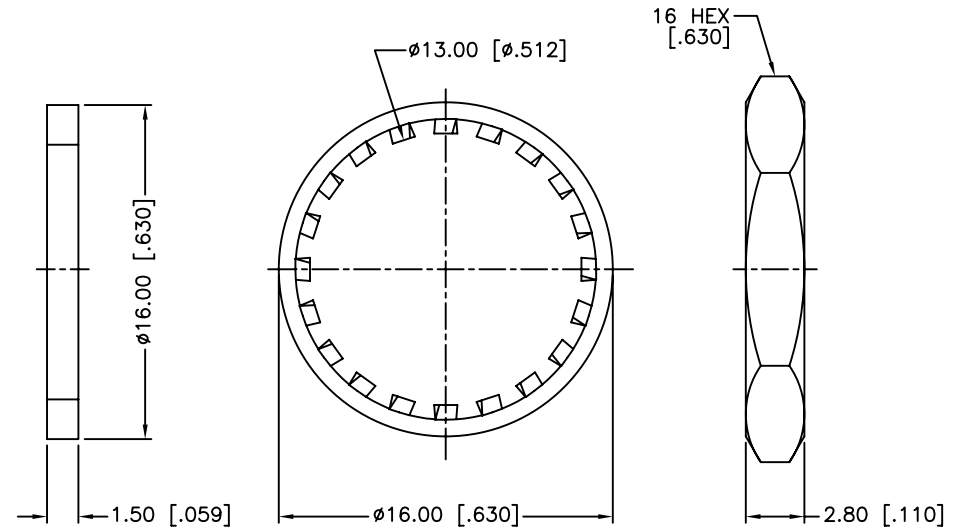
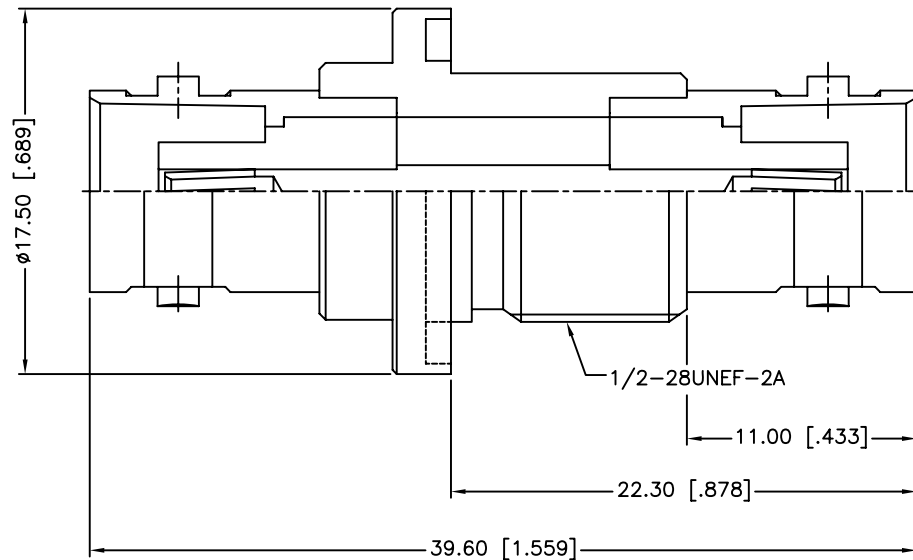
Address: A1208, Overseas Decoration Building, #122 Zhenhua RD., Futian, Shenzhen, China



REV.	DATE	ECR NO.	DESCRIPTION
NC	05/22/03	XXXXXX	INITIAL RELEASE
A	08/16/13	2514	UPDATE FORMAT, ADD ELECTRICAL/MECHANICAL NOTES



RECOMMENDED MOUNTING HOLE



1. IMPEDANCE: 50 OHM
2. FREQUENCY RANGE: 0-4 GHZ
3. DIELECTRIC WITHSTANDING VOLTAGE: 1500 VRMS, MIN.
4. DURABILITY: 500 CYCLES MIN.
5. TEMPERATURE RANGE: -40°C TO +85°C

QTY	DESCRIPTION	MATERIAL	FINISH
1	HOUSING	BRASS	NICKEL
2	BODY	BRASS	NICKEL
2	INSULATOR	DELTRIN	NATURAL
1	CONTACT PIN	PHOSPHOR BRONZE	GOLD
1	GASKET	RUBBER	RED
1	LOCK WASHER	BRASS	NICKEL
1	HEX NUT	BRASS	NICKEL

UNLESS OTHERWISE SPECIFIED DIMENSIONS ARE IN MILLIMETERS. DIMENSIONS IN [] ARE IN INCHES AND FOR CUSTOMER REFERENCE ONLY.
 UNLESS OTHERWISE SPECIFIED
 TOLERANCES FOR MILLIMETERS ARE:
 <0.5 ± 0.05mm
 0.5 - 6mm ± 0.10mm
 6 - 30mm ± 0.20mm
 30 - 120mm ± 0.30mm
 ANGLES ± 1°
 UNLESS OTHERWISE SPECIFIED
 TOLERANCES FOR INCHES ARE:
 <.020 ± 0.002"
 .020 - .236 ± 0.004"
 .236 - 1.180 ± 0.007"
 1.180 - 4.724 ± 0.012"
 ANGLES ± 1°
 DO NOT SCALE DRAWING

APPROVALS	DATE
DRAWN M.ZHANG	08/16/13
CHECKED	
ISSUED	
SHEET 1 OF 1	
CAD FILE	C:/CONNEX/112433.DWG

Amphenol Connex			
PART DESCRIPTION BNC FEMALE TO FEMALE BULKHEAD ADAPTER			
PART NO. 112433			
DWG. NO.	112433.DWG	REV.	A
SIZE	A	SCALE	NA