



Chipsmall Limited consists of a professional team with an average of over 10 year of expertise in the distribution of electronic components. Based in Hongkong, we have already established firm and mutual-benefit business relationships with customers from,Europe,America and south Asia,supplying obsolete and hard-to-find components to meet their specific needs.

With the principle of “Quality Parts,Customers Priority,Honest Operation,and Considerate Service”,our business mainly focus on the distribution of electronic components. Line cards we deal with include Microchip,ALPS,ROHM,Xilinx,Pulse,ON,Everlight and Freescale. Main products comprise IC,Modules,Potentiometer,IC Socket,Relay,Connector.Our parts cover such applications as commercial,industrial, and automotives areas.

We are looking forward to setting up business relationship with you and hope to provide you with the best service and solution. Let us make a better world for our industry!



Contact us

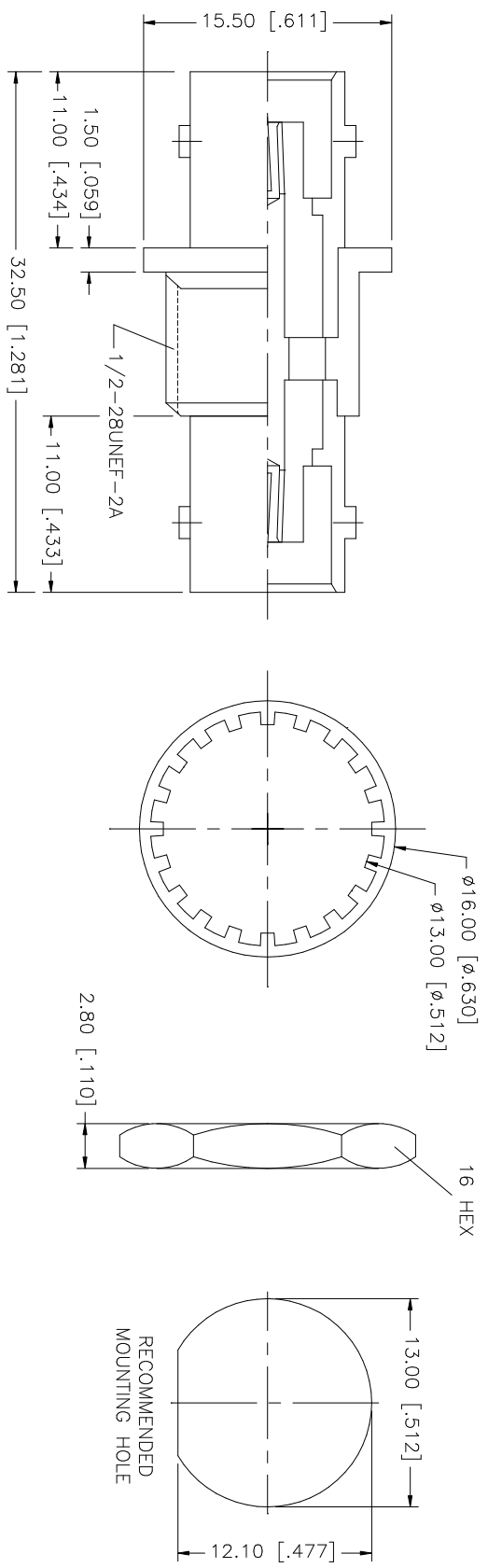
Tel: +86-755-8981 8866 Fax: +86-755-8427 6832

Email & Skype: info@chipsmall.com Web: www.chipsmall.com

Address: A1208, Overseas Decoration Building, #122 Zhenhua RD., Futian, Shenzhen, China



REV.	DATE	DESCRIPTION
NC	01/22/04	INITIAL RELEASE



NO.	DESCRIPTION	MATERIAL	FINISH	QTY	UNLESS OTHERWISE SPECIFIED DIMENSIONS ARE IN INCHES AND FOR CUSTOMER REFERENCE ONLY. TOLERANCES FOR MILLIMETERS ARE: UNLESS OTHERWISE SPECIFIED 0.5 - 8mm ± 0.20mm 8 - 30mm ± 0.40mm 30 - 120mm ± 0.50mm UNLESS OTHERWISE SPECIFIED DIMENSIONS FOR INCHES ARE: UNLESS OTHERWISE SPECIFIED .020 - .315 = ± 0.007" .315 - 1.180 = ± 0.015" 1.180 - 4.724 = ± 0.020"	DO NOT SCALE DRAWING	CAD FILE	APPROVALS	DATE	PART DESCRIPTION			
8									<p style="text-align: center;">Amphenol Connex</p> <p style="text-align: center;">PART DESCRIPTION</p> <p style="text-align: center;">BNC FEMALE TO FEMALE BULKHEAD ADAPTER (75ohm)</p> <p style="text-align: center;">PART NO. 112438</p>				
7							DRAWN	G.R.S.		01/22/04			
6							CHECKED						
5	HEX NUT	BRASS	NICKEL	1			ISSUED						
4	LOCK WASHER	BRASS	NICKEL	1			SHEET	1 OF 1					
3	CONTACT PIN	PHOS. BRONZE	GOLD	1									
2	INSULATOR	DELRIN	NATURAL	1									
1	BODY	BRASS	NICKEL	1									
	DESCRIPTION	MATERIAL	FINISH	QTY						DWG. NO. 112438.DWG	REV' NC	SIZE A	SCALE NA