



Chipsmall Limited consists of a professional team with an average of over 10 year of expertise in the distribution of electronic components. Based in Hongkong, we have already established firm and mutual-benefit business relationships with customers from,Europe,America and south Asia,supplying obsolete and hard-to-find components to meet their specific needs.

With the principle of “Quality Parts,Customers Priority,Honest Operation,and Considerate Service”,our business mainly focus on the distribution of electronic components. Line cards we deal with include Microchip,ALPS,ROHM,Xilinx,Pulse,ON,Everlight and Freescale. Main products comprise IC,Modules,Potentiometer,IC Socket,Relay,Connector.Our parts cover such applications as commercial,industrial, and automotives areas.

We are looking forward to setting up business relationship with you and hope to provide you with the best service and solution. Let us make a better world for our industry!



Contact us

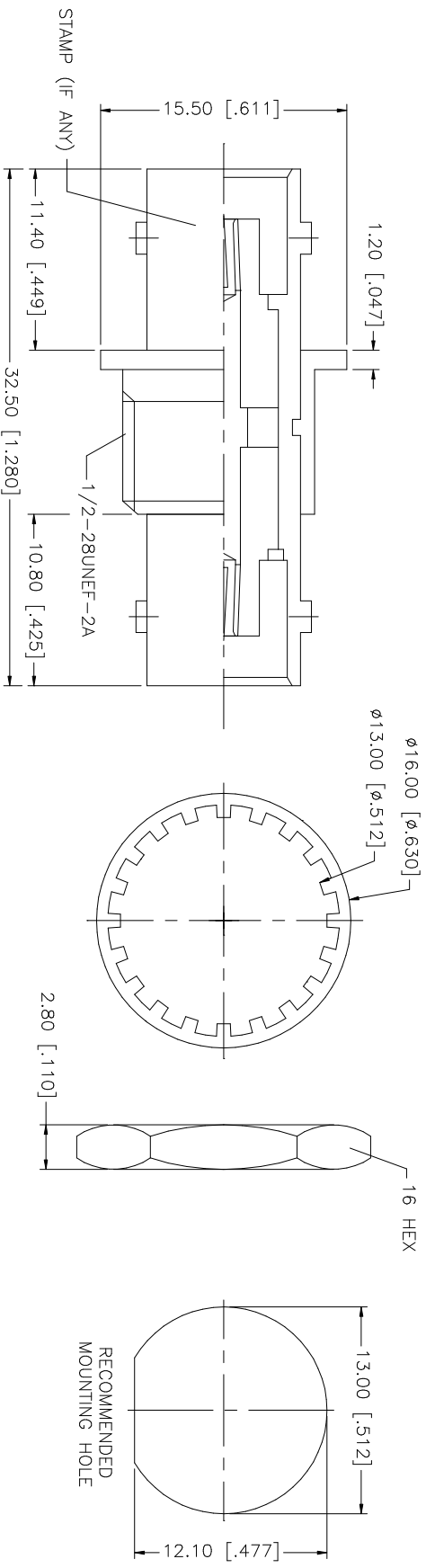
Tel: +86-755-8981 8866 Fax: +86-755-8427 6832

Email & Skype: info@chipsmall.com Web: www.chipsmall.com

Address: A1208, Overseas Decoration Building, #122 Zhenhua RD., Futian, Shenzhen, China



REV.	DATE	DESCRIPTION
A	04/05/03	UPDATE DRAWING FORMAT



NOTE:
1. MAX. PANEL THICKNESS = 5.5mm

QTY	FINISH	MATERIAL	DESCRIPTION
1	NICKEL	BRASS	HEX NUT
1	NICKEL	BRASS	LOCK WASHER
1	NICKEL	BRASS	LOCK RING
1	GOLD	PHOS. BRONZE	CONTACT PIN
1	NATURAL	DELIN	INSULATOR
1	WHITE	DELIN	INSULATOR
1	NICKEL	BRASS	BODY

UNLESS OTHERWISE SPECIFIED DIMENSIONS ARE IN INCHES AND FOR CUSTOMER REFERENCE ONLY.	UNLESS OTHERWISE SPECIFIED DIMENSIONS ARE IN MILLIMETERS PER TOLERANCES FOR MILLIMETERS ARE:
0.5 - 8mm ± 0.20mm	0.5 - 8mm ± 0.20mm
8 - 30mm ± 0.40mm	8 - 30mm ± 0.40mm
30 - 120mm ± 0.50mm	30 - 120mm ± 0.50mm

UNLESS OTHERWISE SPECIFIED DIMENSIONS FOR INCHES ARE:	UNLESS OTHERWISE SPECIFIED DIMENSIONS FOR MILLIMETERS ARE:
.020 - .315 = ± 0.007"	.020 - .315 = ± 0.007"
.315 - 1.180 = ± 0.015"	.315 - 1.180 = ± 0.015"
1.180 - 4.724 = ± 0.020"	1.180 - 4.724 = ± 0.020"

APPROVALS	DATE
DRAWN G.R.S.	04/05/03
CHECKED	
ISSUED	

PART NO.	PART DESCRIPTION
112443	BNC FEMALE TO FEMALE BULKHEAD ISOLATED ADAPTER - 50 ohm

CAD FILE	DWG. NO.	REV.	SIZE	SCALE
C:/112/112443.DWG	112443.DWG	A	A	NA

Amphenol **Comnex**