



Chipsmall Limited consists of a professional team with an average of over 10 year of expertise in the distribution of electronic components. Based in Hongkong, we have already established firm and mutual-benefit business relationships with customers from,Europe,America and south Asia,supplying obsolete and hard-to-find components to meet their specific needs.

With the principle of “Quality Parts,Customers Priority,Honest Operation,and Considerate Service”,our business mainly focus on the distribution of electronic components. Line cards we deal with include Microchip,ALPS,ROHM,Xilinx,Pulse,ON,Everlight and Freescale. Main products comprise IC,Modules,Potentiometer,IC Socket,Relay,Connector.Our parts cover such applications as commercial,industrial, and automotives areas.

We are looking forward to setting up business relationship with you and hope to provide you with the best service and solution. Let us make a better world for our industry!



Contact us

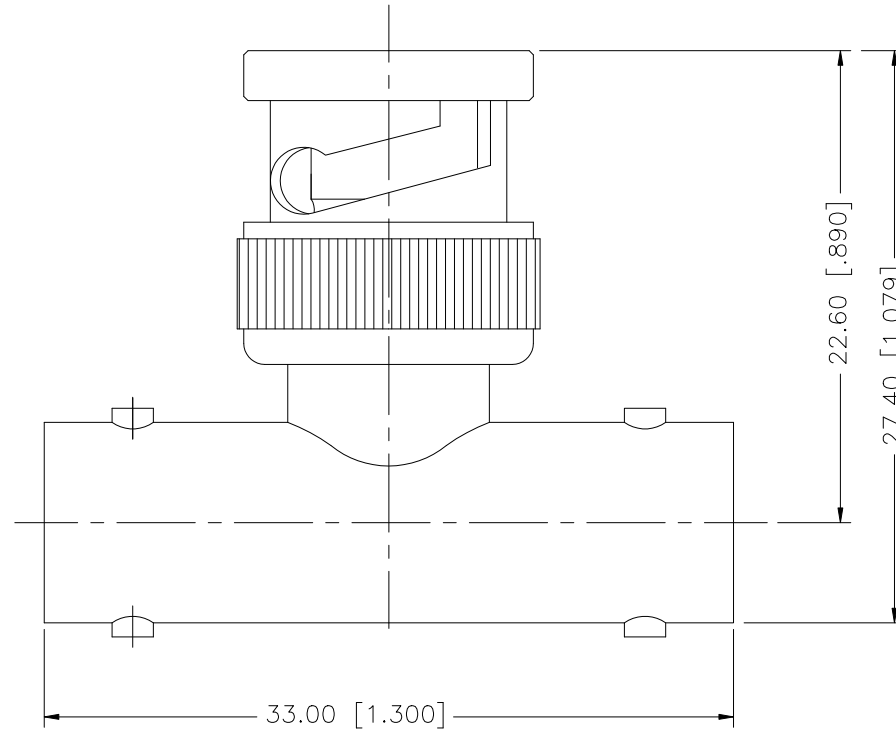
Tel: +86-755-8981 8866 Fax: +86-755-8427 6832

Email & Skype: info@chipsmall.com Web: www.chipsmall.com

Address: A1208, Overseas Decoration Building, #122 Zhenhua RD., Futian, Shenzhen, China



REV.	DATE	DESCRIPTION
NC	10/16/02	INITIAL RELEASE
A	05/01/04	UPDATE DRAWING FORMAT



8				<small>UNLESS OTHERWISE SPECIFIED DIMENSIONS ARE IN MILLIMETERS; DIMENSIONS IN [] ARE IN INCHES AND FOR CUSTOMER REFERENCE ONLY.</small> <small>UNLESS OTHERWISE SPECIFIED TOLERANCES FOR MILLIMETERS ARE:</small> 0.5 - 8mm ± 0.20mm 8 - 30mm ± 0.40mm 30 - 120mm ± 0.50mm <small>UNLESS OTHERWISE SPECIFIED TOLERANCES FOR INCHES ARE:</small> .020 - .315 = ± 0.007" .315 - 1.180 = ± 0.015" 1.180 - 4.724 = ± 0.020"	APPROVALS	DATE	<h1 style="color: blue;">Amphenol Connex</h1>		
7					DRAWN	G.R.S.		05/01/04	<small>PART DESCRIPTION</small> BNC "T" ADAPTER / JACK-PLUG-JACK 75ohm
6					CHECKED				
5					ISSUED				
4	CONTACT PIN	BRASS	GOLD		1	SHEET		1 OF 1	<small>PART NO.</small> 112462
3	CONTACT PIN	PHOS. BRONZE	GOLD	1	<small>CAD FILE</small> C:/112/112462.DWG				
2	INSULATOR	DELTRIN	NATURAL	1	<small>DWG. NO.</small> 112462.DWG		<small>REV.</small> A		
1	BODY	DIE CAST	NICKEL	1	<small>SIZE</small> A				
	DESCRIPTION	MATERIAL	FINISH	QTY	<small>SCALE</small> NA				
					<small>DO NOT SCALE DRAWING</small>				