



Chipsmall Limited consists of a professional team with an average of over 10 year of expertise in the distribution of electronic components. Based in Hongkong, we have already established firm and mutual-benefit business relationships with customers from,Europe,America and south Asia,supplying obsolete and hard-to-find components to meet their specific needs.

With the principle of “Quality Parts,Customers Priority,Honest Operation,and Considerate Service”,our business mainly focus on the distribution of electronic components. Line cards we deal with include Microchip,ALPS,ROHM,Xilinx,Pulse,ON,Everlight and Freescale. Main products comprise IC,Modules,Potentiometer,IC Socket,Relay,Connector.Our parts cover such applications as commercial,industrial, and automotives areas.

We are looking forward to setting up business relationship with you and hope to provide you with the best service and solution. Let us make a better world for our industry!



Contact us

Tel: +86-755-8981 8866 Fax: +86-755-8427 6832

Email & Skype: info@chipsmall.com Web: www.chipsmall.com

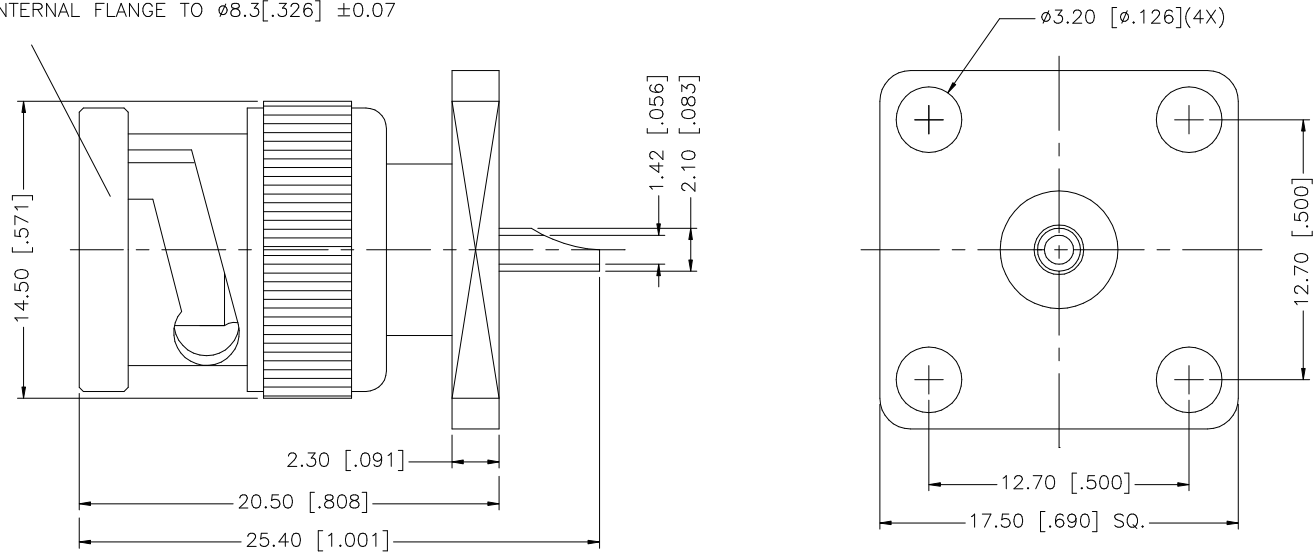
Address: A1208, Overseas Decoration Building, #122 Zhenhua RD., Futian, Shenzhen, China



REV.	DATE	DESCRIPTION
NC	03/28/00	INITIAL RELEASE
A	01/02/07	UPDATE DRAWING FORMAT

NOTE:

FLARE INTERNAL FLANGE TO $\varnothing 8.3 [.326] \pm 0.07$



REV.	DATE	DESCRIPTION
8		
7		
6		
5		
4		
3	CONTACT PIN	BRASS GOLD 1
2	INSULATOR	TEFLON NATURAL 1
1	BODY	BRASS NICKEL 1
	DESCRIPTION	MATERIAL FINISH QTY

UNLESS OTHERWISE SPECIFIED DIMENSIONS ARE IN MILLIMETERS. DIMENSIONS IN [] ARE IN INCHES AND FOR CUSTOMER REFERENCE ONLY.		APPROVALS	DATE
UNLESS OTHERWISE SPECIFIED TOLERANCES FOR MILLIMETERS ARE: 0.5 - 8mm \pm 0.20mm 8 - 30mm \pm 0.40mm 30 - 120mm \pm 0.50mm		DRAWN G.R.S.	01/02/07
UNLESS OTHERWISE SPECIFIED TOLERANCES FOR INCHES ARE: .020 - .315 \pm 0.007" .315 - 1.180 \pm 0.015" 1.180 - 4.724 \pm 0.020"		CHECKED	
DO NOT SCALE DRAWING		ISSUED	
		SHEET 1 OF 1	
		CAD FILE C:/112/112653.DWG	

Amphenol Connex			
PART DESCRIPTION BNC PANEL PLUG - 4 HOLE FLANGE			
PART NO. 112653			
DWG. NO.	112653.DWG	REV. A	SCALE NA