



Chipsmall Limited consists of a professional team with an average of over 10 year of expertise in the distribution of electronic components. Based in Hongkong, we have already established firm and mutual-benefit business relationships with customers from,Europe,America and south Asia,supplying obsolete and hard-to-find components to meet their specific needs.

With the principle of "Quality Parts,Customers Priority,Honest Operation,and Considerate Service",our business mainly focus on the distribution of electronic components. Line cards we deal with include Microchip,ALPS,ROHM,Xilinx,Pulse,ON,Everlight and Freescale. Main products comprise IC,Modules,Potentiometer,IC Socket,Relay,Connector.Our parts cover such applications as commercial,industrial, and automotives areas.

We are looking forward to setting up business relationship with you and hope to provide you with the best service and solution. Let us make a better world for our industry!



Contact us

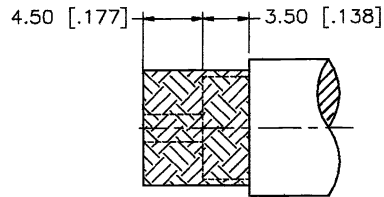
Tel: +86-755-8981 8866 Fax: +86-755-8427 6832

Email & Skype: info@chipsmall.com Web: www.chipsmall.com

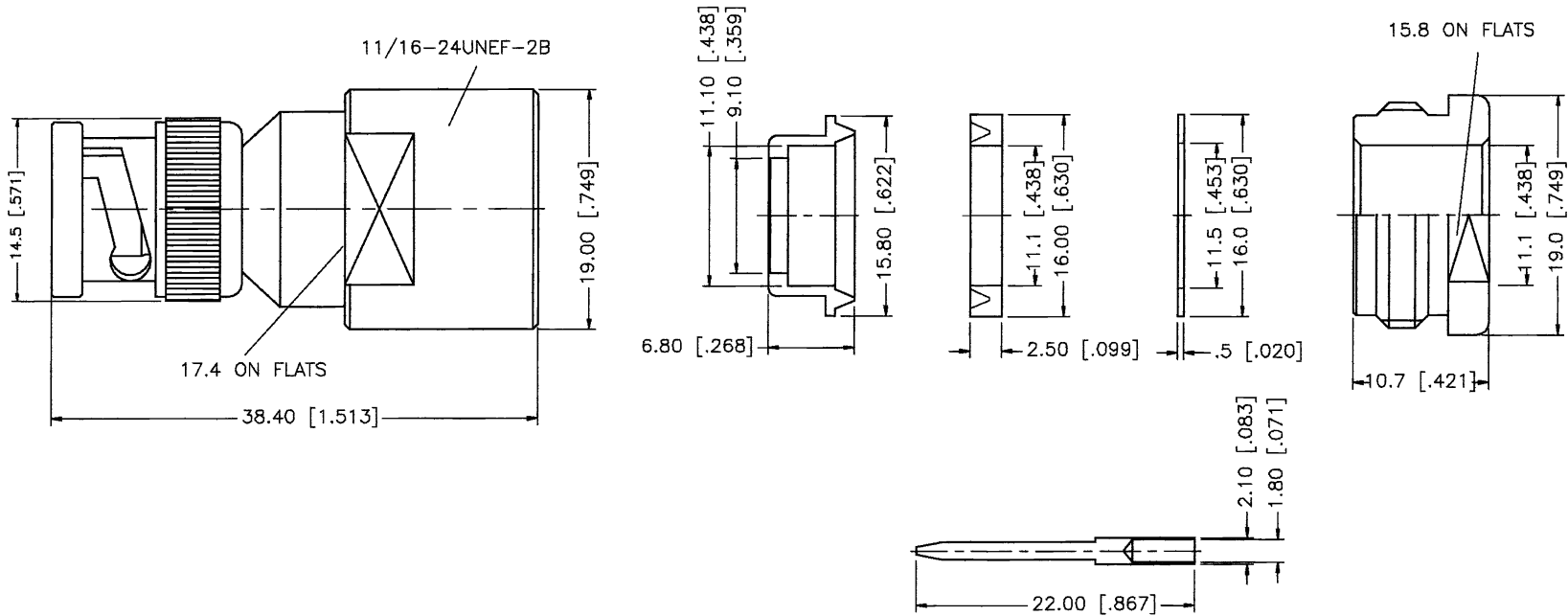
Address: A1208, Overseas Decoration Building, #122 Zhenhua RD., Futian, Shenzhen, China




REV.	DATE	DESCRIPTION
NC	07/30/00	INITIAL RELEASE



RECOMMENDED
CABLE STRIPPING DIM'S



DESCRIPTION	MATERIAL	FINISH	UNLESS OTHERWISE SPECIFIED DIMENSIONS ARE IN MILLIMETERS	APPROVALS	DATE							
1	BODY	BRASS	NICKEL	DRAWN	G.R.S.					07/30/00	TITLE BNC CLAMP JACK (FOR RG11/U, 14 AWG B 8213, B929L CABLE)	
2	INSULATOR	TEFLON	NATURAL	CHECKED			SIZE A					
3	BRAID CLAMP	BRASS	NICKEL	ISSUED							FSCM NO. 99001	
4	GASKET	SILICONE	RED	UNLESS OTHERWISE SPECIFIED TOLERANCES FOR MILLIMETERS ARE: 0.5-6 = ± 0.2 6-30 = ± 0.4 30-120 = ± 0.6 120-315 = ± 1 315-1000 = ± 1.6 1000-2000 = ± 2.4			SCALE NA		PART NO. 112657		SHEET 1 OF 1	
5	WASHER	BRASS	NICKEL				DIMENSIONS IN [] ARE IN INCHES FOR CUSTOMER REFERENCE ONLY					
6	NUT	BRASS	NICKEL									
7												
8			DO NOT SCALE DRAWING									