



Chipsmall Limited consists of a professional team with an average of over 10 year of expertise in the distribution of electronic components. Based in Hongkong, we have already established firm and mutual-benefit business relationships with customers from,Europe,America and south Asia,supplying obsolete and hard-to-find components to meet their specific needs.

With the principle of "Quality Parts,Customers Priority,Honest Operation,and Considerate Service",our business mainly focus on the distribution of electronic components. Line cards we deal with include Microchip,ALPS,ROHM,Xilinx,Pulse,ON,Everlight and Freescale. Main products comprise IC,Modules,Potentiometer,IC Socket,Relay,Connector.Our parts cover such applications as commercial,industrial, and automotives areas.

We are looking forward to setting up business relationship with you and hope to provide you with the best service and solution. Let us make a better world for our industry!



Contact us

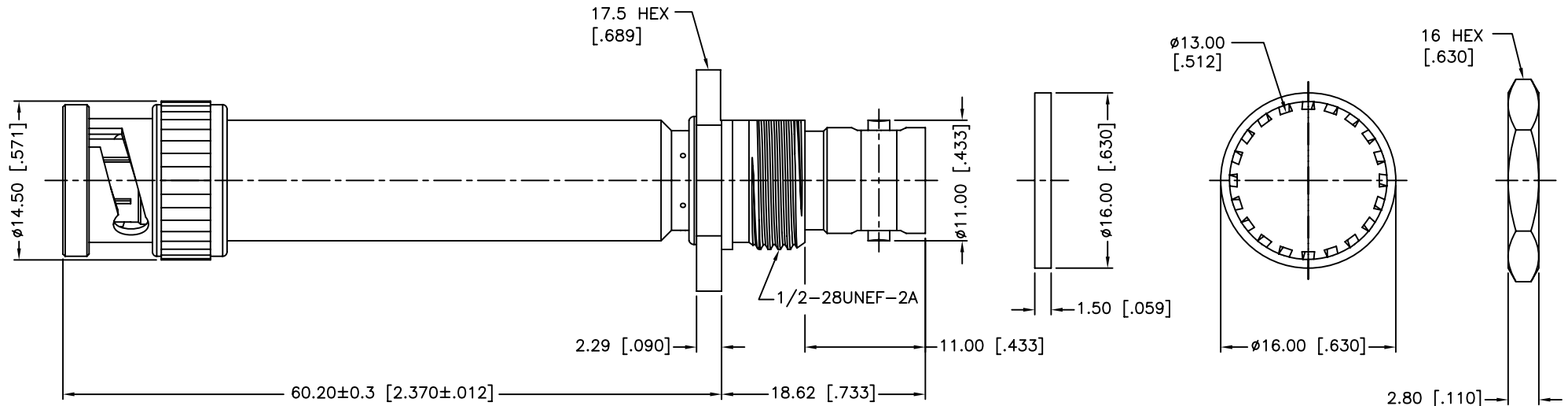
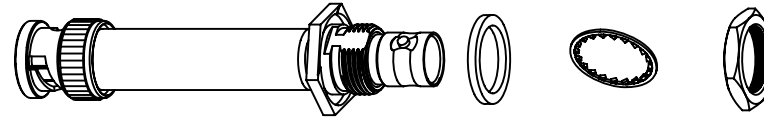
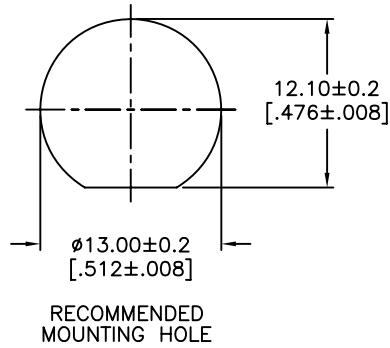
Tel: +86-755-8981 8866 Fax: +86-755-8427 6832

Email & Skype: info@chipsmall.com Web: www.chipsmall.com

Address: A1208, Overseas Decoration Building, #122 Zhenhua RD., Futian, Shenzhen, China



REV.	DATE	ECR NO.	DESCRIPTION
NC	07/15/08	XXXXXX	INITIAL RELEASE
A	05/22/12	2337	UPDATE DRAWING FORMAT



1. IMPEDANCE: 50 OHM
2. FREQUENCY RANGE: DC 0-4 GHZ
3. DIELECTRIC WITHSTANDING VOLTAGE: 1500 VRMS, MIN.
4. DURABILITY: 500 CYCLES MIN.
5. TEMPERATURE RANGE: -65°C TO +165°C

QTY	DESCRIPTION	MATERIAL	FINISH
14	HEX NUT	BRASS	NICKEL
13	LOCK WASHER	BRASS	NICKEL
12	GASKET	RUBBER	RED
11	HOUSING	BRASS	NICKEL
10	INSULATOR	DELFIN	NATURAL
9	CONTACT PIN	BRASS	GOLD
8	CONTACT PIN	PHOSPHOR BRONZE	GOLD
7	WASHER	BRASS	NICKEL
6	SPRING	SK5	NICKEL
5	RETAINER RING	BRASS	NICKEL
4	GASKET	RUBBER	RED
3	INSULATOR	PTFE	NATURAL
2	SHELL	BRASS	NICKEL
1	BODY	BRASS	NICKEL
DESCRIPTION	MATERIAL	FINISH	QTY

UNLESS OTHERWISE SPECIFIED DIMENSIONS ARE IN MILLIMETERS. DIMENSIONS IN [] ARE IN INCHES AND FOR CUSTOMER REFERENCE ONLY.

UNLESS OTHERWISE SPECIFIED TOLERANCES FOR MILLIMETERS ARE:
0.5 - 8mm ± 0.20mm
8 - 30mm ± 0.40mm
30 - 120mm ± 0.50mm

UNLESS OTHERWISE SPECIFIED TOLERANCES FOR INCHES ARE:
.020 - .315 = ± 0.007"
.315 - 1.180 = ± 0.015"
1.180 - 4.724 = ± 0.020"

DO NOT SCALE DRAWING

APPROVALS	DATE
DRAWN M.ZHANG	05/22/12
CHECKED	
ISSUED	
SHEET 1 OF 1	
CAD FILE C:/CONNEX/112667-10.DWG	

Amphenol Connex			
PART DESCRIPTION BNC MALE TO FEMALE BULKHEAD ISOLATED ADAPTER			
PART NO.		112667-10	
DWG. NO.	112667-10.DWG	REV.	A
SIZE	A	SCALE	NA