



Chipsmall Limited consists of a professional team with an average of over 10 year of expertise in the distribution of electronic components. Based in Hongkong, we have already established firm and mutual-benefit business relationships with customers from,Europe,America and south Asia,supplying obsolete and hard-to-find components to meet their specific needs.

With the principle of “Quality Parts,Customers Priority,Honest Operation,and Considerate Service”,our business mainly focus on the distribution of electronic components. Line cards we deal with include Microchip,ALPS,ROHM,Xilinx,Pulse,ON,Everlight and Freescale. Main products comprise IC,Modules,Potentiometer,IC Socket,Relay,Connector.Our parts cover such applications as commercial,industrial, and automotives areas.

We are looking forward to setting up business relationship with you and hope to provide you with the best service and solution. Let us make a better world for our industry!



Contact us

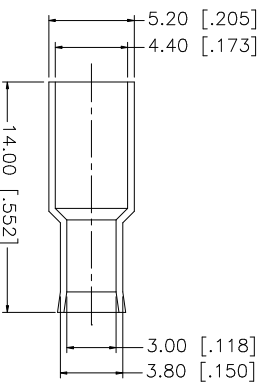
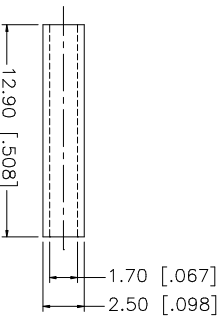
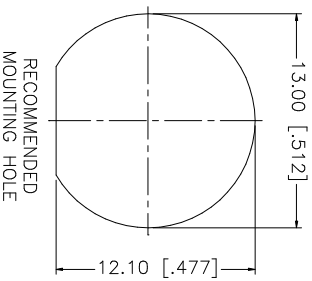
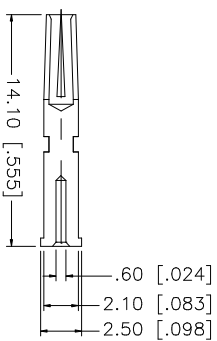
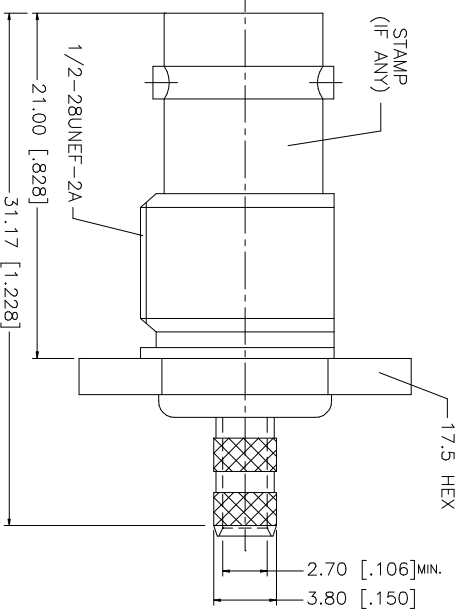
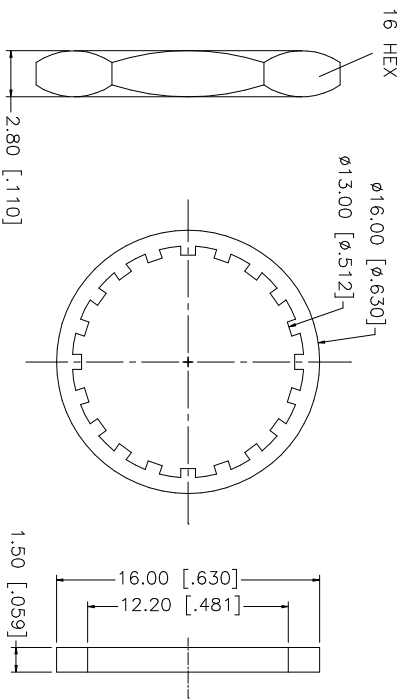
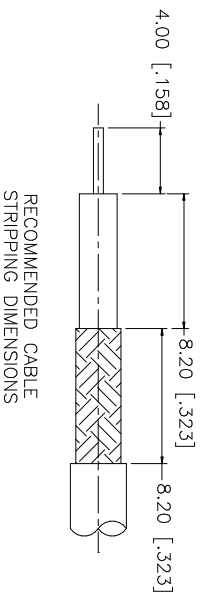
Tel: +86-755-8981 8866 Fax: +86-755-8427 6832

Email & Skype: info@chipsmall.com Web: www.chipsmall.com

Address: A1208, Overseas Decoration Building, #122 Zhenhua RD., Futian, Shenzhen, China



REV.	DATE	DESCRIPTION
NC	12/27/03	INITIAL RELEASE



- NOTE:
1. CRIMPED FERRULE HEX CRIMP SIZE .178"
 2. CRIMPED CONTACT PIN HEX CRIMP SIZE .068"
 3. MAX. PANEL THICKNESS = 6.5mm

QTY	DESCRIPTION	MATERIAL	FINISH	QTY	DO NOT SCALE DRAWING	CAD FILE	APPROVALS	DATE	DWG. NO.	REV.	NC	SIZE	SCALE
1	HEX NUT	BRASS	NICKEL	1	UNLESS OTHERWISE SPECIFIED DIMENSIONS ARE IN MILLIMETERS. DIMENSIONS IN [] ARE IN INCHES AND FOR CUSTOMER REFERENCE ONLY.	C:/112/112719.DWG			112719.DWG			A	NA
1	LOCK WASHER	BRASS	NICKEL	1	UNLESS OTHERWISE SPECIFIED TOLERANCES FOR MILLIMETERS ARE:		G.R.S.	12/27/03					
1	FERRULE	BRASS	NICKEL	1	0.5 - 8mm ± 0.20mm		CHECKED						
1	SLEEVE	DELFIN	NATURAL	1	8 - 30mm ± 0.40mm		ISSUED						
1	GASKET	RUBBER	RED	1	30 - 120mm ± 0.50mm		SHEET	1 OF 1					
1	CONTACT PIN	PHOS. BRONZE	GOLD	1	UNLESS OTHERWISE SPECIFIED TOLERANCES FOR INCHES ARE:								
1	INSULATOR	TEFLON	NATURAL	1	.020 - .315 = ± 0.007"								
1	BODY	BRASS	NICKEL	1	.315 - 1.180 = ± 0.015"								
1				1	1.180 - 4.724 = ± 0.020"								
	DESCRIPTION	MATERIAL	FINISH	QTY	DO NOT SCALE DRAWING	CAD FILE	APPROVALS	DATE	DWG. NO.	REV.	NC	SIZE	SCALE
						C:/112/112719.DWG			112719.DWG			A	NA
<p>Amphenol Connex</p> <p>PART DESCRIPTION</p> <p>BNC BULKHEAD CRIMP JACK (FOR RG-174/U, 188A/U, 316/U CABLE)</p> <p>PART NO. 112719</p>													