



Chipsmall Limited consists of a professional team with an average of over 10 year of expertise in the distribution of electronic components. Based in Hongkong, we have already established firm and mutual-benefit business relationships with customers from,Europe,America and south Asia,supplying obsolete and hard-to-find components to meet their specific needs.

With the principle of “Quality Parts,Customers Priority,Honest Operation,and Considerate Service”,our business mainly focus on the distribution of electronic components. Line cards we deal with include Microchip,ALPS,ROHM,Xilinx,Pulse,ON,Everlight and Freescale. Main products comprise IC,Modules,Potentiometer,IC Socket,Relay,Connector.Our parts cover such applications as commercial,industrial, and automotives areas.

We are looking forward to setting up business relationship with you and hope to provide you with the best service and solution. Let us make a better world for our industry!



Contact us

Tel: +86-755-8981 8866 Fax: +86-755-8427 6832

Email & Skype: info@chipsmall.com Web: www.chipsmall.com

Address: A1208, Overseas Decoration Building, #122 Zhenhua RD., Futian, Shenzhen, China



High Current Chokes

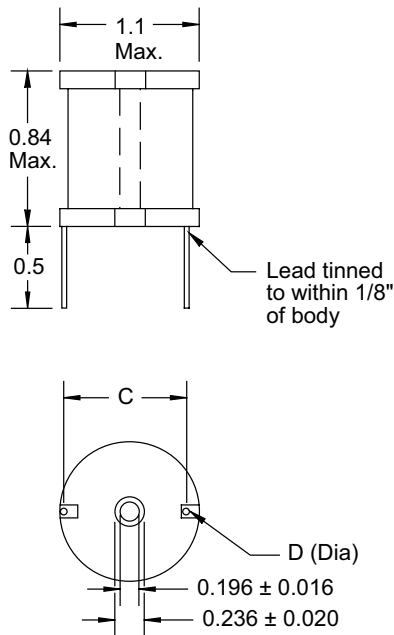
Special Features

- Very high current capacity
- Low DCR
- Epoxy coated ferrite bobbin core
- VW-1 rated shrink tubing to cover winding
- Self-leaded
- Fixed lead spacing
- Center hole for mechanical mounting
- Dielectric withstanding voltage:
2500 Vrms terminal to shrink tube cover;
1000 Vrms terminal to core
- Operating temperature -55 to +105 °C

Notes

* Rated current to cause 50 °C max. temperature rise and 5 % max. inductance drop

† RoHS Directive 2002/95/EC Jan 27 2003 including Annex.



Note: Major diameter of #8 screw = 0.164 "

Dimensions: Inches

1130 Series					
Part Number	L (µH) ±20 % @ 1 KHz	DCR Ω Max.	I, dc* (A)	Dim. C Approx.	Dim. D Nom.
1130-1R0M-RC	1.0	0.003	21	0.80	0.081
1130-1R2M-RC	1.2	0.003	21	0.80	0.081
1130-1R5M-RC	1.5	0.003	21	0.80	0.081
1130-1R8M-RC	1.8	0.003	21	0.80	0.081
1130-2R2M-RC	2.2	0.003	21	0.80	0.081
1130-2R7M-RC	2.7	0.003	21	0.80	0.081
1130-3R3M-RC	3.3	0.003	21	0.80	0.081
1130-3R9M-RC	3.9	0.003	21	0.80	0.081
1130-4R7M-RC	4.7	0.003	21	0.80	0.081
1130-5R6M-RC	5.6	0.003	21	0.82	0.081
1130-6R8M-RC	6.8	0.004	21	0.82	0.081
1130-8R2M-RC	8.2	0.004	21	0.82	0.081
	± 10 %				
1130-100K-RC	10	0.006	17	0.82	0.081
1130-120K-RC	12	0.008	13.5	0.80	0.072
1130-150K-RC	15	0.009	13.5	0.80	0.072
1130-180K-RC	18	0.010	13.5	0.80	0.072
1130-220K-RC	22	0.011	13.5	0.79	0.064
1130-270K-RC	27	0.012	13.5	0.79	0.064
1130-330K-RC	33	0.017	13.5	0.79	0.064
1130-390K-RC	39	0.022	11.4	0.79	0.057
1130-470K-RC	47	0.024	9	0.79	0.057
1130-560K-RC	56	0.026	9	0.79	0.057
1130-680K-RC	68	0.029	9	0.79	0.057
1130-820K-RC	82	0.032	9	0.79	0.051
1130-101K-RC	100	0.034	9	0.79	0.051
1130-121K-RC	120	0.046	7.2	0.79	0.051
1130-151K-RC	150	0.064	5.5	0.77	0.045
1130-181K-RC	180	0.072	5.5	0.77	0.045
1130-221K-RC	220	0.080	5.5	0.77	0.040
1130-271K-RC	270	0.110	4.5	0.77	0.040
1130-331K-RC	330	0.122	4.5	0.77	0.040
1130-391K-RC	390	0.169	4	0.77	0.036
1130-471K-RC	470	0.187	4	0.77	0.036
1130-561K-RC	560	0.205	4	0.77	0.032
1130-681K-RC	680	0.256	2.8	0.77	0.032
1130-821K-RC	820	0.288	2.8	0.77	0.032
1130-102K-RC	1000	0.426	2	0.75	0.029
1130-122K-RC	1200	0.426	2	0.75	0.029
1130-152K-RC	1500	0.518	2	0.75	0.025
1130-182K-RC	1800	0.705	1.6	0.75	0.025
1130-222K-RC	2200	1.02	1.3	0.75	0.025
1130-272K-RC	2700	1.14	1.3	0.75	0.023
1130-332K-RC	3300	1.27	1.3	0.75	0.020
1130-392K-RC	3900	1.67	1	0.75	0.020
1130-472K-RC	4700	1.86	1	0.75	0.020

"-RC" suffix indicates RoHS compliance.