



Chipsmall Limited consists of a professional team with an average of over 10 year of expertise in the distribution of electronic components. Based in Hongkong, we have already established firm and mutual-benefit business relationships with customers from,Europe,America and south Asia,supplying obsolete and hard-to-find components to meet their specific needs.

With the principle of “Quality Parts,Customers Priority,Honest Operation,and Considerate Service”,our business mainly focus on the distribution of electronic components. Line cards we deal with include Microchip,ALPS,ROHM,Xilinx,Pulse,ON,Everlight and Freescale. Main products comprise IC,Modules,Potentiometer,IC Socket,Relay,Connector.Our parts cover such applications as commercial,industrial, and automotives areas.

We are looking forward to setting up business relationship with you and hope to provide you with the best service and solution. Let us make a better world for our industry!



## Contact us

Tel: +86-755-8981 8866 Fax: +86-755-8427 6832

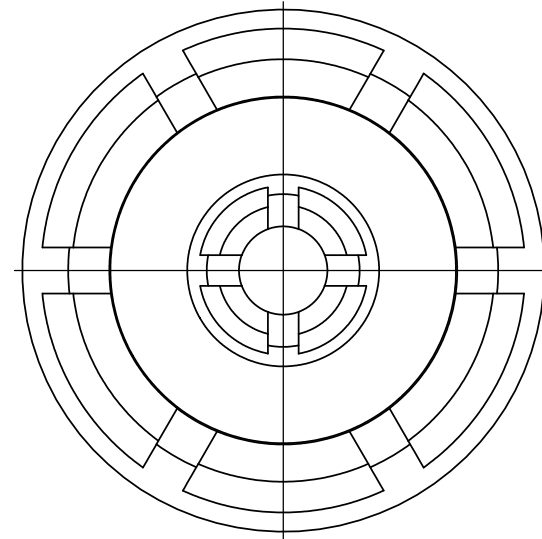
Email & Skype: info@chipsmall.com Web: www.chipsmall.com

Address: A1208, Overseas Decoration Building, #122 Zhenhua RD., Futian, Shenzhen, China

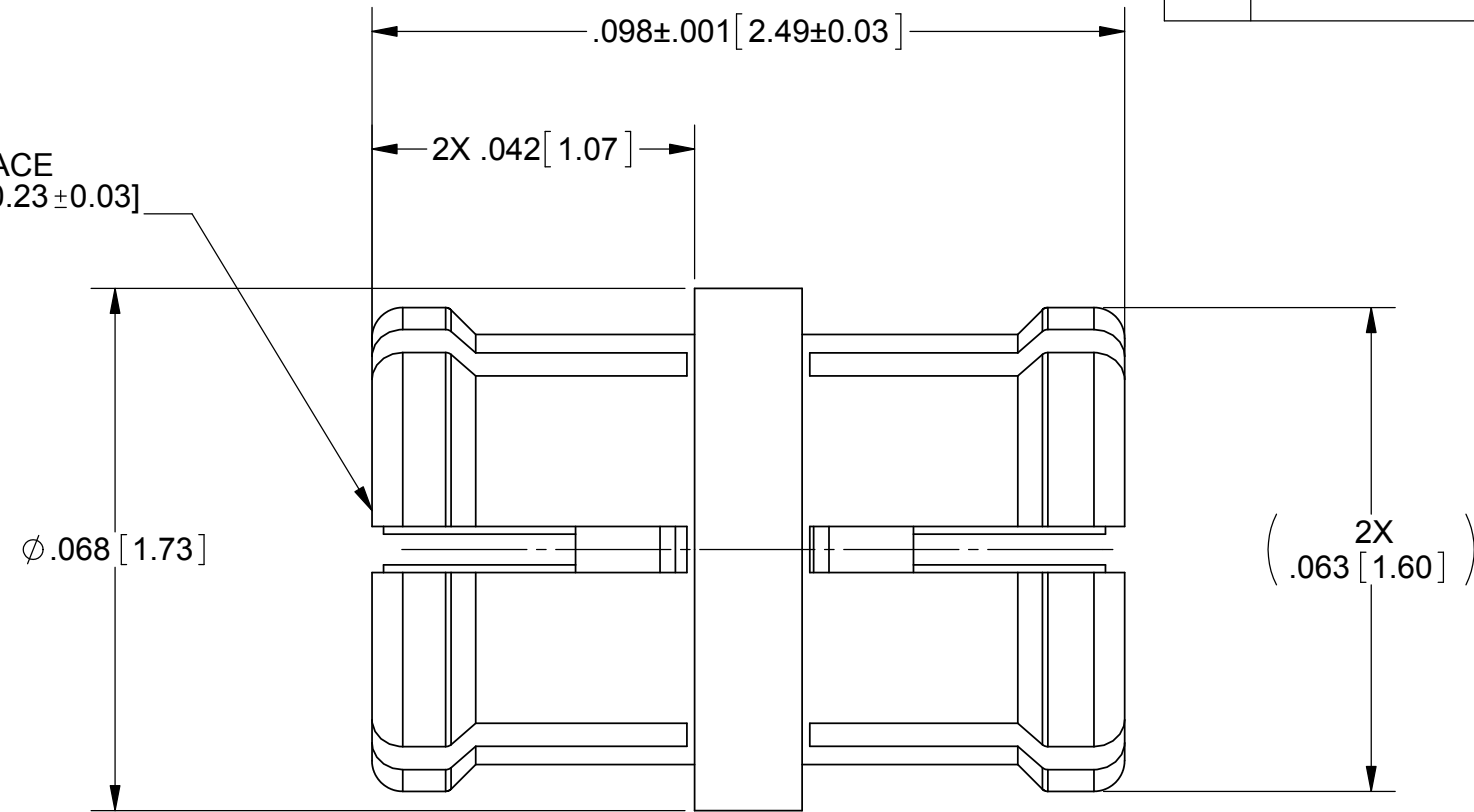


# PRODUCT DATA DRAWING

REVISION HISTORY			
REV	DESCRIPTION	DATE	APPROVED
-	REL. NRN 35512	09/17/09	STW
A	DCN 39509	11/12	STW



2X SMPS INTERFACE  
ACCEPTS  $\phi .009 \pm .001 [0.23 \pm 0.03]$   
MALE PIN



**MATERIAL:**  
BODY, &  
CONTACT: BERYLLIUM COPPER PER ASTM B196,  
ALLOY No. UNS C17300, TD04

**INSULATOR:** PTFE PER ASTM D1710, TYPE I, GRADE 1, CLASS B

**FINISH:**  
BODY &  
CONTACT: GOLD PER ASTM B 488, TYPE II, CODE C, CLASS 1.27,  
OVER NICKEL PER AMS-QQ-N-290, CLASS 1, .00005" MIN.

**PERFORMANCE:**  
IMPEDANCE: 50 OHMS  
VSWR: 1.15:1 DC TO 40 GHz TYPICAL  
1.25:1 TO 65 GHz TYPICAL

**INSERTION LOSS:** .12 X SQRT(F(F IN GHz))  
DWV: 250 VRMS

**OPERATING TEMP.:** -55°C TO +165°C

**ENGAGEMENT:** 3.5 LBS TYPICAL IN FULL DETENT  
1.6 LBS TYPICAL IN SMOOTH BORE

**DISENGAGEMENT:** 2.0 LBS TYPICAL IN FULL DETENT  
0.5 LBS TYPICAL IN SMOOTH BORE

<b>MATERIAL:</b> SEE NOTES	<b>DIMENSIONS ARE IN INCHES TOLERANCES:</b> FRACTIONAL: $\pm 1/64$ ANGULAR: X° $\pm 1'0''$ X*X' $\pm 15'$	<b>UNLESS OTHERWISE SPECIFIED</b> 1) ALL DIMENSIONS ARE IN INCHES (MILLIMETERS) 2) ALL DIMENSIONS ARE AFTER PLATING. 3) BREAK CORNERS & EDGES .005 R. MAX. 4) CHAM. 1ST & LAST THREADS. 5) SURFACE ROUGHNESS 63-MIL-STD-10. 6) DIA. 'S ON COMMON CENTERS TO BE CONCENTRIC WITHIN .005 T.I.R. 7) REMOVE ALL BURRS	<b>SV Microwave, Inc.</b> 2400 Centrepark West Drive, Suite 100 West Palm Beach, FL 33409	
<b>FINISH:</b> SEE NOTES	DECIMAL: X $\pm .030$ .XX $\pm .010$ .XXX $\pm .005$		<b>TITLE:</b> ADAPTOR SMPS FEMALE TO FEMALE	
<b>SURFACE AREA:</b> N/A	INTERPRET DIMENSIONS AND TOLERANCES PER ASME Y14.5M - 1994	<b>THIRD ANGLE PROJECTION</b>	<b>DRAWN:</b> JMC 08/10/09	<b>SIZE:</b> B
<b>PROPRIETARY</b> THE INFORMATION CONTAINED IN THIS DRAWING IS THE SOLE PROPERTY OF SV MICROWAVE, INC. ANY REPRODUCTION IN PART OR AS A WHOLE WITHOUT THE WRITTEN PERMISSION OF SV MICROWAVE, INC IS PROHIBITED.		<b>CHECKED:</b> STW 09/17/09	<b>DWG. NO.:</b> 1138-4001	<b>CAGE CODE:</b> 95077
		<b>APPROVED:</b> STW 09/17/09	<b>SCALE:</b> 40:1	<b>SHEET 1 OF 1</b>