



Chipsmall Limited consists of a professional team with an average of over 10 year of expertise in the distribution of electronic components. Based in Hongkong, we have already established firm and mutual-benefit business relationships with customers from,Europe,America and south Asia,supplying obsolete and hard-to-find components to meet their specific needs.

With the principle of “Quality Parts,Customers Priority,Honest Operation,and Considerate Service”,our business mainly focus on the distribution of electronic components. Line cards we deal with include Microchip,ALPS,ROHM,Xilinx,Pulse,ON,Everlight and Freescale. Main products comprise IC,Modules,Potentiometer,IC Socket,Relay,Connector.Our parts cover such applications as commercial,industrial, and automotives areas.

We are looking forward to setting up business relationship with you and hope to provide you with the best service and solution. Let us make a better world for our industry!



Contact us

Tel: +86-755-8981 8866 Fax: +86-755-8427 6832

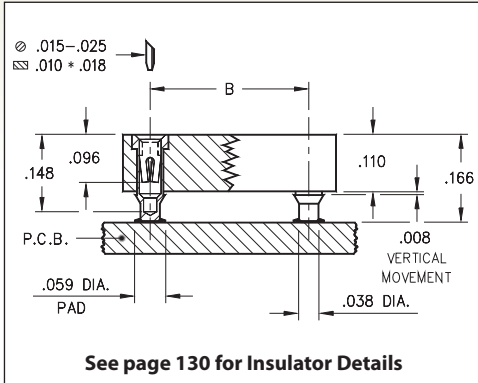
Email & Skype: info@chipsmall.com Web: www.chipsmall.com

Address: A1208, Overseas Decoration Building, #122 Zhenhua RD., Futian, Shenzhen, China

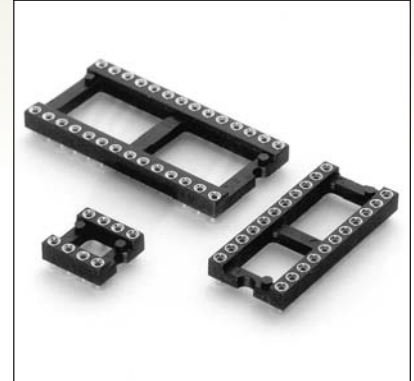


DUAL-IN-LINE SOCKETS

SERIES 114 • SURFACE MOUNT, STUB TAIL • OPEN FRAME



- Unique floating contacts compensate for the effects of unevenly dispensed solder paste
- Socket pins feature closed end construction eliminating any solder/flux wicking problems
- Hi-Rel, 4-finger BeCu #30 contact is rated at 3 amps. See page 253 for details
- Series 114 uses MM #1434 pins. See page 162 for details
- Insulators are high temperature thermoplastic, suitable for all soldering operations
- For Electrical, Mechanical and Environmental Data see page 264 for details



Total number of pins	Pin Spacing Dimensions (mm)			Quantity per tube	ORDERING INFORMATION					
	A	B	C							
10	0.5	0.2	0.3	41	114-XX-210-41-117000					
4	0.2	0.3	0.4	100	114-XX-304-41-117000					
6	0.3	0.3	0.4	67	114-XX-306-41-117000					
8	0.4	0.3	0.4	50	114-XX-308-41-117000					
10	0.5	0.3	0.4	40	114-XX-310-41-117000					
14	0.7	0.3	0.4	28	114-XX-314-41-117000					
16	0.8	0.3	0.4	25	114-XX-316-41-117000					
18	0.9	0.3	0.4	22	114-XX-318-41-117000					
20	1.0	0.3	0.4	20	114-XX-320-41-117000					
22	1.1	0.3	0.4	18	114-XX-322-41-117000					
24	1.2	0.3	0.4	16	114-XX-324-41-117000					
28	1.4	0.3	0.4	14	114-XX-328-41-117000					
20	1.0	0.4	0.5	20	114-XX-420-41-117000					
22	1.1	0.4	0.5	18	114-XX-422-41-117000					
24	1.2	0.4	0.5	16	114-XX-424-41-117000					
28	1.4	0.4	0.5	14	114-XX-428-41-117000					
32	1.6	0.4	0.5	12	114-XX-432-41-117000					
24	1.2	0.6	0.7	16	114-XX-624-41-117000					
28	1.4	0.6	0.7	14	114-XX-628-41-117000					
32	1.6	0.6	0.7	12	114-XX-632-41-117000					
36	1.8	0.6	0.7	11	114-XX-636-41-117000					
40	2.0	0.6	0.7	10	114-XX-640-41-117000					
42	2.1	0.6	0.7	9	114-XX-642-41-117000					
48	2.4	0.6	0.7	8	114-XX-648-41-117000					
50	2.5	0.6	0.7	8	114-XX-650-41-117000					
52	2.6	0.6	0.7	7	114-XX-652-41-117000					
50	2.5	0.9	1.0	8	114-XX-950-41-117000					
52	2.6	0.9	1.0	7	114-XX-952-41-117000					
64	3.2	0.9	1.0	6	114-XX-964-41-117000					

XX=Plating Code See Below

RoHS-2
2011/65/EU

SPECIFY PLATING CODE XX =	91	93	41	43
Sleeve (Pin)	200 μ" Sn/Pb	200 μ" Sn/Pb	200 μ" Sn	200 μ" Sn
Contact (Clip)	10 μ" Au	30 μ" Au	10 μ" Au	30 μ" Au