



Chipsmall Limited consists of a professional team with an average of over 10 year of expertise in the distribution of electronic components. Based in Hongkong, we have already established firm and mutual-benefit business relationships with customers from,Europe,America and south Asia,supplying obsolete and hard-to-find components to meet their specific needs.

With the principle of "Quality Parts,Customers Priority,Honest Operation,and Considerate Service",our business mainly focus on the distribution of electronic components. Line cards we deal with include Microchip,ALPS,ROHM,Xilinx,Pulse,ON,Everlight and Freescale. Main products comprise IC,Modules,Potentiometer,IC Socket,Relay,Connector.Our parts cover such applications as commercial,industrial, and automotives areas.

We are looking forward to setting up business relationship with you and hope to provide you with the best service and solution. Let us make a better world for our industry!



Contact us

Tel: +86-755-8981 8866 Fax: +86-755-8427 6832

Email & Skype: info@chipsmall.com Web: www.chipsmall.com

Address: A1208, Overseas Decoration Building, #122 Zhenhua RD., Futian, Shenzhen, China



Description

Miniaturised single pole thermal circuit breaker with push-to-reset tease-free, trip-free, snap action mechanism (R-type TO CBE to EN 60934). Available in versions for panel mounting, snap-in or threadneck, or as an integral type. For lower current ratings see types 104, 105, 106. Approved to CBE standard EN 60934 (IEC 60934).

Typical applications

Motors, transformers, solenoids, hand-held machines and appliances.

Ordering information

Type No.

1140	single pole thermal circuit breaker
Mounting	
E2	integral mounting
F1	snap-in panel mounting
G1	threadneck panel mounting 3/8-27UNS with hex nut and knurled nut (hardware bulk shipped with 5 pcs plus)
Number of poles	
1	1-pole protected
Actuator style	
1	black push button
Terminal design	
P1	blade terminals A6.3-0.8 (QC .250)
Characteristic curve	
M1	medium delaye
Current ratings	
	3.5...16 A

1140 - F1 1 1 - P1 M1 - 10 A = ordering example

Preferred types

Preferred types	Standard current ratings (A)															
	4	5	6	7	8	9	10	11	12	13	14	15	16			
1140-G111-P1M1-	x	x	x	x	x	x	x	x	x	x	x	x	x	x	x	

Standard current ratings and typical internal resistance values

Current rating (A)	Internal resistance (Ω)	Current rating (A)	Internal resistance (Ω)
3.5	0.06	10	< 0.02
4	0.04	11	< 0.02
5	0.03	12	< 0.02
6	0.02	13	< 0.02
7	< 0.02	14	< 0.02
8	< 0.02	15	< 0.02
9	< 0.02	16	< 0.02

All dimensions without tolerances are for reference only. In the interest of improved design, performance and cost effectiveness the right to make changes in these specifications without notice is reserved. Product markings may not be exactly as the ordering codes. Errors and omissions excepted.



Technical data

For further details please see chapter: Technical Information

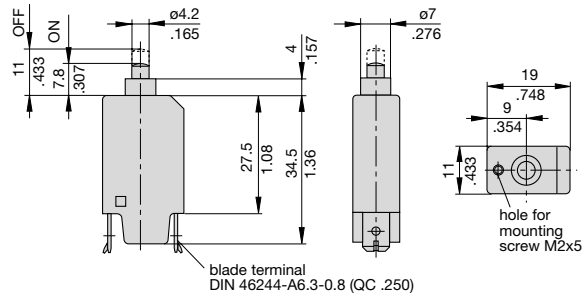
Voltage rating	AC 240 V; DC 48 V (UL: AC 250 V; DC 50 V)		
Current ratings	3.5...16 A		
Typical life	AC + DC 3.5...8 A 200 operations at 2 x I _N , inductive 9...16 A 100 operations at 2 x I _N , inductive		
Ambient temperature	-20...+60 °C (-4...+140 °F) T 60		
Insulation co-ordination (IEC 60664 and 60664 A)	rated impulse withstand voltage 2.5 kV	pollution degree 2	reinforced insulation in operating area
Dielectric strength (IEC 60664 and 60664A) operating area	test voltage AC 3,000 V		
Insulation resistance	> 100 MΩ (DC 500 V)		
Interrupting capacity I _{cn}	3.5...8 A 8 x I _N	9...16 A 120 A	
Interrupting capacity (UL 10777)	I _N 3.5...16 A	U _N DC 50 V	2,000 A
	3.5...16 A	AC 250 V	2,000 A
Degree of protection (IEC 60529/DIN 40 050)	operating area IP40 terminal area IP00		
Vibration	10 g (57-500 Hz) ± 0.76 mm (10-57 Hz), to IEC 60068-2-6, test Fc, 10 frequency cycles/axis		
Shock	25 g (11 ms) to IEC 60068-2-27, test Ea		
Corrosion	96 hours at 5 % salt mist, to IEC 60068-2-11, test Ka		
Humidity	240 hours at 95 % RH to IEC 60068-2-78, test Cab		
Mass	approx. 10 g		

Approvals

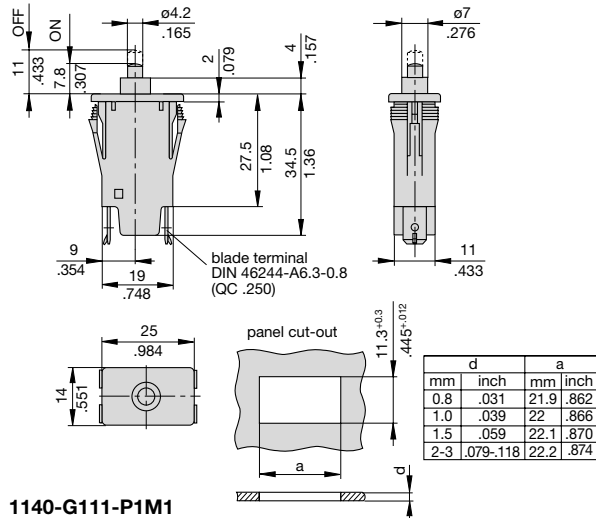
Authority	Standard	Rated voltage	Current ratings
VDE	IEC/EN 60934	AC 240 V DC 48 V	3.5 A...16 A 3.5 A...16 A
UL	UL 1077	AC 250 V DC 50 V	3.5 A...16 A 3.5 A...16 A
CSA	C22.2 No 235	AC 250 V DC 50 V	3.5 A...15 A 3.5 A...16 A

Dimensions

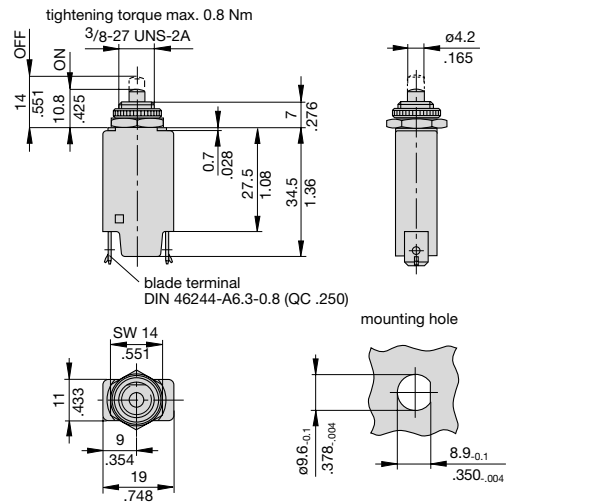
1140-E211-P1M1



1140-F111-P1M1

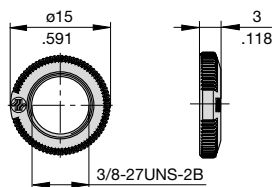


1140-G111-P1M1

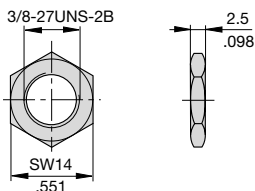


Accessory

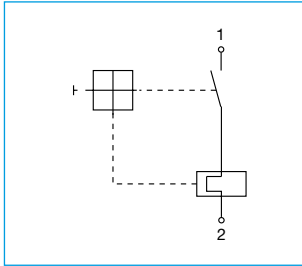
Knurled nut 3/8" plastic (standard) Y 307 117 02



Hex nut 3/8" nickel-plated brass Y 300 192 01

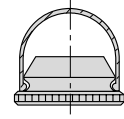


Internal connection diagram

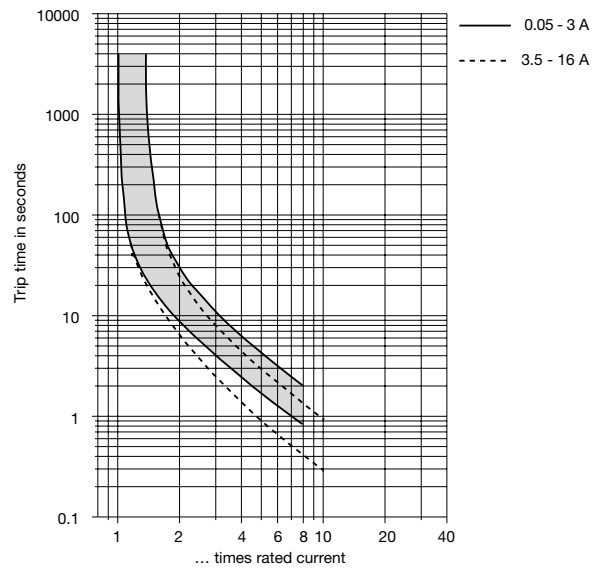


Accessory

Water splash cover/knurled nut assembly, transparent X 201 285 01 (IP64)



Typical time/current characteristics at +23 °C/+73.4 °F

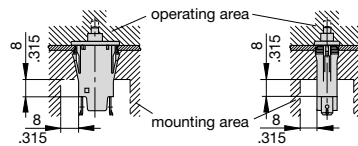


The time/current characteristic curve depends on the ambient temperature prevailing. In order to eliminate nuisance tripping, please multiply the circuit breaker current ratings by the derating factor shown below. See also section Technical information.

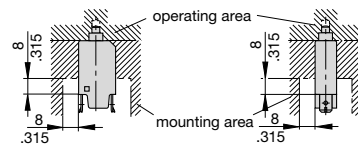
Ambient temperature °F	-4	+14	+32	+73.4	+104	+122	+140
°C	-20	-10	0	+23	+40	+50	+60
Derating factor	0.76	0.84	0.92	1	1.08	1.16	1.24

Installation drawings

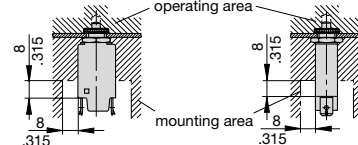
1140-F...



1140-E...



1140-G...



This is a metric design and millimeter dimensions take precedence (mm/inch)