



Chipsmall Limited consists of a professional team with an average of over 10 year of expertise in the distribution of electronic components. Based in Hongkong, we have already established firm and mutual-benefit business relationships with customers from,Europe,America and south Asia,supplying obsolete and hard-to-find components to meet their specific needs.

With the principle of “Quality Parts,Customers Priority,Honest Operation,and Considerate Service”,our business mainly focus on the distribution of electronic components. Line cards we deal with include Microchip,ALPS,ROHM,Xilinx,Pulse,ON,Everlight and Freescale. Main products comprise IC,Modules,Potentiometer,IC Socket,Relay,Connector.Our parts cover such applications as commercial,industrial, and automotives areas.

We are looking forward to setting up business relationship with you and hope to provide you with the best service and solution. Let us make a better world for our industry!



Contact us

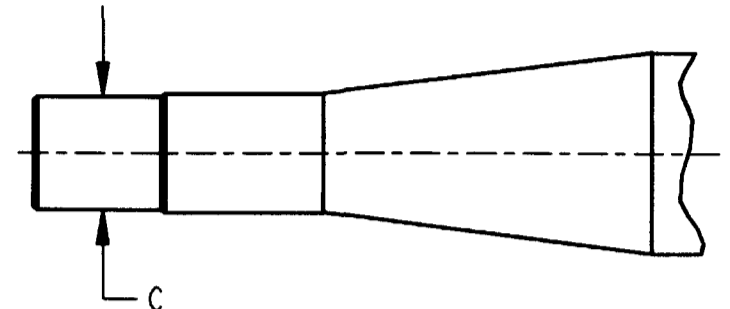
Tel: +86-755-8981 8866 Fax: +86-755-8427 6832

Email & Skype: info@chipsmall.com Web: www.chipsmall.com

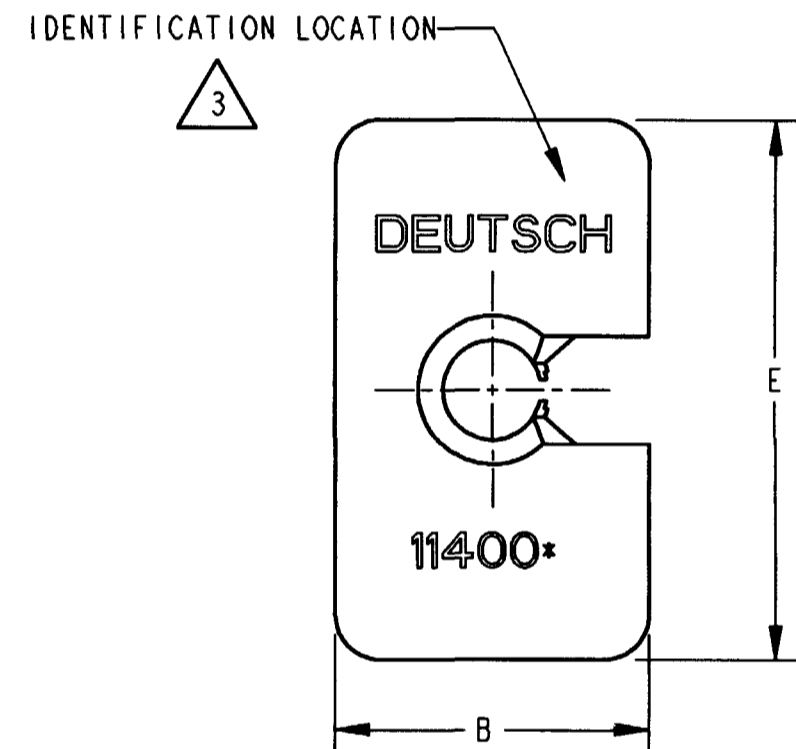
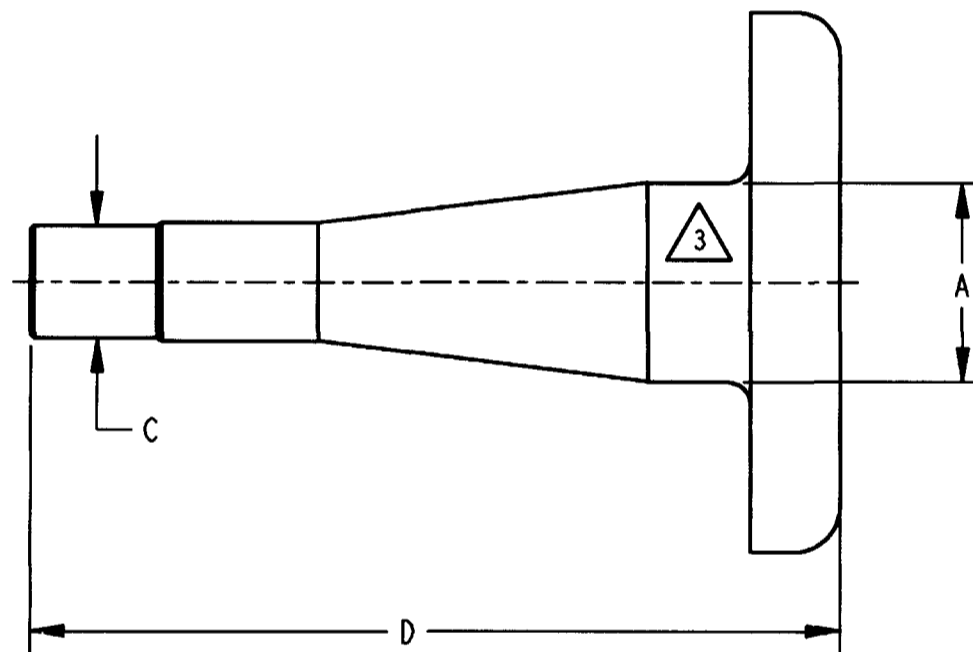
Address: A1208, Overseas Decoration Building, #122 Zhenhua RD., Futian, Shenzhen, China



REV D	114008-114010	REVISIONS			
		SYM	DESCRIPTION	DATE	APPROVED
		A	REVISED PER E.O. P74233	8/16/73	KERK
		B	REVISED PER E.O. 79792	5/19/75	M.K.
		C	REVISED PER E.O. A6833	7/1/87	J.A.
D	REVISED/REDRAWN PER E.O. P17595	1-31-02	RDR		



SIZE 8 CONFIGURATION



PART NO.	SIZE	±.015 A	±.031 B	REF C	MAX D	±.031 E
114008	8	.555	.875	.314	2.250	1.500
114009	4	.740	.875	.435	3.100	1.500
114010	12	.350	.625	.202	2.300	1.250

3. IDENTIFICATION LOCATION OPTIONAL.

2. CONNECTOR APPLICATION:
THESE TOOLS ARE USED WITH HD SERIES CONNECTORS.

NOTES: 1. MATERIAL: PLASTIC, COLOR FOR SIZE 4 IS WHITE SIZE 8 IS GREEN AND SIZE 12 IS YELLOW.

SIGNATURE & DATE	
DR	X. SANCHEZ 23JAN02
CHK	Jami Garcia 1/3/02
PE	SBend 1-25-02
APPD	SBend 1-25-02
SCALE	NONE WT

PROBE-TOOL
EXTRACTION
SIZE 4, 8 AND 12

ENVELOPE

CP	MATL. CODE
The Deutch Company DEUTSCH I.P.D. 3850 INDUSTRIAL AVE. HEMET, CALIF. 92545	
B	114008-114010
DWG SIZE	CODE 11139 SHEET OF