



Chipsmall Limited consists of a professional team with an average of over 10 year of expertise in the distribution of electronic components. Based in Hongkong, we have already established firm and mutual-benefit business relationships with customers from,Europe,America and south Asia,supplying obsolete and hard-to-find components to meet their specific needs.

With the principle of "Quality Parts,Customers Priority,Honest Operation,and Considerate Service",our business mainly focus on the distribution of electronic components. Line cards we deal with include Microchip,ALPS,ROHM,Xilinx,Pulse,ON,Everlight and Freescale. Main products comprise IC,Modules,Potentiometer,IC Socket,Relay,Connector.Our parts cover such applications as commercial,industrial, and automotives areas.

We are looking forward to setting up business relationship with you and hope to provide you with the best service and solution. Let us make a better world for our industry!



Contact us

Tel: +86-755-8981 8866 Fax: +86-755-8427 6832

Email & Skype: info@chipsmall.com Web: www.chipsmall.com

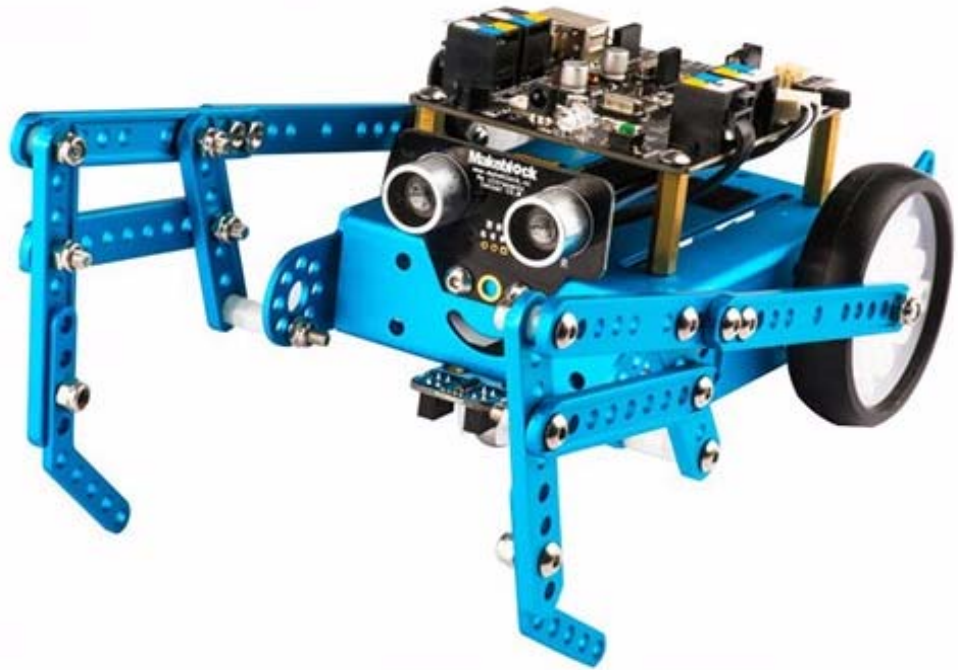
Address: A1208, Overseas Decoration Building, #122 Zhenhua RD., Futian, Shenzhen, China





mBot Add-on Pack - Six-legged Robot

SKU 114090001



mBot six-legged robot is a 3-in-1 expansion pack based on mBot.

You can construct "Beetle", "Mantis" and "Crazy Frog" with mBot and the parts inside the pack.

The mBot six-legged robot makes mBot more vivacious and enjoyable.

Description

What is mBot six-legged robot?

mBot six-legged robot is a 3-in-1 expansion pack based on mBot.

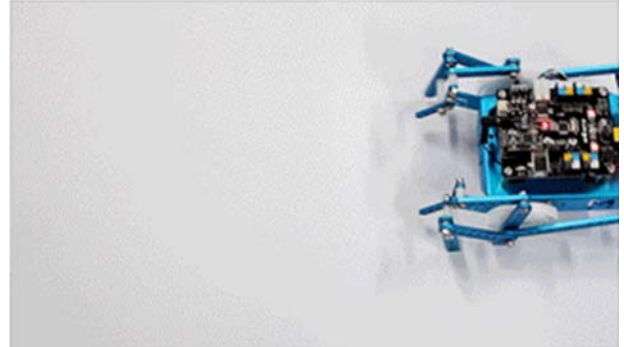
You can construct "Beetle", "Mantis" and "Crazy Frog" with mBot and the parts inside the pack.

The mBot six-legged robot makes mBot more vivacious and enjoyable. Let's get your six-legged robot move!

Shape one: Beetle

A six-legged beetle that moves quickly.

It turns around and attacks the enemy promptly!



Shape two: Mantis

It quietly crawls, waving two arms disposedly.

It is the hunter from the darkness,
approaching you, and catching you...

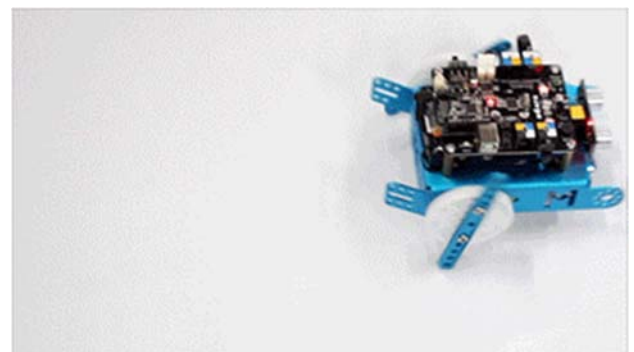


Shape three: Crazy Frog

A little crazy frog,

dashes around so madly that,

nobody can stop it.

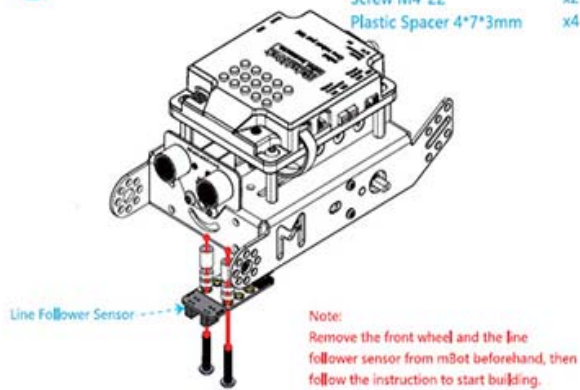


Example:

Assembling Step of the Six-Legged Robot

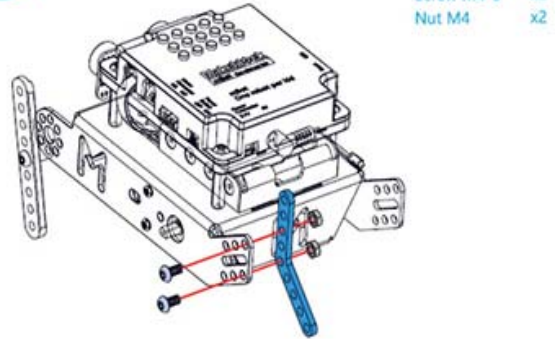
1

Plastic Spacer 4x7x10mm x2
Screw M4*22 x2
Plastic Spacer 4*7*3mm x4



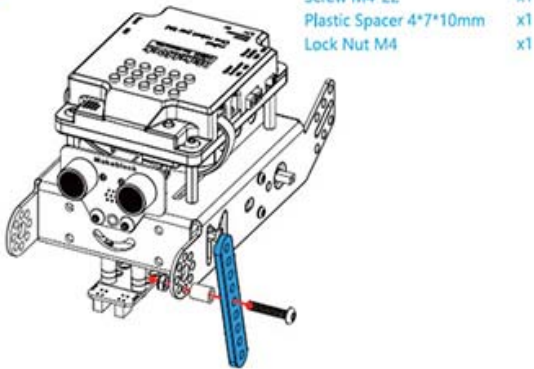
3

Plate 45° x1
Screw M4*8 x2
Nut M4 x2



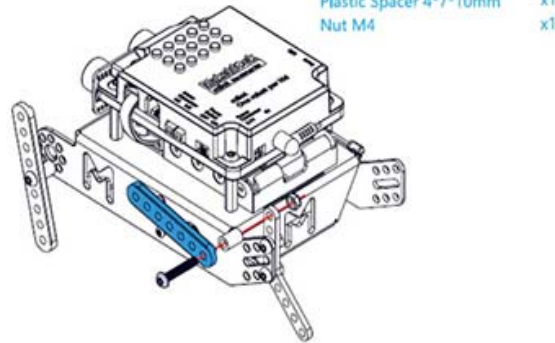
2

Beam0412-076-Blue x1
Screw M4*22 x1
Plastic Spacer 4*7*10mm x1
Lock Nut M4 x1



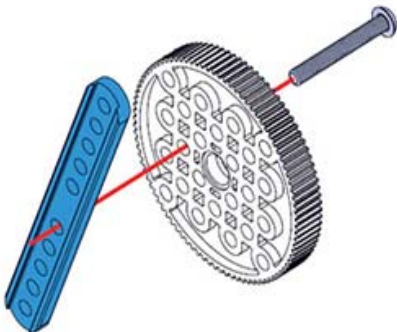
4

Beam0412-060 x1
Screw M4*22 x1
Plastic Spacer 4*7*10mm x1
Nut M4 x1



5

Screw M4*30 x1
Beam0412-092 x1



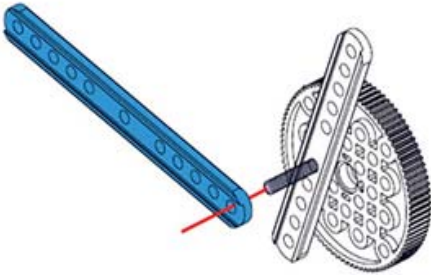
7

Beam0412-076 x1
Lock Nut M4 x1



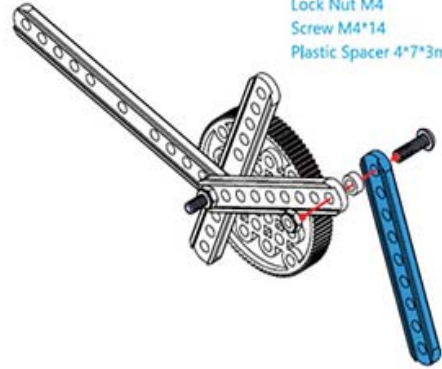
6

Beam0412-108 x1



8

Beam0412-076 x1
 Lock Nut M4 x1
 Screw M4*14 x1
 Plastic Spacer 4*7*3mm x1



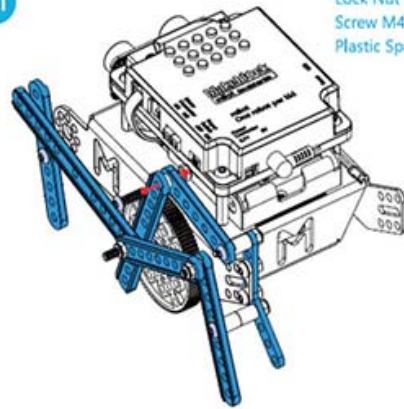
9



Note:
 The self-drilling screw here is the same as the one in the original mBot.

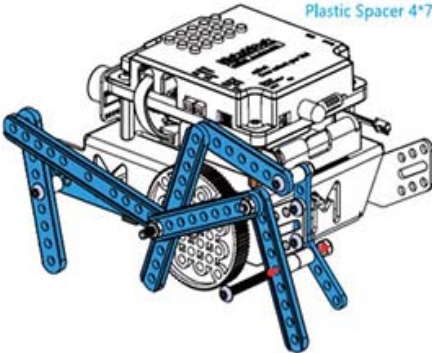
11

Lock Nut M4 x1
 Screw M4*14 x1
 Plastic Spacer 4*7*3mm x1



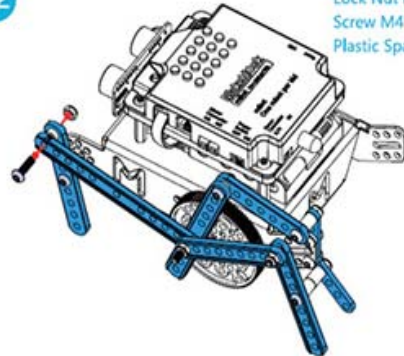
10

Screw M4x35 x1
 Lock Nut M4 x1
 Plastic Spacer 4*7*10mm x2



12

Lock Nut M4 x1
 Screw M4*14 x1
 Plastic Spacer 4*7*3mm x1



Use the same method to build the other part on mBot. Let's continue to build the six-legged robot!

Specifications

Model	mBot six-legged robot
Type	Expansion pack
Weight	255g (8.99oz)
Outer packing size (length×width×height)	100×60×150mm

Part List

6 × Screw M4 x 8mm	8 × Screw M4 x 14mm	8 × Screw M4 x 22mm
4 × Screw M4 x 30mm	4 × Screw M4 x 35mm	8 × NutM4
16 × Lock Nut M4	12 × Plastic Spacer 4 x 7 x 10mm	14 × Plastic Spacer 4 x 7 x 3mm
24 × Rivet	2 × Beam0412-108-Blue	2 × Beam0412-092-Blue
6 × Beam0412-076-Blue	2 × Beam0412-060-Blue	2 × Plate 45°-Blue