



Chipsmall Limited consists of a professional team with an average of over 10 year of expertise in the distribution of electronic components. Based in Hongkong, we have already established firm and mutual-benefit business relationships with customers from,Europe,America and south Asia,supplying obsolete and hard-to-find components to meet their specific needs.

With the principle of “Quality Parts,Customers Priority,Honest Operation,and Considerate Service”,our business mainly focus on the distribution of electronic components. Line cards we deal with include Microchip,ALPS,ROHM,Xilinx,Pulse,ON,Everlight and Freescale. Main products comprise IC,Modules,Potentiometer,IC Socket,Relay,Connector.Our parts cover such applications as commercial,industrial, and automotives areas.

We are looking forward to setting up business relationship with you and hope to provide you with the best service and solution. Let us make a better world for our industry!



Contact us

Tel: +86-755-8981 8866 Fax: +86-755-8427 6832

Email & Skype: info@chipsmall.com Web: www.chipsmall.com

Address: A1208, Overseas Decoration Building, #122 Zhenhua RD., Futian, Shenzhen, China





RTL8710AF WiFi Board

SKU 114991092



Description

Ameba RTL8710AF is a highly integrated single-chip with low power consumption mechanism for IoT (Internet of Things). It combines an ARM®Cortex™-M3 MCU, Wi-Fi and provide a bunch of configurable GPIOs which are configured as digital peripherals for different applications and control usage.

RTL8710AF also integrates internal memory and flash to minimize IoT end-product size and reduce your development cost.

Ameba RTL8710AF Wireless Dev Board is a convenient development kit for makers. It separate into 2 boards, the small one- **RTL8710AF WiFi Board** on the top is main mother board with all functions included, and the other on the bottom is similar to Arduino UNO form factor size which provides the development interface CMSIS-DAP mode and J-LINK debugger mode.

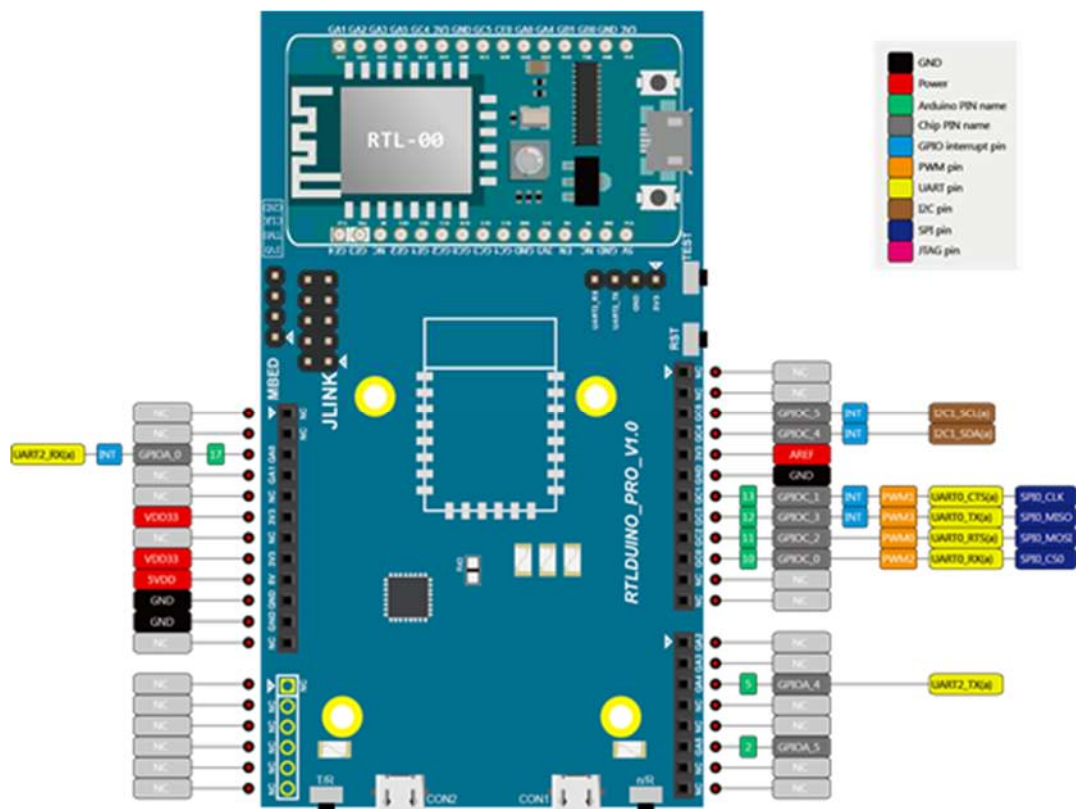
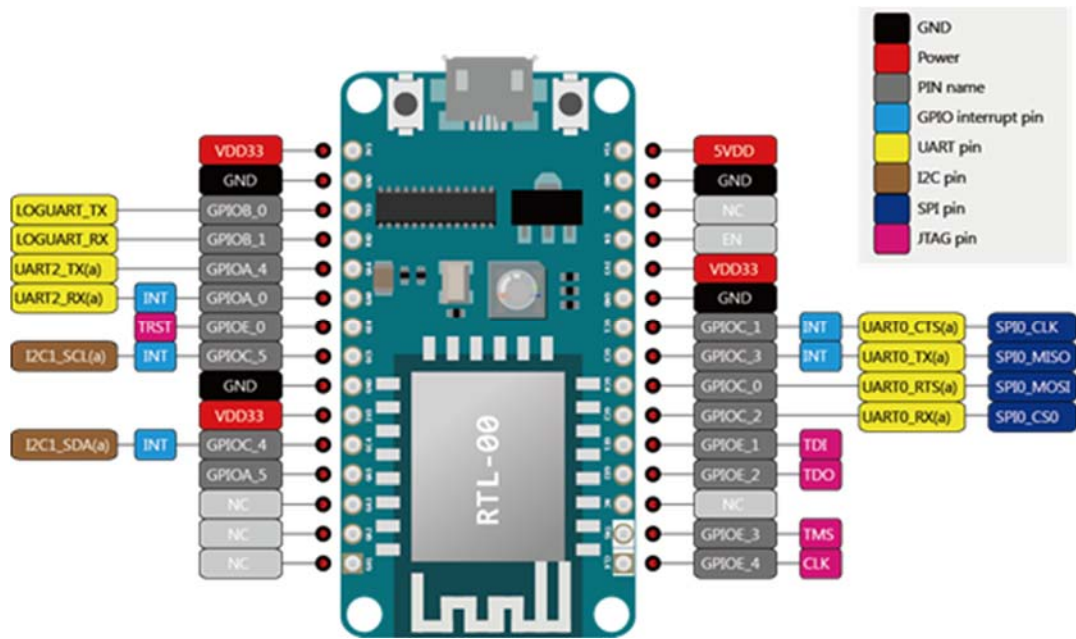


CPU

- - 32-bit ARM Cortex M3, up to 83MHz
- Memory
- - 1MB ROM, 512KB SRAM and 1MB flash

Key Features

- - Integrated with 802.11 b/g/n 1x1 Wi-Fi (HT20 only)
- - Hardware SSL engine
- - Maximum 16 GPIOs
- - 1 SPI Interfaces and support both master and slave mode
- - 3 UART Interfaces including two HS-UART and one log UART
- - 1 I2C Interfaces and support both master and slave mode
- - 4 PWM interfaces



	Ameba	
Model	RTL8195AM	RTL8710AF
Package	TFBGA96	QFN48
Package Dimension	6x6mm	6x6mm
Operation Temp. (°C)	-20 ~ 85	-20 ~ 85
CPU	ARM Cortex M3 (166MHz)	ARM Cortex M3 (83MHz)
RAM/Flash	2.5MB / ext. flash	512KB / 1MB
SDIO Master/Slave	Yes	No
USB	Yes (Host & Device)	No
PCM	Yes	No
SPI	Yes (x2)	Yes (x1)
UART	Yes (HSx2 + Std1)	Yes (HSx2 + Std1)
I2S	Yes	No
I2C	Yes (x4)	Yes (x2)
ADC	Yes (x2)	No
DAC	Yes (x1)	No
PWM	Yes (x4)	Yes (x4)
GPIO	Yes (max. 30)	Yes (max. 17)
NFC Tag (R/W)	Yes	No
HT40/ HT20	Yes	Yes
SSL/Cloud Connectivity	Yes	Yes
Simple-Config	Yes	Yes
HomeKit	Yes	No
Cloud	Multiple	Single



Part List

1 x RTL8710AF WiFi Board