



Chipsmall Limited consists of a professional team with an average of over 10 year of expertise in the distribution of electronic components. Based in Hongkong, we have already established firm and mutual-benefit business relationships with customers from,Europe,America and south Asia,supplying obsolete and hard-to-find components to meet their specific needs.

With the principle of “Quality Parts,Customers Priority,Honest Operation,and Considerate Service”,our business mainly focus on the distribution of electronic components. Line cards we deal with include Microchip,ALPS,ROHM,Xilinx,Pulse,ON,Everlight and Freescale. Main products comprise IC,Modules,Potentiometer,IC Socket,Relay,Connector.Our parts cover such applications as commercial,industrial, and automotives areas.

We are looking forward to setting up business relationship with you and hope to provide you with the best service and solution. Let us make a better world for our industry!



## Contact us

Tel: +86-755-8981 8866 Fax: +86-755-8427 6832

Email & Skype: info@chipsmall.com Web: www.chipsmall.com

Address: A1208, Overseas Decoration Building, #122 Zhenhua RD., Futian, Shenzhen, China



# Water Flow Sensor YF-B2

SKU 114991172



## Description

Water flow sensor consists of a copper body, a water rotor, and a hall-effect sensor. When water flows through the rotor, rotor rolls. Its speed changes with different rate of flow. The hall-effect sensor outputs the corresponding pulse signal. This one is suitable to detect flow in water dispenser or coffee machine.

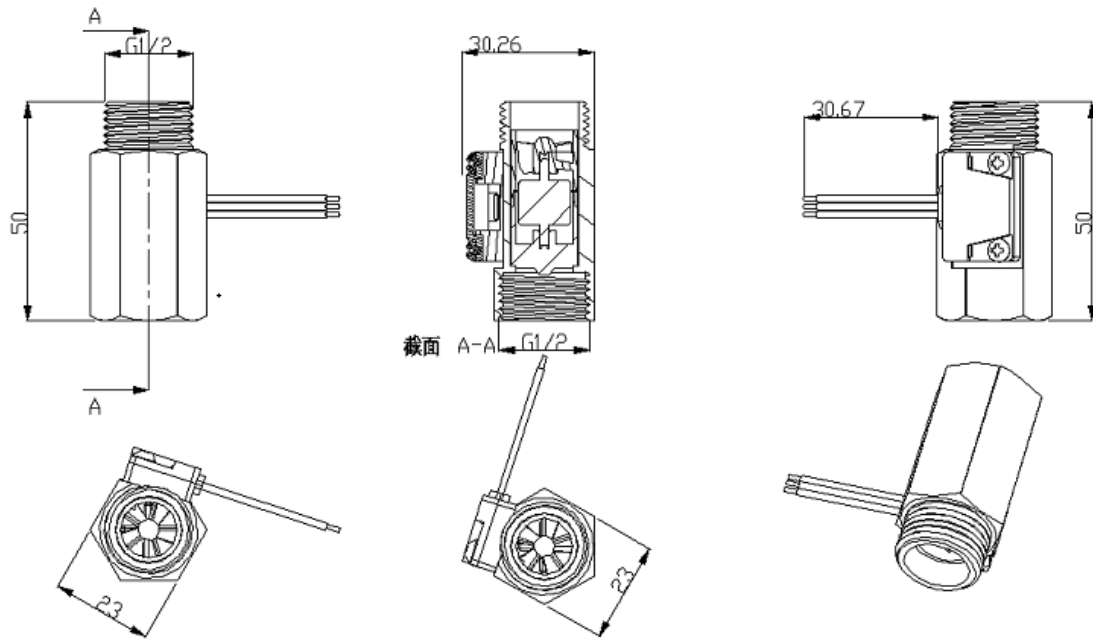
Life is longer than plastic body.

## Features

- Compact, Easy to Install
- High Sealing Performance
- High Quality Hall Effect Sensor
- RoHS Compliant

## Specifications

- Mini. Working Voltage: DC 4.5V
- Max. Working Current: 15mA (DC 5V)
- Working Voltage: DC 5V~15V
- Flow Rate Range: 1~25L/min
- Frequency:  $F=11*Q(Q=L/MIN)$
- Load Capacity:  $\leq 10mA$  (DC 5V)
- Operating Temperature:  $\leq 80^{\circ}C$
- Liquid Temperature:  $\leq 120^{\circ}C$
- Operating Humidity: 35%~90%RH
- Water Pressure:  $\leq 1.75MPa$
- Storage Temperature:  $-25 \sim + 80^{\circ}C$
- Storage Humidity: 25%~95%RH



## Part List

1 x YF-B2 water flow sensor

Technical Details

Weight G.W 98.5g N.W 98.5g

Battery Exclude