



Chipsmall Limited consists of a professional team with an average of over 10 year of expertise in the distribution of electronic components. Based in Hongkong, we have already established firm and mutual-benefit business relationships with customers from,Europe,America and south Asia,supplying obsolete and hard-to-find components to meet their specific needs.

With the principle of “Quality Parts,Customers Priority,Honest Operation,and Considerate Service”,our business mainly focus on the distribution of electronic components. Line cards we deal with include Microchip,ALPS,ROHM,Xilinx,Pulse,ON,Everlight and Freescale. Main products comprise IC,Modules,Potentiometer,IC Socket,Relay,Connector.Our parts cover such applications as commercial,industrial, and automotives areas.

We are looking forward to setting up business relationship with you and hope to provide you with the best service and solution. Let us make a better world for our industry!



Contact us

Tel: +86-755-8981 8866 Fax: +86-755-8427 6832

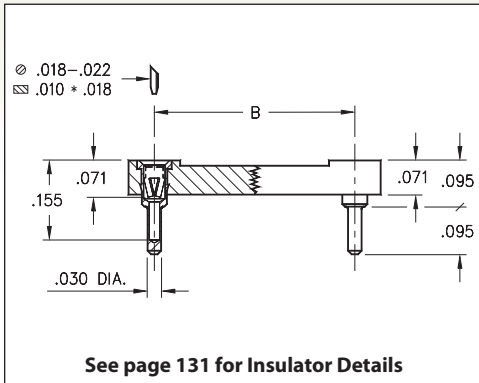
Email & Skype: info@chipsmall.com Web: www.chipsmall.com

Address: A1208, Overseas Decoration Building, #122 Zhenhua RD., Futian, Shenzhen, China



DUAL-IN-LINE SOCKETS

SERIES 115...003 • ULTRA LOW PROFILE • OPEN FRAME



- Our lowest profile DIP socket with an above PCB height of only .095"
- Special short Hi-Rel, 4-finger BeCu #12 contact is rated at 3 amps. See page 252 for details
- Series 115 uses MM #1534 pins. See page 161 for details
- Insulators are high temperature thermoplastic, suitable for all soldering operations
- For Electrical, Mechanical and Environmental Data, see page 264 for details



ORDERING INFORMATION

Total number of pins				Quantity per tube	
	A	B	C		
6	0.3	0.3	0.4	68	115-XX-306-41-003000
8	0.4	0.3	0.4	50	115-XX-308-41-003000
14	0.7	0.3	0.4	28	115-XX-314-41-003000
16	0.8	0.3	0.4	25	115-XX-316-41-003000
18	0.9	0.3	0.4	22	115-XX-318-41-003000
20	1.0	0.3	0.4	20	115-XX-320-41-003000
22	1.1	0.3	0.4	18	115-XX-322-41-003000
24	1.2	0.3	0.4	16	115-XX-324-41-003000
28	1.4	0.3	0.4	14	115-XX-328-41-003000
20	1.0	0.4	0.5	20	115-XX-420-41-003000
22	1.1	0.4	0.5	18	115-XX-422-41-003000
24	1.2	0.4	0.5	16	115-XX-424-41-003000
28	1.4	0.4	0.5	14	115-XX-428-41-003000
24	1.2	0.6	0.7	16	115-XX-624-41-003000
28	1.4	0.6	0.7	14	115-XX-628-41-003000
32	1.6	0.6	0.7	12	115-XX-632-41-003000
36	1.8	0.6	0.7	11	115-XX-636-41-003000
40	2.0	0.6	0.7	10	115-XX-640-41-003000
48	2.4	0.6	0.7	8	115-XX-648-41-003000
50	2.5	0.6	0.7	8	115-XX-650-41-003000

XX=Plating Code
See Below



SPECIFY PLATING CODE XX =	91	93	41	43	44
Sleeve (Pin)	200 μ" Sn/Pb	200 μ" Sn/Pb	200 μ" Sn	200 μ" Sn	200 μ" Sn
Contact (Clip)	10 μ" Au	30 μ" Au	10 μ" Au	30 μ" Au	100 μ" Sn

