



Chipsmall Limited consists of a professional team with an average of over 10 year of expertise in the distribution of electronic components. Based in Hongkong, we have already established firm and mutual-benefit business relationships with customers from,Europe,America and south Asia,supplying obsolete and hard-to-find components to meet their specific needs.

With the principle of “Quality Parts,Customers Priority,Honest Operation,and Considerate Service”,our business mainly focus on the distribution of electronic components. Line cards we deal with include Microchip,ALPS,ROHM,Xilinx,Pulse,ON,Everlight and Freescale. Main products comprise IC,Modules,Potentiometer,IC Socket,Relay,Connector.Our parts cover such applications as commercial,industrial, and automotives areas.

We are looking forward to setting up business relationship with you and hope to provide you with the best service and solution. Let us make a better world for our industry!



Contact us

Tel: +86-755-8981 8866 Fax: +86-755-8427 6832

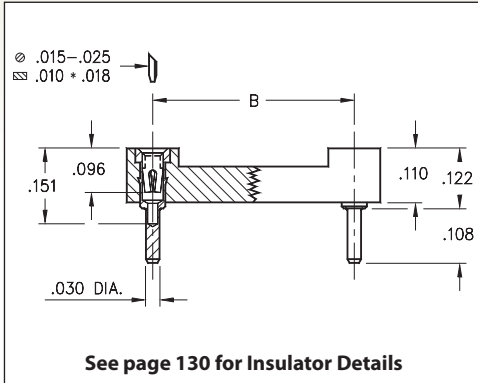
Email & Skype: info@chipsmall.com Web: www.chipsmall.com

Address: A1208, Overseas Decoration Building, #122 Zhenhua RD., Futian, Shenzhen, China

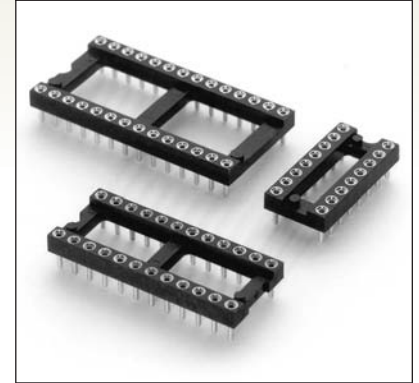


DUAL-IN-LINE SOCKETS

SERIES 115...001 • VERY LOW PROFILE • OPEN FRAME



- Low profile DIP socket, sits only .122" above the PCB
- Hi-Rel, 4-finger BeCu #30 contact is rated at 3 amps. See page 253 for details
- Series 115 uses MM #0501 pins. See page 162 for details
- Insulators are high temperature thermoplastic, suitable for all soldering operations
- For Electrical, Mechanical and Environmental Data, see page 264 for details



Total number of pins	Pin Spacing			Quantity per tube	ORDERING INFORMATION					
	A	B	C							
10	0.5	0.2	0.3	41	115-XX-210-41-001000					
4	0.2	0.3	0.4	102	115-XX-304-41-001000					
6	0.3	0.3	0.4	67	115-XX-306-41-001000					
8	0.4	0.3	0.4	50	115-XX-308-41-001000					
10	0.5	0.3	0.4	40	115-XX-310-41-001000					
14	0.7	0.3	0.4	28	115-XX-314-41-001000					
16	0.8	0.3	0.4	25	115-XX-316-41-001000					
18	0.9	0.3	0.4	22	115-XX-318-41-001000					
20	1.0	0.3	0.4	20	115-XX-320-41-001000					
22	1.1	0.3	0.4	18	115-XX-322-41-001000					
24	1.2	0.3	0.4	16	115-XX-324-41-001000					
28	1.4	0.3	0.4	14	115-XX-328-41-001000					
20	1.0	0.4	0.5	20	115-XX-420-41-001000					
22	1.1	0.4	0.5	18	115-XX-422-41-001000					
24	1.2	0.4	0.5	16	115-XX-424-41-001000					
28	1.4	0.4	0.5	14	115-XX-428-41-001000					
32	1.6	0.4	0.5	12	115-XX-432-41-001000					
24	1.2	0.6	0.7	16	115-XX-624-41-001000					
28	1.4	0.6	0.7	14	115-XX-628-41-001000					
32	1.6	0.6	0.7	12	115-XX-632-41-001000					
36	1.8	0.6	0.7	11	115-XX-636-41-001000					
40	2.0	0.6	0.7	10	115-XX-640-41-001000					
42	2.1	0.6	0.7	9	115-XX-642-41-001000					
48	2.4	0.6	0.7	8	115-XX-648-41-001000					
50	2.5	0.6	0.7	8	115-XX-650-41-001000					
52	2.6	0.6	0.7	7	115-XX-652-41-001000					
50	2.5	0.9	1.0	8	115-XX-950-41-001000					
52	2.6	0.9	1.0	7	115-XX-952-41-001000					
64	3.2	0.9	1.0	6	115-XX-964-41-001000					

XX=Plating Code See Below

RoHS-2
2011/65/EU

SPECIFY PLATING CODE XX =	91	93	41	43
Sleeve (Pin)	200 μ" Sn/Pb	200 μ" Sn/Pb	200 μ" Sn	200 μ" Sn
Contact (Clip)	10 μ" Au	30 μ" Au	10 μ" Au	30 μ" Au

