



Chipsmall Limited consists of a professional team with an average of over 10 year of expertise in the distribution of electronic components. Based in Hongkong, we have already established firm and mutual-benefit business relationships with customers from,Europe,America and south Asia,supplying obsolete and hard-to-find components to meet their specific needs.

With the principle of "Quality Parts,Customers Priority,Honest Operation,and Considerate Service",our business mainly focus on the distribution of electronic components. Line cards we deal with include Microchip,ALPS,ROHM,Xilinx,Pulse,ON,Everlight and Freescale. Main products comprise IC,Modules,Potentiometer,IC Socket,Relay,Connector.Our parts cover such applications as commercial,industrial, and automotives areas.

We are looking forward to setting up business relationship with you and hope to provide you with the best service and solution. Let us make a better world for our industry!



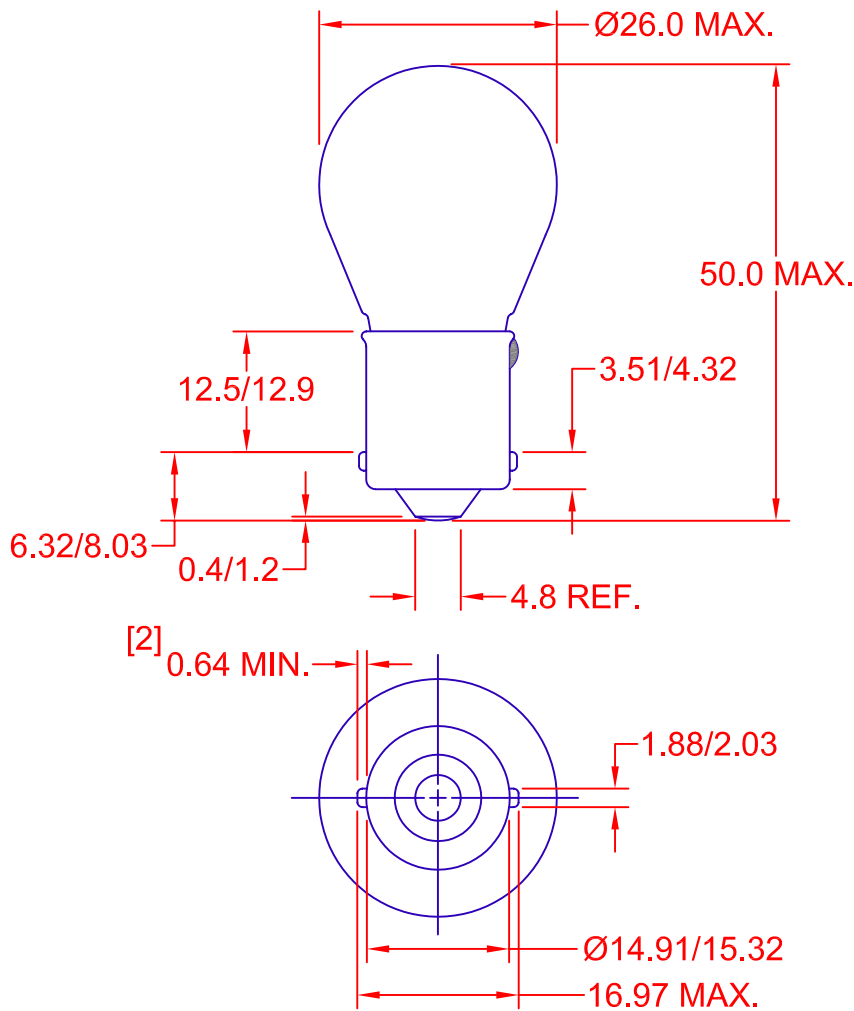
## Contact us

Tel: +86-755-8981 8866 Fax: +86-755-8427 6832

Email & Skype: info@chipsmall.com Web: www.chipsmall.com

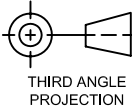
Address: A1208, Overseas Decoration Building, #122 Zhenhua RD., Futian, Shenzhen, China





JKL LAMP NUMBER	VOLTS RATED	AMPS ±10%	MSCP ±25%	LUMENS ±25%	AVERAGE LIFE HRS.	FILAMENT TYPE
1680	6.0	4.10	32.0	402.2	300	C-6
1295	12.5	3.00	50.0	628.5	300	C-2R
93	12.8	1.04	15.0	188.6	700	C-6
1156	12.8	2.10	32.0	402.2	1,200	C-6
305	28.0	.51	15.0	188.6	300	*C-2V
1691	28.0	.61	15.0	188.6	1,000	2C-2R
2232	28.0	.643	17.0	213.7	2,000	CC-8
307	28.0	.67	21.0	264.0	300	*C-2V
2233	28.0	.77	21.0	264.0	2,000	CC-8
1683	28.0	1.02	32.0	402.2	500	2C-6

\* SUPPORTED

		<b>METRIC</b>  THIRD ANGLE PROJECTION		DIMENSIONS ARE IN MILLIMETERS TOLERANCE UNLESS OTHERWISE SPECIFIED 1 PL +/- 0.2 2 PL +/- 0.20 ANGLE +/- 0		<b>JKL COMPONENTS CORPORATION</b> TITLE <b>S-8 SINGLE CONTACT BAYONET BASE LAMP</b>					
<b>B</b>	DELETE PART NO'S 1073 & 1665	4/28/04	DRAWN BY	APP'VD BY	DATE	SIZE	FSCM NO.	DRAWING NO.			
<b>A</b>	ADD PART NO. 2233	1/27/03	L. WENGSTROM	J.K.	4/28/04	<b>A</b>	<b>55335</b>	<b>BAYONET SINGLE CONTACT S-8</b>			
	RELEASED AS CAD	5/4/01	- CAD DRAWING -			SCALE	RELEASED DATE	REVISION DATE	REV. NO.	SHEET	
REV. NO.	DESCRIPTION/ECO NUMBER	APP'VD DATE	MANUAL REVISIONS NOT PERMITTED			NONE	5/4/01	4/28/04	<b>B</b>	1 OF 1	