



Chipsmall Limited consists of a professional team with an average of over 10 year of expertise in the distribution of electronic components. Based in Hongkong, we have already established firm and mutual-benefit business relationships with customers from,Europe,America and south Asia,supplying obsolete and hard-to-find components to meet their specific needs.

With the principle of “Quality Parts,Customers Priority,Honest Operation,and Considerate Service”,our business mainly focus on the distribution of electronic components. Line cards we deal with include Microchip,ALPS,ROHM,Xilinx,Pulse,ON,Everlight and Freescale. Main products comprise IC,Modules,Potentiometer,IC Socket,Relay,Connector.Our parts cover such applications as commercial,industrial, and automotives areas.

We are looking forward to setting up business relationship with you and hope to provide you with the best service and solution. Let us make a better world for our industry!



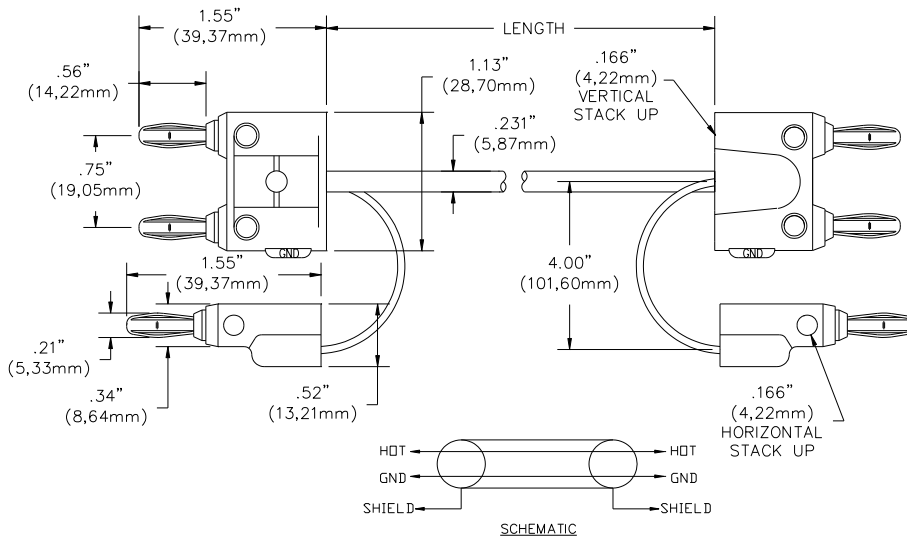
Contact us

Tel: +86-755-8981 8866 Fax: +86-755-8427 6832

Email & Skype: info@chipsmall.com Web: www.chipsmall.com

Address: A1208, Overseas Decoration Building, #122 Zhenhua RD., Futian, Shenzhen, China





FEATURES:

- ✓ Cable is ideal in audio applications where a low impedance shielded balance line is desired.
- ✓ Banana plugs feature Beryllium Copper springs for long insertion life & can be stacked horizontally/vertically.
- ✓ Banana plugs are molded directly to the cable and wires for robust pull strength.

MATERIALS:

Banana Plugs (Single and Double):

Body: Nickel Plated Brass

Spring: Nickel Plated Beryllium Copper

Insulation: Polypropylene, Color: Double – Gray, Single – Green

Two Conductors, Shielded Microphone Type Cable:

Two Conductors: 22 AWG, Standing 16 x 34 t.c.

Shield: Braided Tinned Copper

Jacket: PVC, O.D. .231" (5,87mm) Nom., Color: Gray

Shield Leads: 20 AWG, Stranding 41 x 36 t.c., PVC Insulated .087" (2,21mm) O.D., Color: Green

RATINGS:

Operating Voltage: Hands free usage in controlled voltage environments: 1000 Vrms maximum. *For CE compliance:* not intended for hand-held use at voltages above 33 Vrms/70 Vdc.

Operating Temperature: +131°F (+55°C)

ORDERING INFORMATION: Model 1167-Length

Length =: 18" (45,72cm), 24" (60,96cm), 30" (76,20cm), 36" (91,44cm), 48" (121,92cm), 60" (152,40cm).

For custom lengths, contact Sales or send email request to: custom@pomonatest.com.

All dimensions are in inches. Tolerances (except noted): .xx = ±.02" (.51 mm), .xxx = ±.005" (.127 mm).

All specifications are to the latest revisions. Specifications are subject to change without notice.

Registered trademarks are the property of their respective companies.

Sales: 800-490-2361 Fax: 888-403-3360 Technical Support: 800-241-2060 (technicalsupport@pomonatest.com)

For "Where to Buy" information, visit the Pomona web site at www.pomonaelectronics.com