



Chipsmall Limited consists of a professional team with an average of over 10 year of expertise in the distribution of electronic components. Based in Hongkong, we have already established firm and mutual-benefit business relationships with customers from,Europe,America and south Asia,supplying obsolete and hard-to-find components to meet their specific needs.

With the principle of “Quality Parts,Customers Priority,Honest Operation,and Considerate Service”,our business mainly focus on the distribution of electronic components. Line cards we deal with include Microchip,ALPS,ROHM,Xilinx,Pulse,ON,Everlight and Freescale. Main products comprise IC,Modules,Potentiometer,IC Socket,Relay,Connector.Our parts cover such applications as commercial,industrial, and automotives areas.

We are looking forward to setting up business relationship with you and hope to provide you with the best service and solution. Let us make a better world for our industry!



Contact us

Tel: +86-755-8981 8866 Fax: +86-755-8427 6832

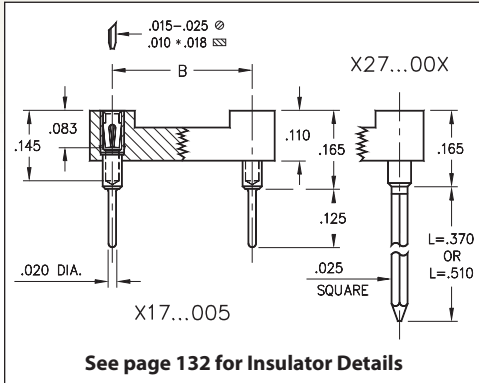
Email & Skype: info@chipsmall.com Web: www.chipsmall.com

Address: A1208, Overseas Decoration Building, #122 Zhenhua RD., Futian, Shenzhen, China

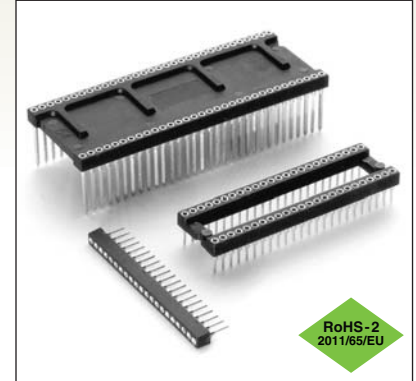


DUAL-IN-LINE SOCKETS

SERIES 117, 127, 217, 227, 317, 327 • SHRINK DIP, SOLDER TAIL & WRAPOST



- High density DIP sockets and strips for devices featuring .070" lead spacing
- Solder tails use MM #1802 receptacles, See page 169 for details. Wraposts use MM #1702-2 or 1703-3 receptacles, See page 198 for details
- Hi-Rel, 4-finger BeCu #30 contact is rated at 3 amps. See page 253 for details
- Insulators are high temperature thermoplastic, suitable for all soldering operations
- For Electrical, Mechanical and Environmental Data, see page 264 for details



Total number of pins	Pin Spacing			Quantity per tube	ORDERING INFORMATION							
	A	B	C		Solder Tail	L = .370 (2 Level Wrapost)	L = .510 (3 Level Wrapost)					
OPEN FRAME DIP SOCKET												
16	0.572	0.3	0.39	35	117-XX-316-41-005000	127-XX-316-41-002000	127-XX-316-41-003000					
28	0.992	0.4	0.49	20	117-XX-428-41-005000	127-XX-428-41-002000	127-XX-428-41-003000					
30	1.062	0.4	0.49	18	117-XX-430-41-005000	127-XX-430-41-002000	127-XX-430-41-003000					
48	1.692	0.4	0.49	12	117-XX-448-41-005000	127-XX-448-41-002000	127-XX-448-41-003000					
20	0.712	0.6	0.69	28	117-XX-620-41-005000	127-XX-620-41-002000	127-XX-620-41-003000					
28	0.992	0.6	0.69	20	117-XX-628-41-005000	127-XX-628-41-002000	127-XX-628-41-003000					
40	1.412	0.6	0.69	14	117-XX-640-41-005000	127-XX-640-41-002000	127-XX-640-41-003000					
42	1.482	0.6	0.69	13	117-XX-642-41-005000	127-XX-642-41-002000	127-XX-642-41-003000					
48	1.692	0.6	0.69	11	117-XX-648-41-005000	127-XX-648-41-002000	127-XX-648-41-003000					
52	1.832	0.6	0.69	11	117-XX-652-41-005000	127-XX-652-41-002000	127-XX-652-41-003000					
56	1.972	0.6	0.69	10	117-XX-656-41-005000	127-XX-656-41-002000	127-XX-656-41-003000					
64	2.252	0.6	0.69	8	117-XX-664-41-005000	127-XX-664-41-002000	127-XX-664-41-003000					
68	2.392	0.6	0.69	8	117-XX-668-41-005000	127-XX-668-41-002000	127-XX-668-41-003000					
64	2.252	0.75	0.84	8	117-XX-764-41-005000	127-XX-764-41-002000	127-XX-764-41-003000					
CLOSED FRAME DIP SOCKET												
64	2.252	0.75	0.84	8	217-XX-764-41-005000	227-XX-764-41-002000	227-XX-764-41-003000					
SINGLE ROW STRIP SOCKET												
If desired, we will supply any length up to 21 pins.												
21	1.482	---	.104	-	317-XX-121-41-005000	327-XX-121-41-002000	327-XX-121-41-003000					
XX=Plating Code See to Right					SPECIFY PLATING CODE XX=							
					Sleeve (Pin)		91	93	41	43		
					Contact (Clip)		200 μ" Sn/Pb	200 μ" Sn/Pb	200 μ" Sn	200 μ" Sn		
					10 μ" Au	30 μ" Au	10 μ" Au	30 μ" Au				

