



Chipsmall Limited consists of a professional team with an average of over 10 year of expertise in the distribution of electronic components. Based in Hongkong, we have already established firm and mutual-benefit business relationships with customers from,Europe,America and south Asia,supplying obsolete and hard-to-find components to meet their specific needs.

With the principle of “Quality Parts,Customers Priority,Honest Operation,and Considerate Service”,our business mainly focus on the distribution of electronic components. Line cards we deal with include Microchip,ALPS,ROHM,Xilinx,Pulse,ON,Everlight and Freescale. Main products comprise IC,Modules,Potentiometer,IC Socket,Relay,Connector.Our parts cover such applications as commercial,industrial, and automotives areas.

We are looking forward to setting up business relationship with you and hope to provide you with the best service and solution. Let us make a better world for our industry!



Contact us

Tel: +86-755-8981 8866 Fax: +86-755-8427 6832

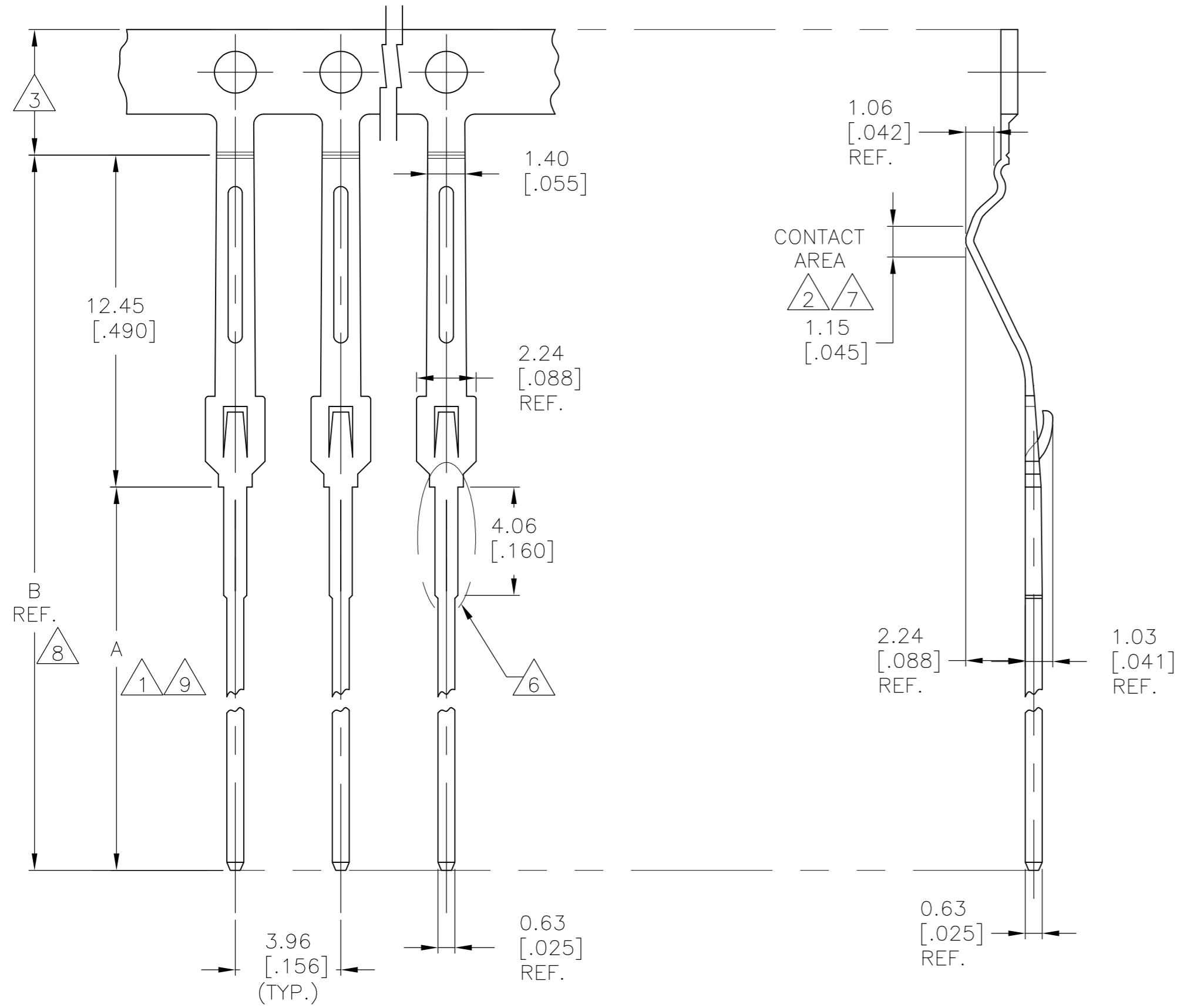
Email & Skype: info@chipsmall.com Web: www.chipsmall.com

Address: A1208, Overseas Decoration Building, #122 Zhenhua RD., Futian, Shenzhen, China

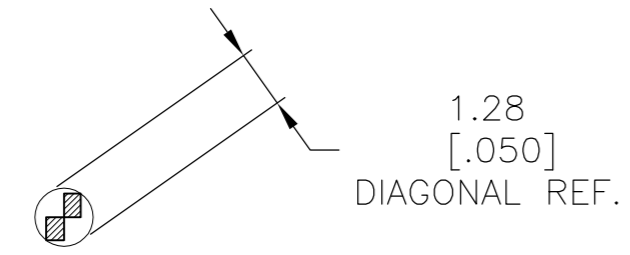


THIS DRAWING IS UNPUBLISHED. RELEASED FOR PUBLICATION
 © COPYRIGHT BY TYCO ELECTRONICS CORPORATION. ALL RIGHTS RESERVED.

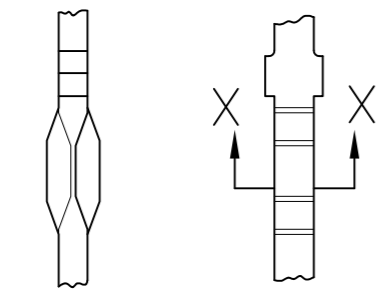
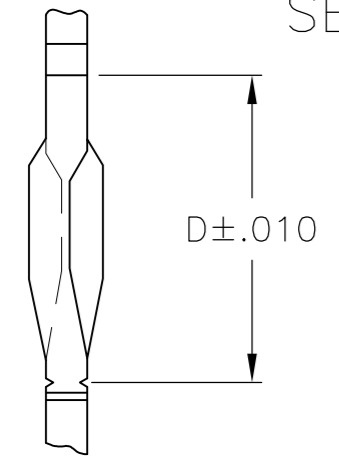
| LOC | DIST | REVISIONS | | | |
|-----|------|-----------------------------|---------|-----|------|
| P | LTR | DESCRIPTION | DATE | DWN | APVD |
| AD | 14 | | | | |
| | K | REVISED PER EC 063C-0205-05 | 06MAR06 | GS | MM |
| | K1 | REVISED PER ECO-09-020932 | 01SEP09 | KK | AEG |



- 1 GOLD PLATE PER MIL-0-45204 .000001 MIN. THK. OVER NICKEL PLATE.
- 2 GOLD PLATE PER MIL-G-45204 .000015 MIN. THK. OVER NICKEL PLATE.
- 3 PLATING IS NOT RREQUIRED ON CARRIER STRIP.
- 4. POST DIAGONAL .0310/.0350 AFTER PLATING
- 5. QUANTITY PER REEL-25,000
- 6 ACTION PIN AREA.
- 7 GOLD PL. PER MIL-G-45204 .000030 MIN. THK. OVER NICKEL PL.
- 8 GOLD PL. PER QQ-N-290 .000050 MIN. THK.
- 9 SOLDER PL. .000100 MIN. THK. OVER NICKEL PL.
- 10 MATTE TIN PL. .000100 MIN. THK. OVER NICKEL PL.
- 11 OBSOLETE PARTS: OBSOLETE CIS STREAMLINING PER D.RENAUD/D.SINISI



SECTION "X"-"X"



NOTE:
REFER TO AMP SPEC. 106-14018 OR 106-14019, AS APPLICABLE FOR SPECIFIC HOLE SIZE RECOMMENDATIONS.

OBSOLETE

| COMB NO. | DETAIL C(D) | FINISH | B | A | PART NO. | |
|----------|-------------|--------|------|--|------------|----------------|
| 111 | OBSOLETE | - | .160 | $\begin{matrix} \triangle 7 & \triangle 8 & \triangle 10 \\ \triangle 7 & \triangle 8 & \triangle 10 \end{matrix}$ | .965 .475 | -7-117285-3- |
| 119328 | - | - | .160 | UNPLATED | .965 .475 | 6-117285-8 |
| - | - | - | .160 | UNPLATED | .965 .475 | 2-117285-7 |
| - | - | - | .405 | - | 1.192 .702 | 2- OBSOLETE -5 |
| - | - | - | .190 | - | .965 .475 | 2 |
| - | - | - | .160 | - | .965 .475 | 2 |
| - | - | - | .415 | - | 1.192 .702 | 2- OBSOLETE -2 |
| - | - | - | .200 | - | .965 .475 | 2- OBSOLETE -1 |
| 119529 | .160 | - | .160 | - | .965 .475 | 2 |
| 119330 | - | - | .160 | - | 1.192 .702 | 1 |
| 119328 | - | - | .160 | - | .965 .475 | 1-117285-8 |

| COMB NO. | DETAIL C(D) | FINISH | B | A | PART NO. |
|----------|-------------|--|-------|------|----------------|
| - | - | $\begin{matrix} \triangle 2 & \triangle 8 & \triangle 9 \\ \triangle 2 & \triangle 8 & \triangle 9 \end{matrix}$ | 1.192 | .702 | 1- OBSOLETE -7 |
| - | - | $\begin{matrix} \triangle 2 & \triangle 8 & \triangle 9 \\ \triangle 2 & \triangle 8 & \triangle 9 \end{matrix}$ | .965 | .475 | 1- -6 |
| - | - | $\begin{matrix} \triangle 2 & \triangle 8 & \triangle 9 \\ \triangle 2 & \triangle 8 & \triangle 9 \end{matrix}$ | .965 | .475 | 1- OBSOLETE -5 |
| - | - | - | 1.192 | .702 | 1- OBSOLETE -4 |
| .190 | - | $\begin{matrix} \triangle 1 & \triangle 7 & \triangle 8 \\ \triangle 1 & \triangle 7 & \triangle 8 \end{matrix}$ | .965 | .475 | 1 |
| .160 | - | $\begin{matrix} \triangle 1 & \triangle 7 & \triangle 8 \\ \triangle 1 & \triangle 7 & \triangle 8 \end{matrix}$ | .965 | .475 | 1 |
| .415 | - | $\begin{matrix} \triangle 1 & \triangle 2 & \triangle 8 \\ \triangle 1 & \triangle 2 & \triangle 8 \end{matrix}$ | .965 | .475 | 1- OBSOLETE -1 |
| .200 | - | $\begin{matrix} \triangle 1 & \triangle 2 & \triangle 8 \\ \triangle 1 & \triangle 2 & \triangle 8 \end{matrix}$ | .965 | .475 | 1- OBSOLETE -0 |
| .160 | - | $\begin{matrix} \triangle 1 & \triangle 2 & \triangle 8 \\ \triangle 1 & \triangle 2 & \triangle 8 \end{matrix}$ | .965 | .475 | |
| - | - | $\begin{matrix} \triangle 1 & \triangle 7 & \triangle 8 \\ \triangle 1 & \triangle 7 & \triangle 8 \end{matrix}$ | 1.192 | .702 | 117285-8 |
| - | - | $\begin{matrix} \triangle 1 & \triangle 7 & \triangle 8 \\ \triangle 1 & \triangle 7 & \triangle 8 \end{matrix}$ | .965 | .475 | 117285-7 |
| - | - | $\begin{matrix} \triangle 1 & \triangle 2 & \triangle 8 \\ \triangle 1 & \triangle 2 & \triangle 8 \end{matrix}$ | 1.192 | .702 | 117285-5 |
| - | - | $\begin{matrix} \triangle 1 & \triangle 2 & \triangle 8 \\ \triangle 1 & \triangle 2 & \triangle 8 \end{matrix}$ | .965 | .475 | 117285-2 |

DETAIL C

VIEW V

ACTION PIN AREA

THIS DRAWING IS A CONTROLLED DOCUMENT.

| | | | |
|---|---|--|---|
| DIMENSIONS: mm [INCHES] | TOLERANCES UNLESS OTHERWISE SPECIFIED: 0 PLC ± - 1 PLC ± - 2 PLC ± - 3 PLC ± .010 4 PLC ± - ANGLES ± 5° | DWN - CHK - APVD - | Tyco Electronics Harrisburg, Pa 17105-3608 |
| MATERIAL COPPER-NICKEL-TIN ALLOY STRIP COPPER ALLOY NO.725 SPRING TEMPER | FINISH $\begin{matrix} \triangle 1 & \triangle 2 & \triangle 6 & \triangle 7 \end{matrix}$ | PRODUCT SPEC - APPLICATION SPEC - WEIGHT - | NAME CONTACT, ECONOMATE I (.156 X .200 CL.) |
| CUSTOMER DRAWING | | SCALE 6:1 | SHEET 1 OF 1 |