



Chipsmall Limited consists of a professional team with an average of over 10 year of expertise in the distribution of electronic components. Based in Hongkong, we have already established firm and mutual-benefit business relationships with customers from,Europe,America and south Asia,supplying obsolete and hard-to-find components to meet their specific needs.

With the principle of “Quality Parts,Customers Priority,Honest Operation,and Considerate Service”,our business mainly focus on the distribution of electronic components. Line cards we deal with include Microchip,ALPS,ROHM,Xilinx,Pulse,ON,Everlight and Freescale. Main products comprise IC,Modules,Potentiometer,IC Socket,Relay,Connector.Our parts cover such applications as commercial,industrial, and automotives areas.

We are looking forward to setting up business relationship with you and hope to provide you with the best service and solution. Let us make a better world for our industry!



## Contact us

Tel: +86-755-8981 8866 Fax: +86-755-8427 6832

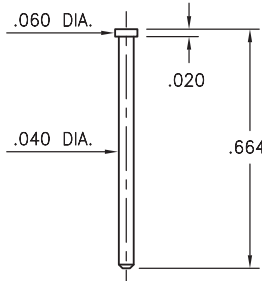
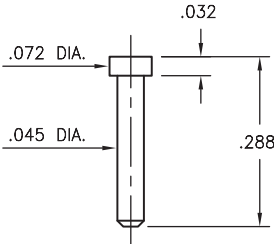
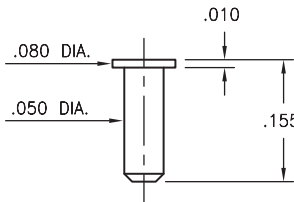
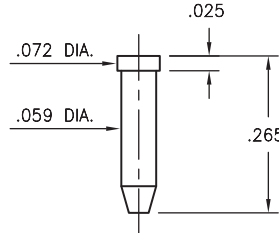
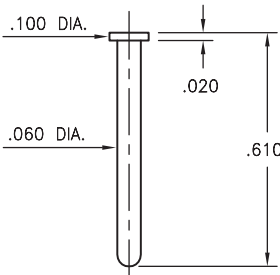
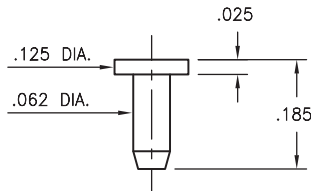
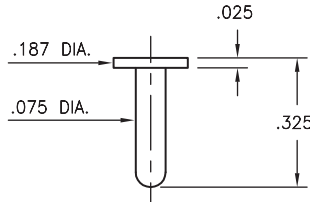
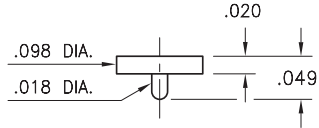
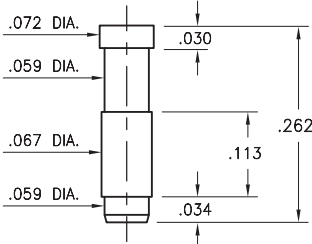
Email & Skype: info@chipsmall.com Web: www.chipsmall.com

Address: A1208, Overseas Decoration Building, #122 Zhenhua RD., Futian, Shenzhen, China



# MALE PCB PINS

## PRINTED CIRCUIT PINS • NAIL HEAD TYPE

<p><b>1179</b>  <b>1179-0-00-XX-00-00-33-0</b>            Solder mount in .044 mounting hole</p> 	<p><b>9872</b>  <b>9872-0-00-XX-00-00-33-0</b>            Solder mount in .049 mounting hole</p> 	<p><b>2381</b>  <b>2381-0-00-XX-00-00-33-0</b>            Solder mount in .054 mounting hole</p> 	<p><b>9265</b>  <b>9265-0-00-XX-00-00-38-0</b>            Solder mount in .063 mounting hole</p> 
<p><b>6142</b>  <b>6142-0-00-XX-00-00-33-0</b>            Solder mount in .064 mounting hole</p> 	<p><b>9022</b>  <b>9022-0-00-XX-00-00-33-0</b>            Solder mount in .066 mounting hole            Also available on 24mm wide carrier tape:            1,500 parts per 13" reel.            Order as: 9022-0-57-XX-00-00-33-0</p> 	<p><b>8086</b>  <b>8086-0-00-XX-00-00-33-0</b>            Solder mount in .079 mounting hole</p> 	<p><b>4541</b>  <b>4541-0-00-XX-00-00-03-0</b>            Solder mount in .022 mounting hole</p> 
<p><b>1980</b>  <b>1980-0-00-00-XX-00-03-0</b>            Surface mount, Target Connector            Also available on carrier tape: 1,450 parts per            13" reel. Order as: 319-10-1XX-40-080001</p> 			

### SPECIFICATIONS:

**Pin Material:** Brass Alloy 360, 1/2 Hard  
 ( Except where noted )

### Dimensions: Inches

**Tolerances On:** Lengths:  $\pm .005$   
 Diameters:  $\pm .002$   
 Angles:  $\pm 2^\circ$



**ORDER CODE:** XXXX - 0 - 00 - XX - 00 - 00 - XX - 0

**BASIC PART #** →

**SPECIFY PIN FINISH:**

- 01 200  $\mu$ m TIN/LEAD OVER NICKEL
- ◆ 80 200  $\mu$ m TIN OVER NICKEL (RoHS)
- ◆ 15 10  $\mu$ m GOLD OVER NICKEL (RoHS)
- ◆ 21 20  $\mu$ m GOLD OVER NICKEL (RoHS)
- ◆ 34 50  $\mu$ m GOLD OVER NICKEL (RoHS)

