



Chipsmall Limited consists of a professional team with an average of over 10 year of expertise in the distribution of electronic components. Based in Hongkong, we have already established firm and mutual-benefit business relationships with customers from,Europe,America and south Asia,supplying obsolete and hard-to-find components to meet their specific needs.

With the principle of “Quality Parts,Customers Priority,Honest Operation,and Considerate Service”,our business mainly focus on the distribution of electronic components. Line cards we deal with include Microchip,ALPS,ROHM,Xilinx,Pulse,ON,Everlight and Freescale. Main products comprise IC,Modules,Potentiometer,IC Socket,Relay,Connector.Our parts cover such applications as commercial,industrial, and automotives areas.

We are looking forward to setting up business relationship with you and hope to provide you with the best service and solution. Let us make a better world for our industry!



Contact us

Tel: +86-755-8981 8866 Fax: +86-755-8427 6832

Email & Skype: info@chipsmall.com Web: www.chipsmall.com

Address: A1208, Overseas Decoration Building, #122 Zhenhua RD., Futian, Shenzhen, China



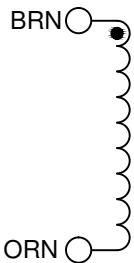
PRIMARY

SECONDARY

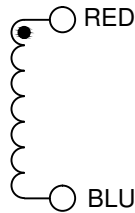
PRIMARY #1
117V 50/60Hz



PRIMARY #2
117V 50/60Hz



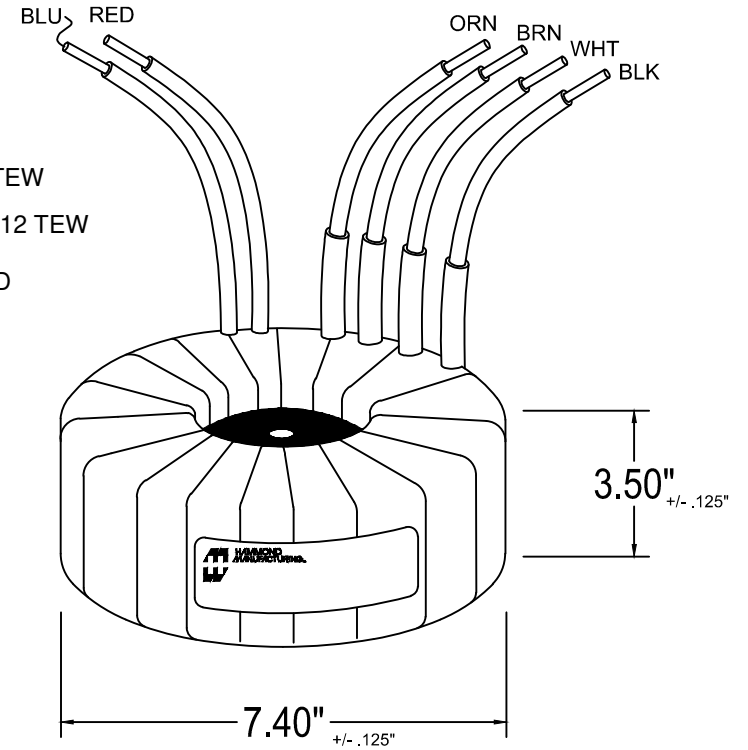
SECONDARY
240V @ 6.30 Amps



PRIMARY LEADS ARE #12 TEW
SECONDARY LEADS ARE #12 TEW

ALL LEADS OUT 8"-9" AND STRIPPED 0.5" MIN.

WEIGHT: 24.75lbs +/- 4%



HAMMOND MANUFACTURING **1182Q240P**
50/60Hz VA:1500

PRI: 2x 117V BLK-WHT, BRN-ORN
SEC: 1x 240V @ 6.30A RED-BLU

1A1500A010A000240 **RoHS Compliant**

MADE IN CANADA DATE PB **CE** **UL** **CSA**

SUPPLIED WITH: ONE 0.125" T X 6.00" OD RUBBER WASHER.
EPOXY CENTER FILLED 0.50" FROM THE TOP AND DRILLED 13/32" FOR A 3/8 BOLT.
ONE 3/8-16 BOLT 4.00" LONG WITH A LOCK WASHER AND 3/8-16 HEX NUT.

ELECTRICAL DATA:		
TESTS	CONDITIONS	ACCEPTANCE CRITERIA
Sec. N.L.V	@ 117V, 60Hz BLK & BRN to WHT & ORN	
OR	@ 234V, 50Hz BLK to ORN (Connect BRN & WHT)	
	RED - BLU	245.54 V ±2%
POLARITY	BLK, BRN and RED.	ADDITIVE
DCR	BLK - WHT	0.160 Ohms ±20%
IN OHMS	BRN - ORN	0.160 Ohms ±20%
	RED - BLU	0.360 Ohms ±20%
HIPOT	PRIMARY - SECONDARY	4000V, 60Hz, 1 SEC
	PRIMARY - PRIMARY	600V, 60Hz, 1 SEC

PROPERTY AND COPYRIGHT NOTICE			
THIS DRAWING AND THE INFORMATION IT CONVEYS ARE THE PROPERTY OF HAMMOND MANUFACTURING. IT MAY NOT BE REPRODUCED, TRANSMITTED OR USED IN ANY MANNER WHATSOEVER WITHOUT THE WRITTEN PERMISSION OF HAMMOND MANUFACTURING.			
REV	NOTES	BY	DATE
1	UPDATED THE HARDWARE, WAS 3/8-16 X 3.5" LONG.	GG	16/04/14
		HAMMOND MANUFACTURING ELECTRONIC DIVISION 52 RANKIN PLACE, WATERLOO, ONTARIO, N2J 3Z5 PHONE: 519.886.6181 FAX: 519.886.9540	
TOROID POWER TRANSFORMER			
DRAWN	DATE	NUMBER	
G. GRAY	21/03/2014	1182Q240P	
APPROVED	DATE		