



Chipsmall Limited consists of a professional team with an average of over 10 year of expertise in the distribution of electronic components. Based in Hongkong, we have already established firm and mutual-benefit business relationships with customers from,Europe,America and south Asia,supplying obsolete and hard-to-find components to meet their specific needs.

With the principle of “Quality Parts,Customers Priority,Honest Operation,and Considerate Service”,our business mainly focus on the distribution of electronic components. Line cards we deal with include Microchip,ALPS,ROHM,Xilinx,Pulse,ON,Everlight and Freescale. Main products comprise IC,Modules,Potentiometer,IC Socket,Relay,Connector.Our parts cover such applications as commercial,industrial, and automotives areas.

We are looking forward to setting up business relationship with you and hope to provide you with the best service and solution. Let us make a better world for our industry!



Contact us

Tel: +86-755-8981 8866 Fax: +86-755-8427 6832

Email & Skype: info@chipsmall.com Web: www.chipsmall.com

Address: A1208, Overseas Decoration Building, #122 Zhenhua RD., Futian, Shenzhen, China



P/N: 1196960

Copyright

© 2015, FLIR Systems, Inc.

All rights reserved worldwide. Names and marks appearing herein are either registered trademarks or trademarks of FLIR Systems and/or its subsidiaries. All other trademarks, trade names or company names referenced herein are used for identification only and are the property of their respective owners.

Document identity

Publ. No.: 1196960

Release:

Commit: 23380

Language: en-US

Modified: 2015-02-24

Formatted: 2015-03-25

Corporate Headquarters

FLIR Systems, Inc.

27700 SW Parkway Ave.

Wilsonville, OR 97070

USA

Telephone: +1-503-498-3547

Website

<http://www.flir.com>

Customer support

<http://support.flir.com>

Disclaimer

Specifications subject to change without further notice. Camera models and accessories subject to regional market considerations. License procedures may apply. Products described herein may be subject to US Export Regulations. Please refer to exportquestions@flir.com with any questions.



General description	
This wide angle lens has a field of view almost double that of the standard lens. Perfect for wide or tall targets or when working in crowded spaces.	
Imaging and optical data	
Field of view (FOV)	45° × 33.8°
Minimum focus distance	0.20 m (0.66 ft.)
Focal length	9.66 mm (0.38 in.)
Spatial resolution (IFOV)	Depends on the IR resolution of the camera: 5.18 mrad for 160 × 120 pixels 4.14 mrad for 200 × 150 pixels 3.45 mrad for 240 × 180 pixels 2.59 mrad for 320 × 240 pixels
F-number	1.3
Physical data	
Weight	0.105 kg (0.231 lb.), incl. two lens caps
Size (L × D)	38 × 47 mm (1.5 × 1.9 in.)
Shipping information	
Packaging, type	Cardboard box
List of contents	<ul style="list-style-type: none"> • Lens • Lens case
Packaging, weight	0.33 kg (0.73 lb.)
Packaging, size	172 × 131 × 133 mm (6.8 × 5.2 × 5.2 in.)
EAN-13	7332558001141 4743254000834 (Estonia plant)
UPC-12	845188000134
Country of origin	Sweden

Compatible with the following products

- 62103-1102; FLIR T420 (incl. Wi-Fi and 15° lens)
- 62103-1103; FLIR T420 (incl. Wi-Fi and 45° lens)

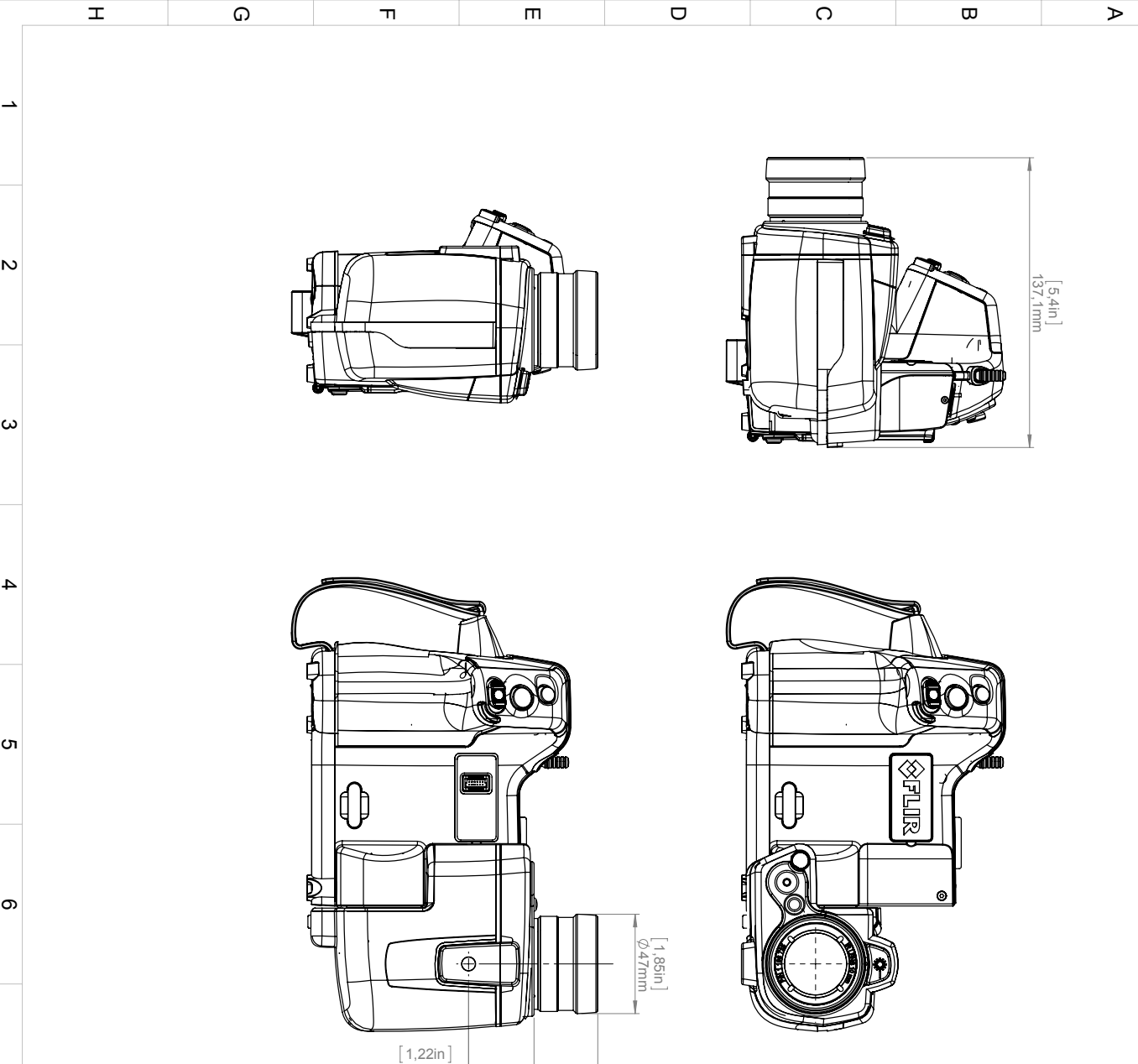
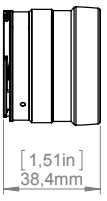
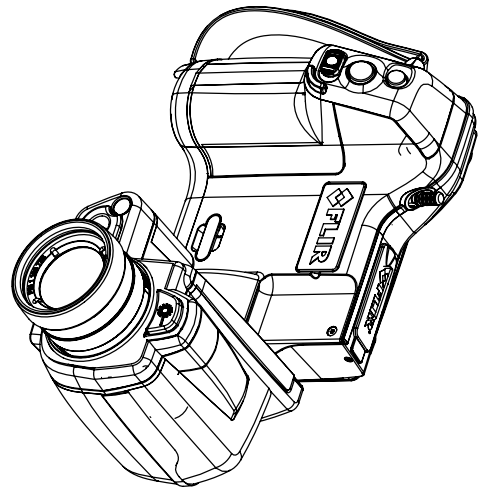
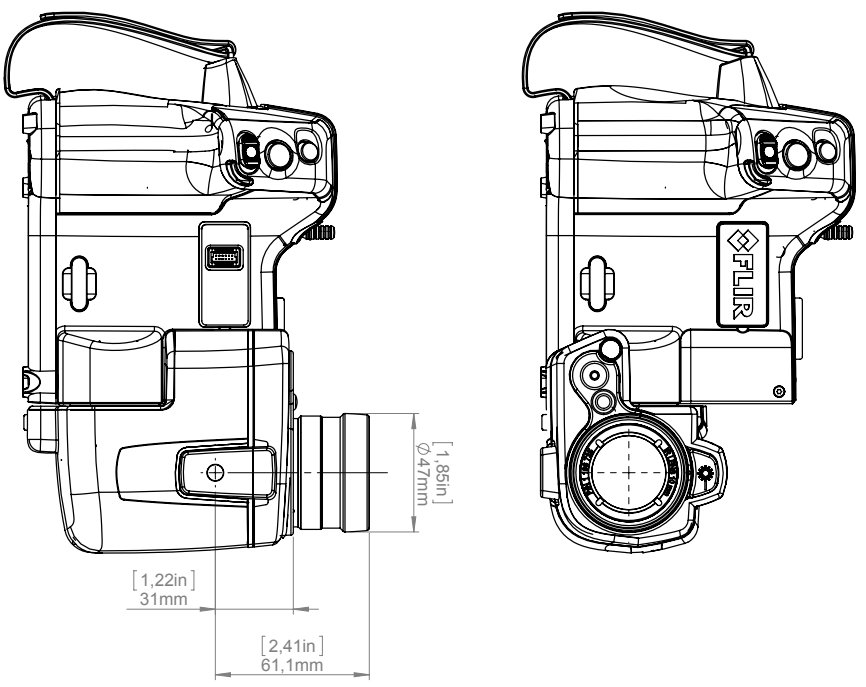
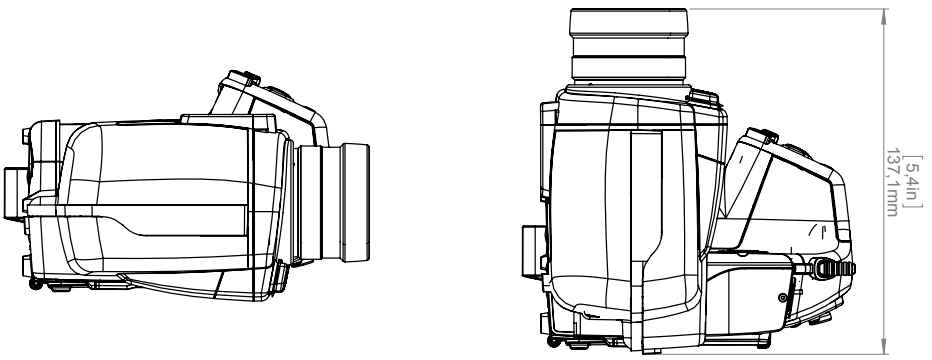
P/N: 1196960

© 2015, FLIR Systems, Inc.

#1196960; r. /23380; en-US

- 62103-1101; FLIR T420 (incl. Wi-Fi)
- 62103-1205; FLIR T420 with SC kit (incl. Wi-Fi and 45° lens)
- 62103-1501; FLIR T420bx (incl. Wi-Fi)
- 62104-2203; FLIR T430sc (incl. Wi-Fi)
- 62103-1301; FLIR T440 (incl. Wi-Fi)
- 62103-1701; FLIR T440bx (incl. Wi-Fi)
- 62104-1903; FLIR T450sc (incl. Wi-Fi)
- 62104-2801; FLIR T460 (incl. Wi-Fi)
- 48201-1001; FLIR A300
- 42701-1001; FLIR A300 (9 Hz)
- 42901-1001; FLIR A305sc
- 48201-1101; FLIR A310
- 42701-1101; FLIR A310 (9 Hz)
- 48001-1101; FLIR A315
- 42901-1101; FLIR A315 (9 Hz)
- 48201-1201; FLIR A320 Tempscreen
- 42701-1201; FLIR A320 Tempscreen (9 Hz)
- 48001-1001; FLIR A325sc
- 64502-0801; FLIR E33
- 64502-1001; FLIR E40
- 64501-0101; FLIR E40 (incl. Wi-Fi)
- 64501-0103; FLIR E40 with SC kit (incl. Wi-Fi and 45° lens)
- 64501-0501; FLIR E40bx (incl. Wi-Fi)
- 64502-1101; FLIR E50
- 64501-0201; FLIR E50 (incl. Wi-Fi)
- 64501-0601; FLIR E50bx (incl. Wi-Fi)
- 64502-1202; FLIR E60
- 64501-0302; FLIR E60 (incl. Wi-Fi)
- 64501-0702; FLIR E60bx (incl. Wi-Fi)
- 64501-0402; FLIR E63 (incl. Wi-Fi)

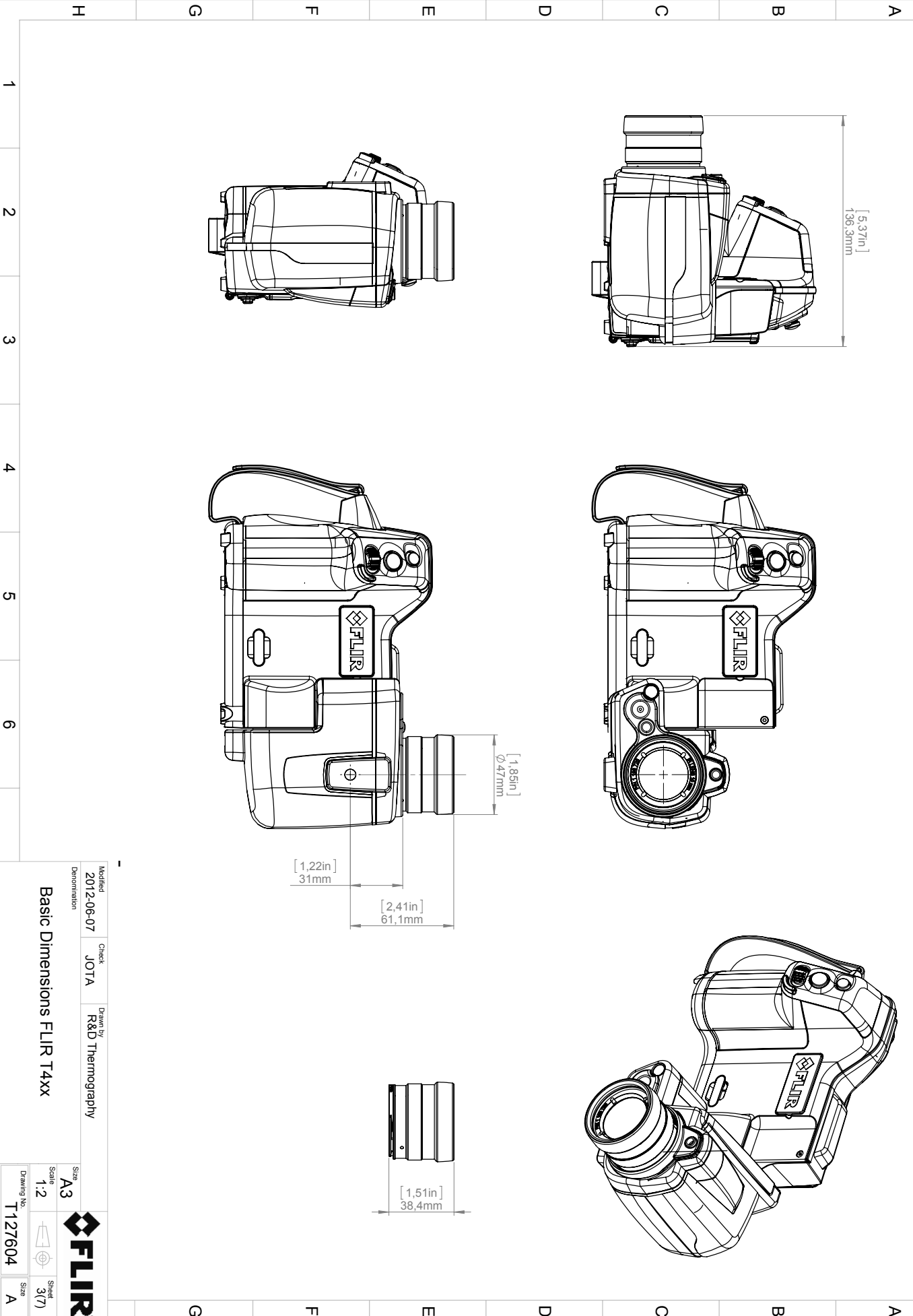
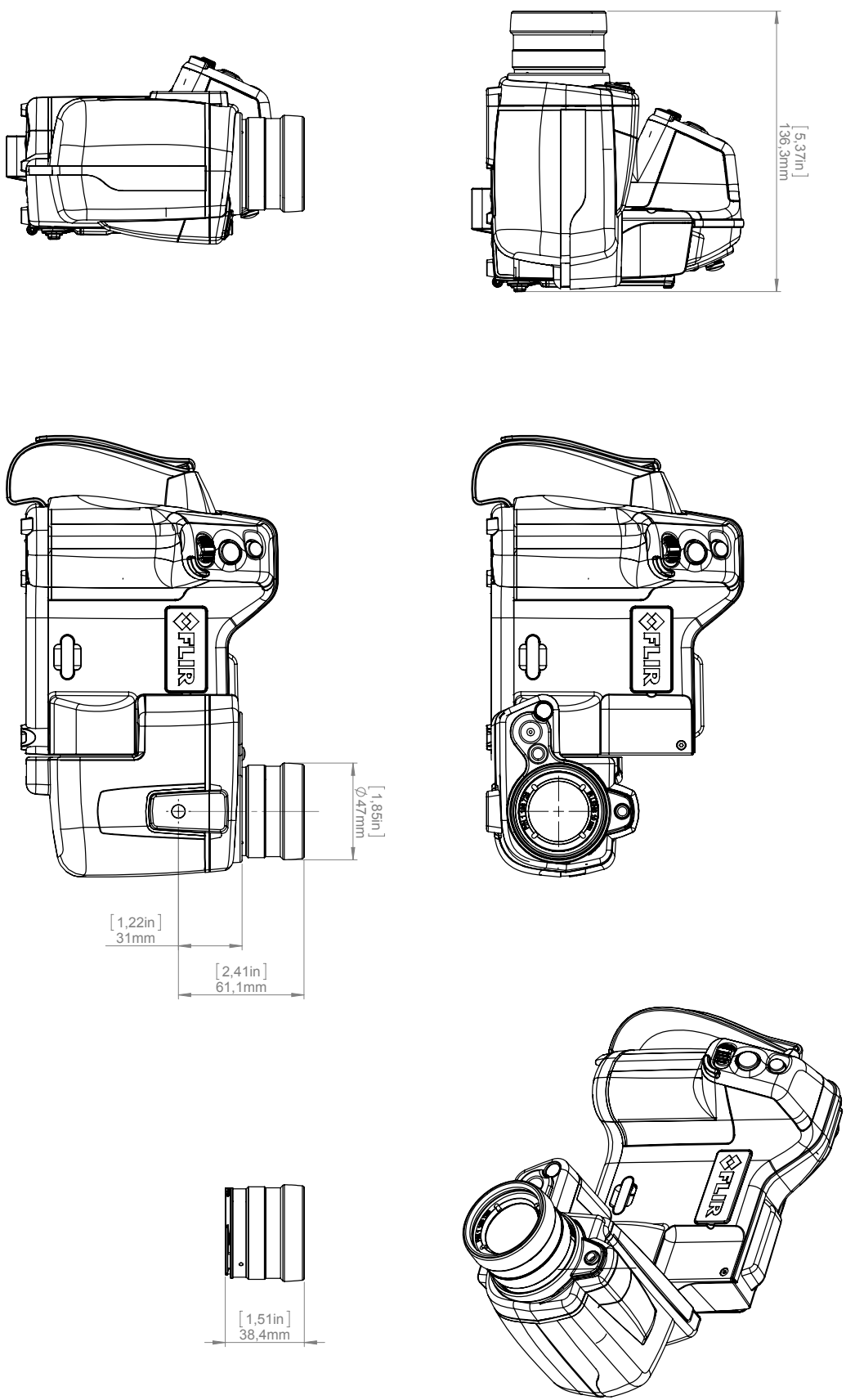
Camera with Lens IR f=10 mm (45°)



For additional dimensions see page 1

Modified 2012-04-18	Check CAHA	Drawn by R&D Thermography
Determination Basic dimensions FLIR Txxx/Bxxx		
Size A3	Scale 1:2	Sheet 3(7)
Drawing No. T197905		
		Sheet B

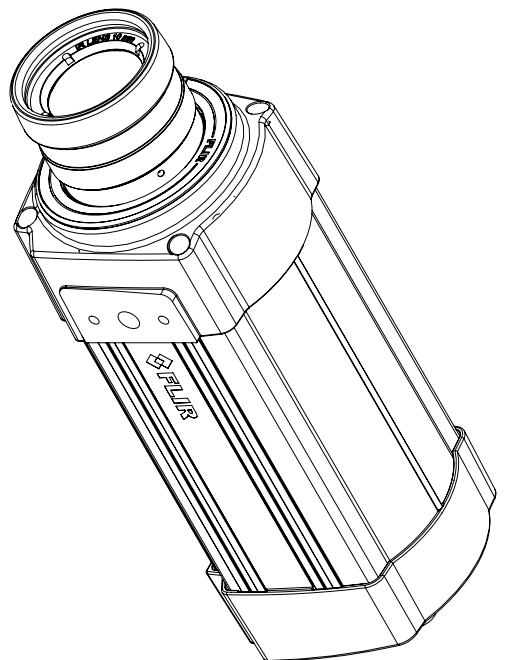
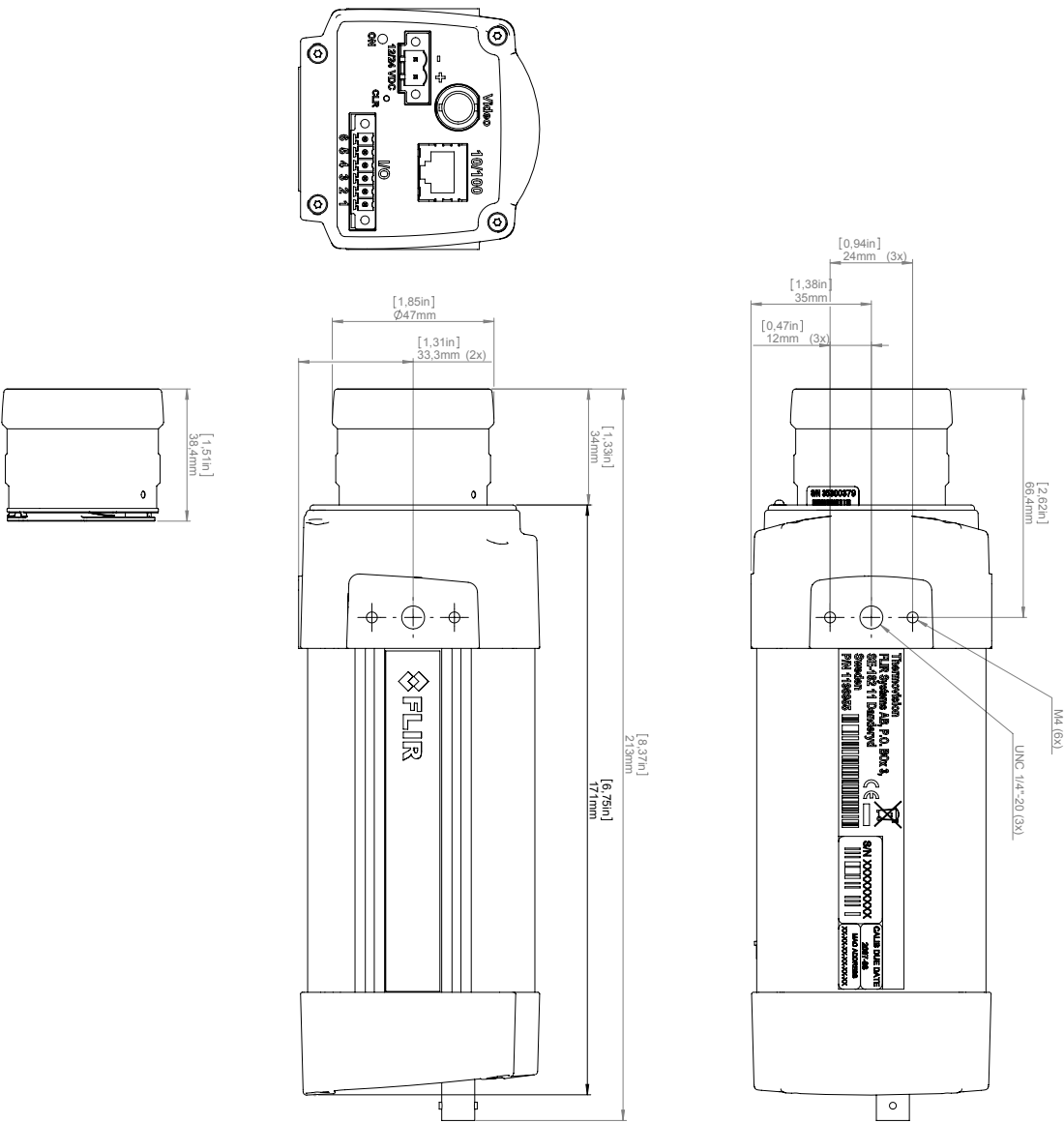
Camera with Lens IR f=10 mm (45°)



Modified 2012-06-07	Check JOTA	Drawn by R&D Thermography
Denomination Basic Dimensions FLIR T4XX		
Size A3	Scale 1:2	Sheet 3(7)
Drawing No. T127604		Size A



Camera with Lens IR f=10 mm (45°)

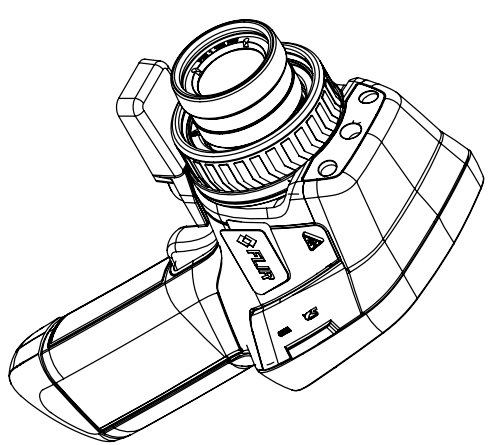
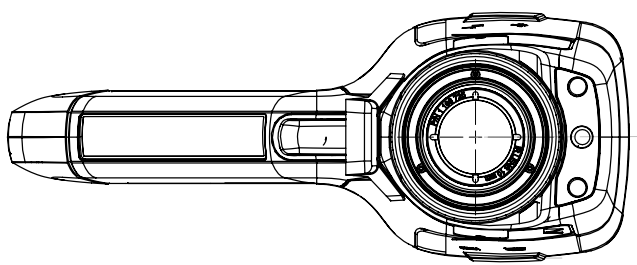
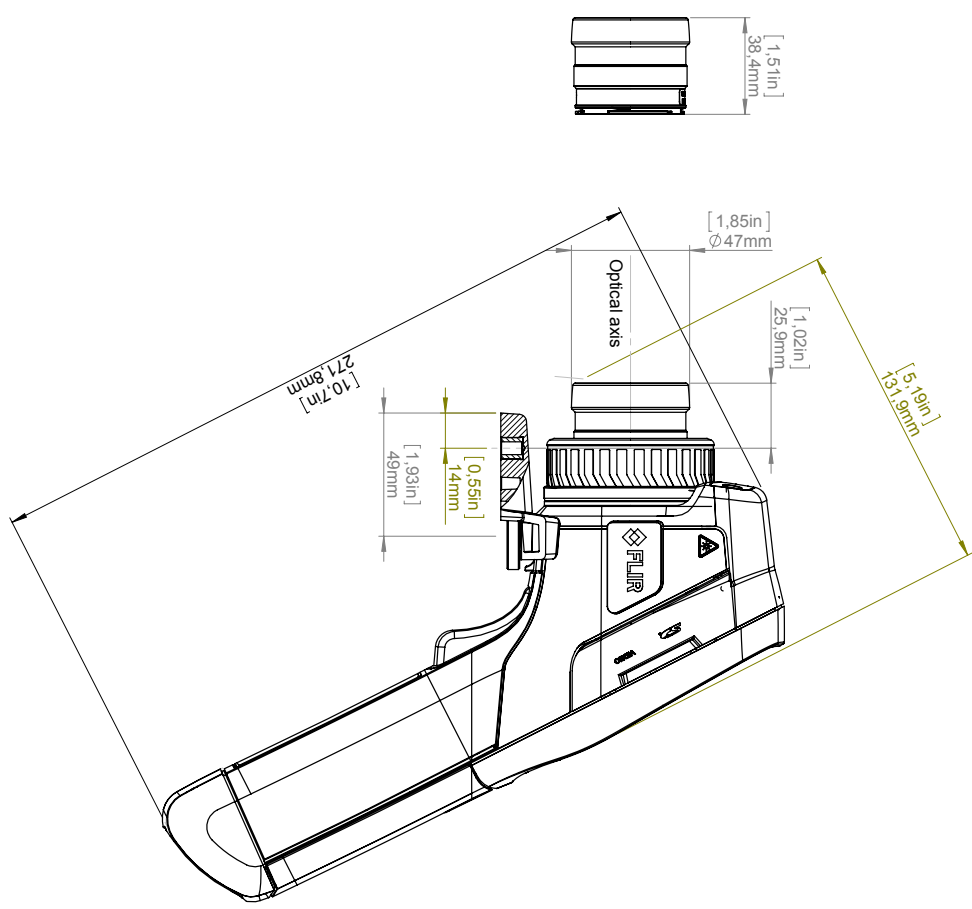


For additional dimensions see page 1

Model	2012-04-18	Check	CAHA	Drawn by	R&D Thermography
Revision					
Basic dimensions FLIR A3XX/SC3xx					
Size	A3	Scale	1:1	Sheet	3/9
Drawing No.	T125002	Sheet		Size	A



Camera with Lens IR f=10 mm (45°)



1	2	3	4	5	6	7	8	9	10
A	B	C	D	E	F	G	H		

For additional dimensions see page 1

Modified	2012-04-18	Check	CAHA	Drawn by	R&D Thermography
Denomination	Basic dimensions FLIR Exx				
Size	A3				
Scale	1:2				
Drawing No.	T 126960				
Sheet	Z(4)				
Size	A				

