



Chipsmall Limited consists of a professional team with an average of over 10 year of expertise in the distribution of electronic components. Based in Hongkong, we have already established firm and mutual-benefit business relationships with customers from,Europe,America and south Asia,supplying obsolete and hard-to-find components to meet their specific needs.

With the principle of "Quality Parts,Customers Priority,Honest Operation,and Considerate Service",our business mainly focus on the distribution of electronic components. Line cards we deal with include Microchip,ALPS,ROHM,Xilinx,Pulse,ON,Everlight and Freescale. Main products comprise IC,Modules,Potentiometer,IC Socket,Relay,Connector.Our parts cover such applications as commercial,industrial, and automotives areas.

We are looking forward to setting up business relationship with you and hope to provide you with the best service and solution. Let us make a better world for our industry!



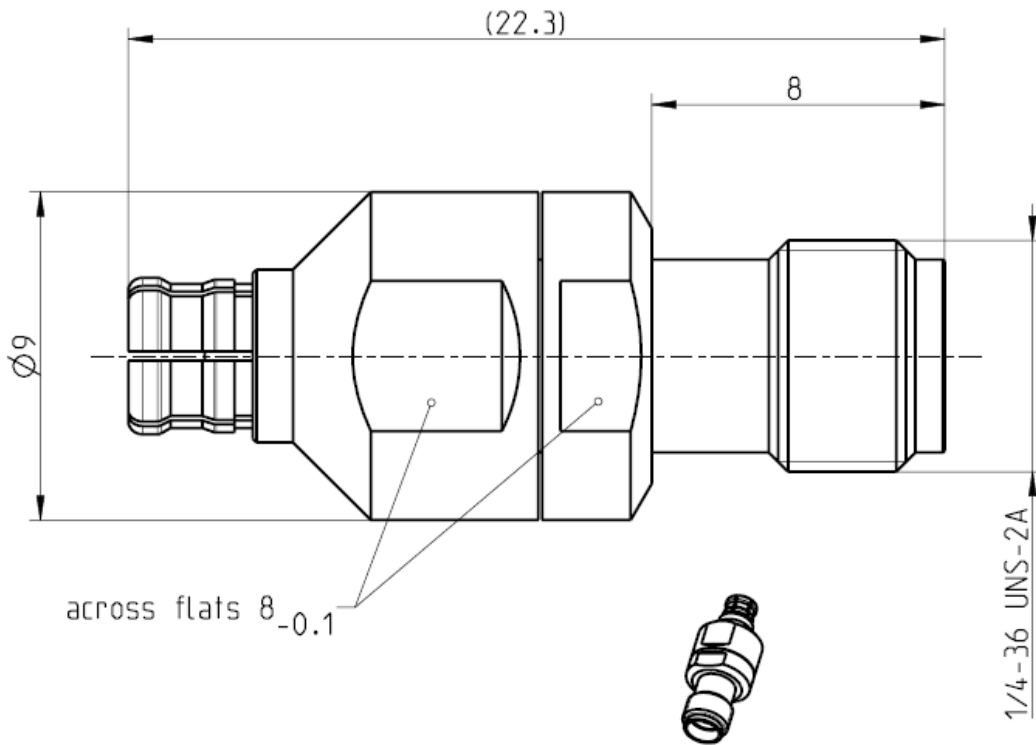
## Contact us

Tel: +86-755-8981 8866 Fax: +86-755-8427 6832

Email & Skype: info@chipsmall.com Web: www.chipsmall.com

Address: A1208, Overseas Decoration Building, #122 Zhenhua RD., Futian, Shenzhen, China





All dimensions are in mm; tolerances acc. to ISO 2768 m-H

**Interface**

According to	P-SMP side:	Rosenberger P-SMP
	SMA side:	IEC 60169-15; EN 122110; MIL-STD-348A, Fig. 310

**Documents**

N/A

**Material and plating**

**Connector parts**

Center contact  
Outer contact P-SMP side  
Outer contact SMA side  
Dielectric

**Material**

CuBe  
CuBe  
Stainless steel  
PTFE

**Plating**

AuroDur®, gold plated  
AuroDur®, gold plated  
Passivated

**Electrical data**

Impedance	50 Ω
Frequency	DC to 10 GHz
Return loss	≥ 38 dB, DC to 4 GHz ≥ 26 dB, 4 to 10 GHz
Insertion loss	≤ 0.05 x √f(GHz) dB, DC to 10 GHz
Insulation resistance	≥ 5 GΩ
Center contact resistance	≤ 3.0 mΩ
Outer contact resistance	≤ 2.0 mΩ
Test voltage	1000 V rms
Working voltage	480 V rms
Power handling (at 20 °C, sea level, VSWR 1.0)	≤ 200 W @ 2.2 GHz

**Mechanical data**

	SMA side	P-SMP side
Mating cycles	≥ 500	
if mating part is Smooth bore, Catchers mitt		≥ 1000
if mating part is Limited detent		≥ 100
if mating part is Full detent		≥ 100
Center contact captivation: axial	≥ 27 N	≥ 27 N
Engagement force:		
- Smooth bore, Catchers mitt	N/A	≤ 10 N
- Limited detent	N/A	≤ 45 N
- Full detent	N/A	≤ 68 N
Disengagement force:		
- Smooth bore, Catchers mitt	N/A	≥ 2.2 N
- Limited detent	N/A	≥ 15 N
- Full detent	N/A	≥ 25 N
Coupling test torque	≤ 1.7 Nm	N/A
Recommended torque	0.7 Nm to 1.1 Nm	N/A
Permissible angular misalignment		4°

**Environmental data**

Temperature range	-55°C to +155°C
Rapid change of temperature	IEC 60169-1, Sub-clause 16.4 (-55°C to +155°C)
Vibration	IEC 60068-2-64 random
Shock	IEC 60068-2-27 (half-sine)
High temperature endurance	IEC 60169-1, Sub-clause 18 (+155°C, 1000 hours)
2002/95/EC (RoHS)	compliant

**Weight**

Weight	4.8 g/pc
--------	----------

While the information has been carefully compiled to the best of our knowledge, nothing is intended as representation or warranty on our part and no statement herein shall be construed as recommendation to infringe existing patents. In the effort to improve our products, we reserve the right to make changes judged to be necessary.

Dieses Dokument ist urheberrechtlich geschützt • This document is protected by copyright • Rosenberger Hochfrequenztechnik GmbH & Co. KG

RF\_35/12.04/3.0

Draft	Date	Approved	Date	Rev.	Engineering change number	Name	Date
Huppenberger	25.11.09	Sa. Krautenbacher	10.03.14	e00	14-0352	T. Krojer	10.03.14
Rosenberger Hochfrequenztechnik GmbH & Co. KG P.O.Box 1260 D-84526 Tittmoning Germany <a href="http://www.rosenberger.de">www.rosenberger.de</a>					Tel.: +49 8684 18-0 Fax: +49 8684 18-499 email: <a href="mailto:info@rosenberger.de">info@rosenberger.de</a>		Page 2 / 2