



Chipsmall Limited consists of a professional team with an average of over 10 year of expertise in the distribution of electronic components. Based in Hongkong, we have already established firm and mutual-benefit business relationships with customers from,Europe,America and south Asia,supplying obsolete and hard-to-find components to meet their specific needs.

With the principle of "Quality Parts,Customers Priority,Honest Operation,and Considerate Service",our business mainly focus on the distribution of electronic components. Line cards we deal with include Microchip,ALPS,ROHM,Xilinx,Pulse,ON,Everlight and Freescale. Main products comprise IC,Modules,Potentiometer,IC Socket,Relay,Connector.Our parts cover such applications as commercial,industrial, and automotives areas.

We are looking forward to setting up business relationship with you and hope to provide you with the best service and solution. Let us make a better world for our industry!



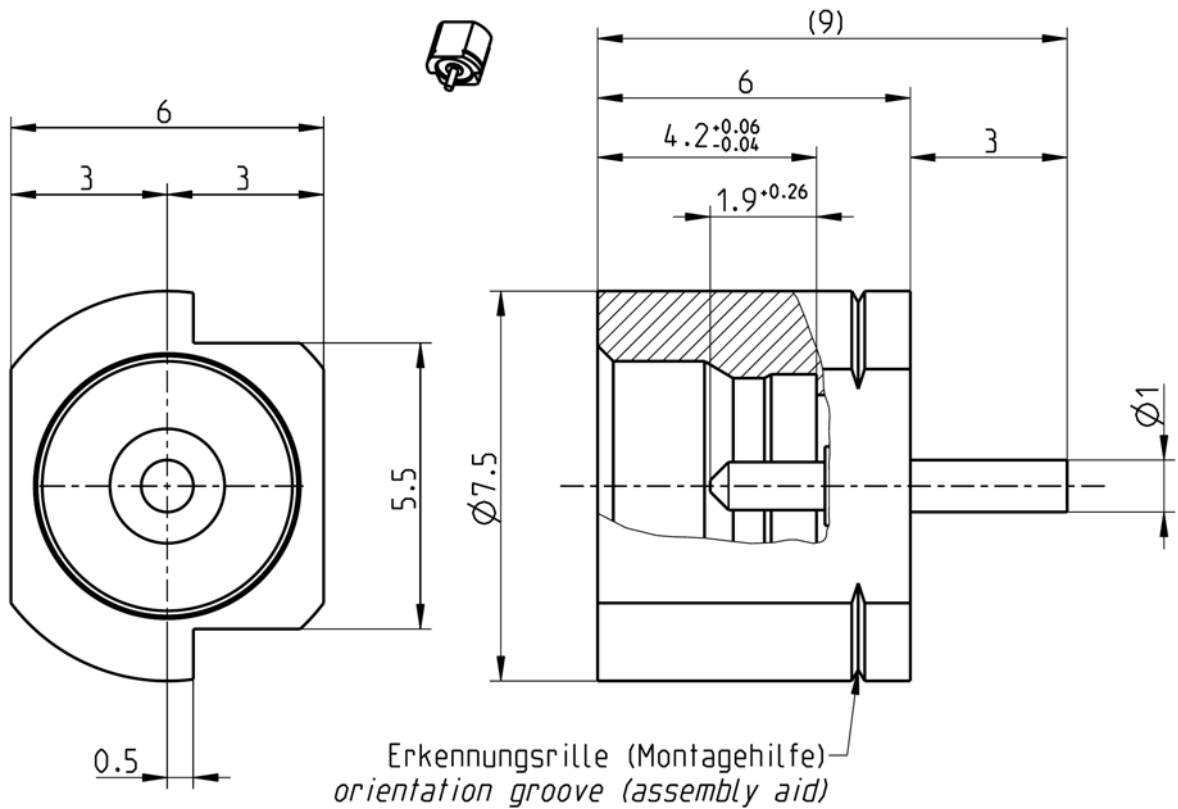
Contact us

Tel: +86-755-8981 8866 Fax: +86-755-8427 6832

Email & Skype: info@chipsmall.com Web: www.chipsmall.com

Address: A1208, Overseas Decoration Building, #122 Zhenhua RD., Futian, Shenzhen, China





All dimensions are in mm; tolerances acc. to ISO 2768 m-H

Interface

According to Rosenberger P-SMP

Documents

Panel piercing B 125d
Tape & Reel packaging VG172.95000

Material and plating

Connector parts

Center contact
Outer contact
Dielectric

Material

Brass
Brass
PTFE

Plating

AuroDur®, gold plated
AuroDur®, gold plated

Dieses Dokument ist urheberrechtlich geschützt • This document is protected by copyright • Rosenberger Hochfrequenztechnik GmbH & Co. KG

RF_35/06.07/5.0

Electrical data

| | |
|---|---|
| Impedance | 50 Ω |
| Frequency | DC to 10 GHz |
| Return loss | ≥ 30 dB, DC to 4 GHz ≥ 25 dB, 4 to 6 GHz |
| Insertion loss | ≤ 0.03 x √f(GHz) dB |
| Insulation resistance | ≥ 5 GΩ |
| Center contact resistance | ≤ 3.0 mΩ |
| Outer contact resistance | ≤ 2.0 mΩ |
| Test voltage (at sea level) | 1000 V rms |
| Working voltage (at sea level) | 480 V rms |
| Power handling (at 20 °C, sea level) | ≤ 200 W @ 2.2 GHz |
| Intermodulation (3 rd order) | ≥ 160 dBc (2 x 43 dBm) |

- Connector only, VSWR in application depends decisive on PCB layout

Mechanical data

| | |
|----------------------------|-----------|
| Mating cycles | ≥ 100 |
| Center contact captivation | ≥ 7 N |
| Engagement force | 45 N max. |
| Disengagement force | 15 N min. |

Environmental data

| | |
|-----------------------------|---|
| Temperature range | -65°C to +165°C |
| Rapid change of temperature | IEC 60169-1, Sub-clause 16.4 (-65°C to +165°C) |
| Vibration | IEC 60068-2-64 random |
| Shock | IEC 60068-2-27 (half-sine) |
| High temperature endurance | IEC 60169-1, Sub-clause 18 (+165°C, 1000 hours) |
| Max. soldering temperature | IEC 61760-1, +260°C for 10 sec. |
| 2002/95/EC (RoHS) | compliant |

Tooling

N/A

Suitable cables

N/A

Weight

| | |
|--------|----------|
| Weight | 1.2 g/pc |
|--------|----------|

While the information has been carefully compiled to the best of our knowledge, nothing is intended as representation or warranty on our part and no statement herein shall be construed as recommendation to infringe existing patents. In the effort to improve our products, we reserve the right to make changes judged to be necessary.

| Draft | Date | Approved | Date | Rev. | Engineering change number | Name | Date |
|--|----------|-------------------|----------|--|---------------------------|-----------|---------------|
| Weidensp. R. | 01.05.10 | Sa. Krautenbacher | 11.03.14 | f00 | 14-0352 | T. Krojer | 11.03.14 |
| Rosenberger Hochfrequenztechnik GmbH & Co. KG P.O.Box 1260 D-84526 Tittmoning Germany www.rosenberger.de | | | | Tel.: +49 8684 18-0 Fax: +49 8684 18-499 email: info@rosenberger.de | | | Page 2 / 2 |