



Chipsmall Limited consists of a professional team with an average of over 10 year of expertise in the distribution of electronic components. Based in Hongkong, we have already established firm and mutual-benefit business relationships with customers from,Europe,America and south Asia,supplying obsolete and hard-to-find components to meet their specific needs.

With the principle of “Quality Parts,Customers Priority,Honest Operation,and Considerate Service”,our business mainly focus on the distribution of electronic components. Line cards we deal with include Microchip,ALPS,ROHM,Xilinx,Pulse,ON,Everlight and Freescale. Main products comprise IC,Modules,Potentiometer,IC Socket,Relay,Connector.Our parts cover such applications as commercial,industrial, and automotives areas.

We are looking forward to setting up business relationship with you and hope to provide you with the best service and solution. Let us make a better world for our industry!



Contact us

Tel: +86-755-8981 8866 Fax: +86-755-8427 6832

Email & Skype: info@chipsmall.com Web: www.chipsmall.com

Address: A1208, Overseas Decoration Building, #122 Zhenhua RD., Futian, Shenzhen, China

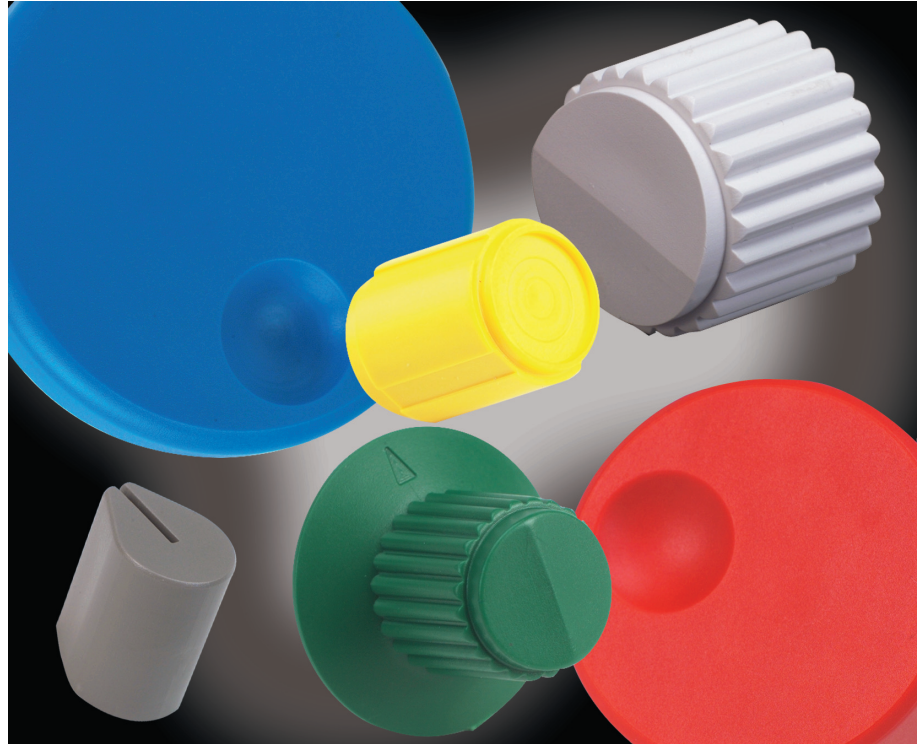


CONTROL KNOBS
Ideally Suited for Encoder and Rotary Switches

FEATURES

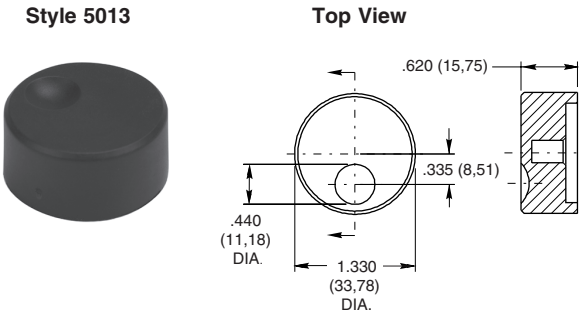
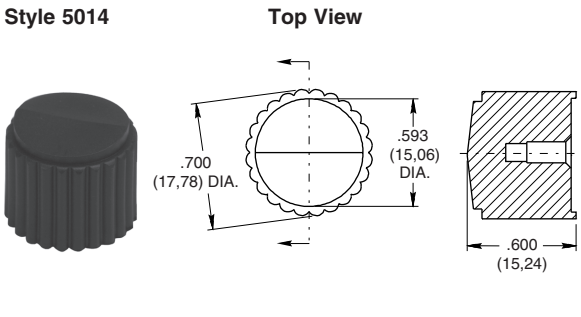
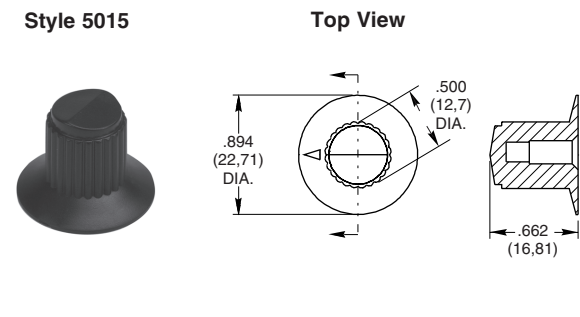
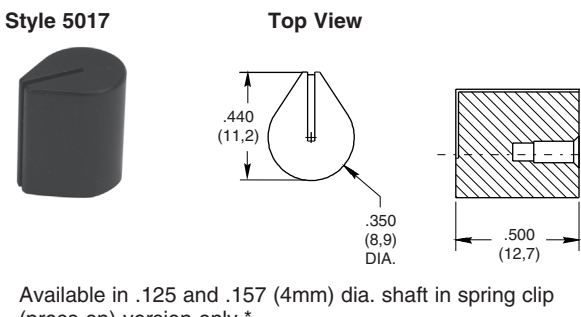
- Standard Fit for Grayhill Encoder and Rotary Switches
- Custom Materials, Styles, Colors and Markings Available
- Standard Black or Gray
- Choice of Spring Clip (Press-On) or Metal Insert with Set Screw Versions

Contact Grayhill for special design considerations



Optical and Mechanical Encoders

DIMENSIONS In inches (and millimeters)

<p>Style 5013</p>  <p>Available in .250 Dia. Shaft only.*</p>	<p>Style 5014</p> 
<p>Style 5015</p> 	<p>Style 5017</p>  <p>Available in .125 and .157 (4mm) dia. shaft in spring clip (press-on) version only.*</p>

*See Ordering Information.

DIMENSIONS In inches (and millimeters)

<p>Style 5019</p> <p>Top View</p>	<p>Style 5020</p> <p>Top View</p> <p>Available in ABS, .250 dia. shaft in spring clip (press-on). The locking clip is also available, requires a custom shaft.**</p>
<p>Style 5028</p> <p>Top View</p>	<p>Style 5029</p> <p>Top View</p>

*See Ordering Information.

**Contact Grayhill representative

ORDERING INFORMATION

11K5028-KCNB

Series
Style*: 5013, 5014, 5015, 5017, 5019, 5020, 5028, 5029
 (see dimension drawings for style options)

Shaft Diameter:
J = .125 dia. shaft
E = .157 (4mm) dia. shaft
K = .250 dia. shaft

Knob Color:
B = Black
G = Gray

Material:
A = ABS (available on the styles 5017 and 5020 only)
N = Nylon

Version:
C = Spring Clip (press-on)
L = Locking Clip (available on the style 5020 only)
M = Metal Insert w/Set Screw(s)

Custom materials, styles and colors are available.

For prices and discounts, contact a local sales office or Grayhill.

Optical and Mechanical Encoders