



Chipsmall Limited consists of a professional team with an average of over 10 year of expertise in the distribution of electronic components. Based in Hongkong, we have already established firm and mutual-benefit business relationships with customers from,Europe,America and south Asia,supplying obsolete and hard-to-find components to meet their specific needs.

With the principle of “Quality Parts,Customers Priority,Honest Operation,and Considerate Service”,our business mainly focus on the distribution of electronic components. Line cards we deal with include Microchip,ALPS,ROHM,Xilinx,Pulse,ON,Everlight and Freescale. Main products comprise IC,Modules,Potentiometer,IC Socket,Relay,Connector.Our parts cover such applications as commercial,industrial, and automotives areas.

We are looking forward to setting up business relationship with you and hope to provide you with the best service and solution. Let us make a better world for our industry!



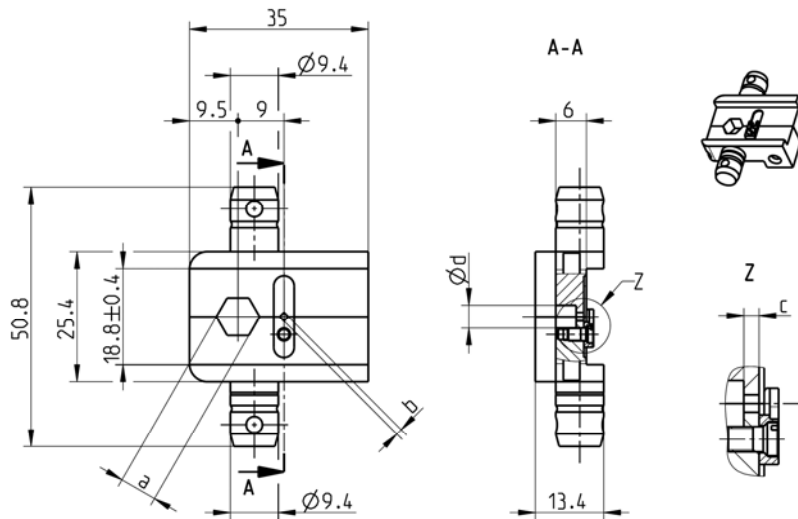
Contact us

Tel: +86-755-8981 8866 Fax: +86-755-8427 6832

Email & Skype: info@chipsmall.com Web: www.chipsmall.com

Address: A1208, Overseas Decoration Building, #122 Zhenhua RD., Futian, Shenzhen, China





Simplified view without mounting steel sheet and screw.

All dimensions are in mm; tolerances according to ISO 2768 m-H

Order-No.	Cable type	a	b	c	d	Weight (g/pce)
11W150-502	RG 316 /U, RG 174 A/U, RG 188 A/U, RG 179 B/U, RG 187 A/U	3.30	1.20	1.5	3.0	64.8
11W150-503	RG 316 /U-d, K02252d, RG 179 B/U-d, 2XCCX 0.45/1.5, 06YC(St)06Y 0.4/1.6	3.63	1.20	1.5	4.0	64.7
11W150-504	RG 180 B/U, 2YCY 0.4/2.5, RG 195 A/U, TZC 75024	4.30	1.10	1.5	4.5	64.2
11W150-506	RG 141 A/U, RG 58 C/U, 2YCCY 0.4/2.5, 2YC(ms)CY 0.4/2.5	5.35	1.10	1.5	4.5	63.8
11W150-508	RG 223 /U, RG 400 /U, RG 142 B/U	5.50	1.10	1.5	4.5	63.5
11W150-509	RG 59 B/U, RG 62 A/U, 2YC(ms)CY 0.5/3.0, 2YCY 0.7/4.4, TZC 75005, Flex 6	6.50	1.20	1.5	4.5	63.2
11W150-511	RG 71 B/U, BT 2003	7.05	1.20	1.5	4.5	63.1
11W150-550	BT 2001, Flex 3-75, 02Y(St)CY 0.45/2.0	4.55	1.20	1.5	4.5	64.0
11W150-5S4	ST 212	3.80	1.20	1.5	4.0	64.6

Tooling

Crimping tool 11W150-000

While the information has been carefully compiled to the best of our knowledge, nothing is intended as representation or warranty on our part and no statement herein shall be construed as recommendation to infringe existing patents. In the effort to improve our products, we reserve the right to make changes judged to be necessary.

Draft	Date	Approved	Date	Rev.	Engineering change number	Name	Date
Rong Fang	30/06/05	Sa. Krautenbacher	13.03.14	c00	14-0352	T. Krojer	13.03.14
Rosenberger Hochfrequenztechnik GmbH & Co. KG P.O.Box 1260 D-84526 Tittmoning Germany www.rosenberger.de					Tel.: +49 8684 18-0 Fax: +49 8684 18-499 email: info@rosenberger.de		Page 1 / 1