



Chipsmall Limited consists of a professional team with an average of over 10 year of expertise in the distribution of electronic components. Based in Hongkong, we have already established firm and mutual-benefit business relationships with customers from,Europe,America and south Asia,supplying obsolete and hard-to-find components to meet their specific needs.

With the principle of "Quality Parts,Customers Priority,Honest Operation,and Considerate Service",our business mainly focus on the distribution of electronic components. Line cards we deal with include Microchip,ALPS,ROHM,Xilinx,Pulse,ON,Everlight and Freescale. Main products comprise IC,Modules,Potentiometer,IC Socket,Relay,Connector.Our parts cover such applications as commercial,industrial, and automotives areas.

We are looking forward to setting up business relationship with you and hope to provide you with the best service and solution. Let us make a better world for our industry!



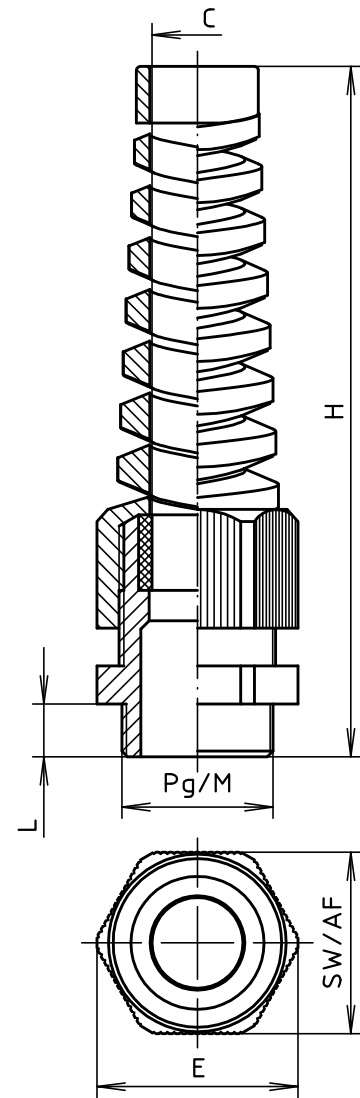
Contact us

Tel: +86-755-8981 8866 Fax: +86-755-8427 6832

Email & Skype: info@chipsmall.com Web: www.chipsmall.com

Address: A1208, Overseas Decoration Building, #122 Zhenhua RD., Futian, Shenzhen, China





Modell/model	Pg	Außen- \emptyset outside- \emptyset Pg	C	L	SW/ AF	H	E
BFK 7	Pg 7	12,5	3-6,5	8	15	63	16,3
BFK 9	Pg 9	15,2	4-8	8	19	74	21
BFK 11	Pg 11	18,6	5-10	8	22	87	24,5
BFK 13,5	Pg 13,5	20,4	6-12	9	24	98	26,5
BFK 16	Pg 16	22,5	10-14	10	27	112	29,5
BFK 21	Pg 21	28,3	13-18	11	33	130	36

Modell/model	M	C	L	SW/ AF	H	E
MBFK 12	M 12x1,5	3-6,5	8	15	63,5	16,3
MBFK 16	M 16x1,5	5-10	8	22	94,5	24,5
MBFK 20-1	M 20x1,5	6-12	8	24	101,5	26,5
MBFK 20-2	M 20x1,5	10-14	8	27	116	29,5
MBFK 25	M 25x1,5	13-18	8	33	132,5	36

Maßstab/ (1:1 symbolisch/symbolical) 

Zeichnungs-Nr. / Drawing-No.:
3K 0007.018.03

Artikel / Article:
Kabelverschraubung BFK../MBFK..
Cable gland BFK../MBFK..
Katalogzeichnung / Catalogue drawing

-	-
-	-
-	-
-	-
-	-
-	-
-	-
3768	20.10.05
3736	30.03.05
Ä.Nr/ Alt-No.:	Datum/ Date:


BOPLA
A Phoenix Mecano Company

DISK: 2 501 614
Datum/Date: 15.01.98 OW