



Chipsmall Limited consists of a professional team with an average of over 10 year of expertise in the distribution of electronic components. Based in Hongkong, we have already established firm and mutual-benefit business relationships with customers from,Europe,America and south Asia,supplying obsolete and hard-to-find components to meet their specific needs.

With the principle of “Quality Parts,Customers Priority,Honest Operation,and Considerate Service”,our business mainly focus on the distribution of electronic components. Line cards we deal with include Microchip,ALPS,ROHM,Xilinx,Pulse,ON,Everlight and Freescale. Main products comprise IC,Modules,Potentiometer,IC Socket,Relay,Connector.Our parts cover such applications as commercial,industrial, and automotives areas.

We are looking forward to setting up business relationship with you and hope to provide you with the best service and solution. Let us make a better world for our industry!



## Contact us

Tel: +86-755-8981 8866 Fax: +86-755-8427 6832

Email & Skype: info@chipsmall.com Web: www.chipsmall.com

Address: A1208, Overseas Decoration Building, #122 Zhenhua RD., Futian, Shenzhen, China



MOLEX PART NO.	ENGINEERING NUMBER
1200390001	DND100L

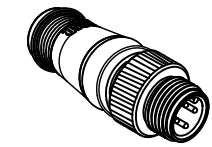
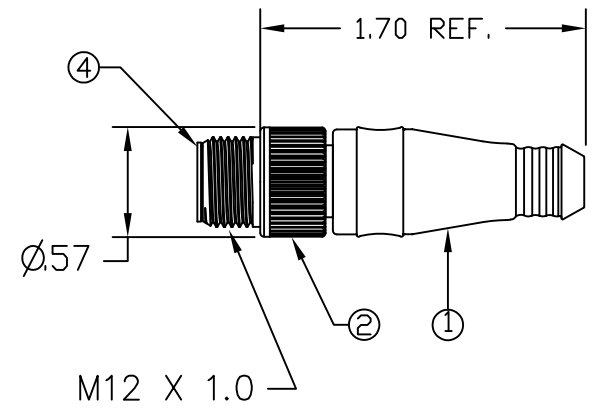
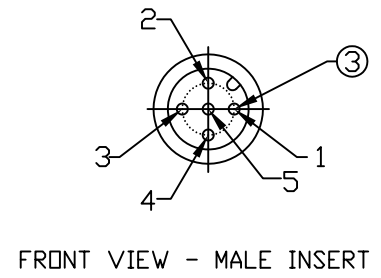
E

D

C

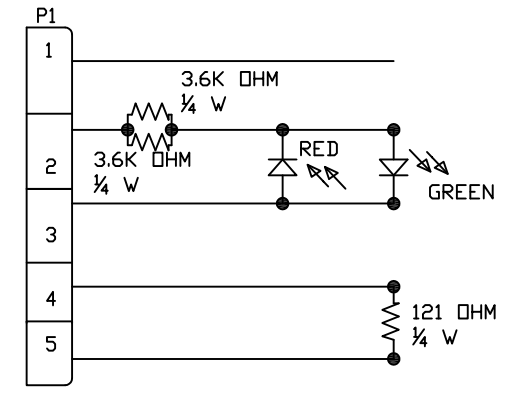
B

A



NOTES:

- 1) MATERIAL: SEE TABLE
- 2) FINISHES: SEE TABLE
- 3) ELECTRICAL DATA:  
MAX. VOLTAGE: 30V DC  
MAX. CURRENT 4A
- 4) ENVIRONMENTAL:  
PROTECTION IP67
- 5) ASSEMBLY IS RoHS COMPLIANT.



WIRING DIAGRAM

<table border="1"> <tr> <td>4</td> <td>1</td> <td>INSERT</td> <td>NYLON</td> <td>BLACK</td> </tr> <tr> <td>3</td> <td>5</td> <td>PIN CONTACT</td> <td>COPPER ALLOY</td> <td>GOLD PLATED</td> </tr> <tr> <td>2</td> <td>1</td> <td>M12 COUPLING NUT</td> <td>ZINC DIE-CAST</td> <td>BLACK</td> </tr> <tr> <td>1</td> <td>1</td> <td>OVERMOLD</td> <td>PVC</td> <td>CLEAR</td> </tr> <tr> <td>ITEM</td> <td>QTY.</td> <td>DESCRIPTION</td> <td>MATERIAL</td> <td>FINISH</td> </tr> </table>					4	1	INSERT	NYLON	BLACK	3	5	PIN CONTACT	COPPER ALLOY	GOLD PLATED	2	1	M12 COUPLING NUT	ZINC DIE-CAST	BLACK	1	1	OVERMOLD	PVC	CLEAR	ITEM	QTY.	DESCRIPTION	MATERIAL	FINISH	<p>RELEASE</p> <p>EC NO: WNA2010-0410 DRWN: TWOLDEGE 2010/01/11 CHKD: BWOODMAN APPR: JFMURPHY 2010/01/20</p>		<p>QUALITY SYMBOLS</p> <p>▽=0 ▽C=0</p>	<p>GENERAL TOLERANCES (UNLESS SPECIFIED)</p> <table border="1"> <tr> <td></td> <td>mm</td> <td>INCH</td> </tr> <tr> <td>4 PLACES</td> <td>±---</td> <td>±---</td> </tr> <tr> <td>3 PLACES</td> <td>±---</td> <td>±.005</td> </tr> <tr> <td>2 PLACES</td> <td>±0.13</td> <td>±.010</td> </tr> <tr> <td>1 PLACE</td> <td>±0.25</td> <td>±.020</td> </tr> </table>			mm	INCH	4 PLACES	±---	±---	3 PLACES	±---	±.005	2 PLACES	±0.13	±.010	1 PLACE	±0.25	±.020	<p>DIMENSION STYLE</p> <p>IN/MM</p>		<p>SCALE</p> <p>1:1</p>	<p>DESIGN UNITS</p> <p>INCH</p>	<p>THIRD ANGLE PROJECTION</p>	
					4	1	INSERT	NYLON	BLACK																																														
3	5	PIN CONTACT	COPPER ALLOY	GOLD PLATED																																																			
2	1	M12 COUPLING NUT	ZINC DIE-CAST	BLACK																																																			
1	1	OVERMOLD	PVC	CLEAR																																																			
ITEM	QTY.	DESCRIPTION	MATERIAL	FINISH																																																			
	mm	INCH																																																					
4 PLACES	±---	±---																																																					
3 PLACES	±---	±.005																																																					
2 PLACES	±0.13	±.010																																																					
1 PLACE	±0.25	±.020																																																					
<p>DRAFT WHERE APPLICABLE MUST REMAIN WITHIN DIMENSIONS</p>		<p>APPROVED BY DATE</p> <p>JFMURPHY 2010/01/20</p>		<p>TITLE</p> <p>MICRO D-NET TERMINATOR 5-P MALE LED TERMINATOR DEVICE-NET</p>		<p>MATERIAL NO.</p> <p>SEE CHART</p>		<p>DOCUMENT NO.</p> <p>SD-120039-001</p>		<p>SHEET NO.</p> <p>1 OF 1</p>																																													
<p>SIZE</p> <p>A</p>		<p>THIS DRAWING CONTAINS INFORMATION THAT IS PROPRIETARY TO MOLEX INCORPORATED AND SHOULD NOT BE USED WITHOUT WRITTEN PERMISSION</p>																																																					