



Chipsmall Limited consists of a professional team with an average of over 10 year of expertise in the distribution of electronic components. Based in Hongkong, we have already established firm and mutual-benefit business relationships with customers from,Europe,America and south Asia,supplying obsolete and hard-to-find components to meet their specific needs.

With the principle of “Quality Parts,Customers Priority,Honest Operation,and Considerate Service”,our business mainly focus on the distribution of electronic components. Line cards we deal with include Microchip,ALPS,ROHM,Xilinx,Pulse,ON,Everlight and Freescale. Main products comprise IC,Modules,Potentiometer,IC Socket,Relay,Connector.Our parts cover such applications as commercial,industrial, and automotives areas.

We are looking forward to setting up business relationship with you and hope to provide you with the best service and solution. Let us make a better world for our industry!



## Contact us

Tel: +86-755-8981 8866 Fax: +86-755-8427 6832

Email & Skype: info@chipsmall.com Web: www.chipsmall.com

Address: A1208, Overseas Decoration Building, #122 Zhenhua RD., Futian, Shenzhen, China



# TABLE 1 BILL OF MATERIAL

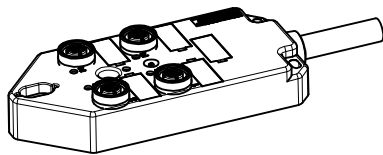
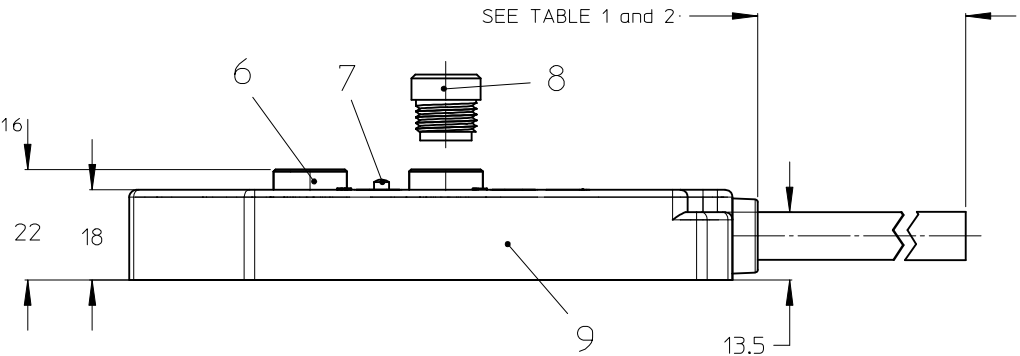
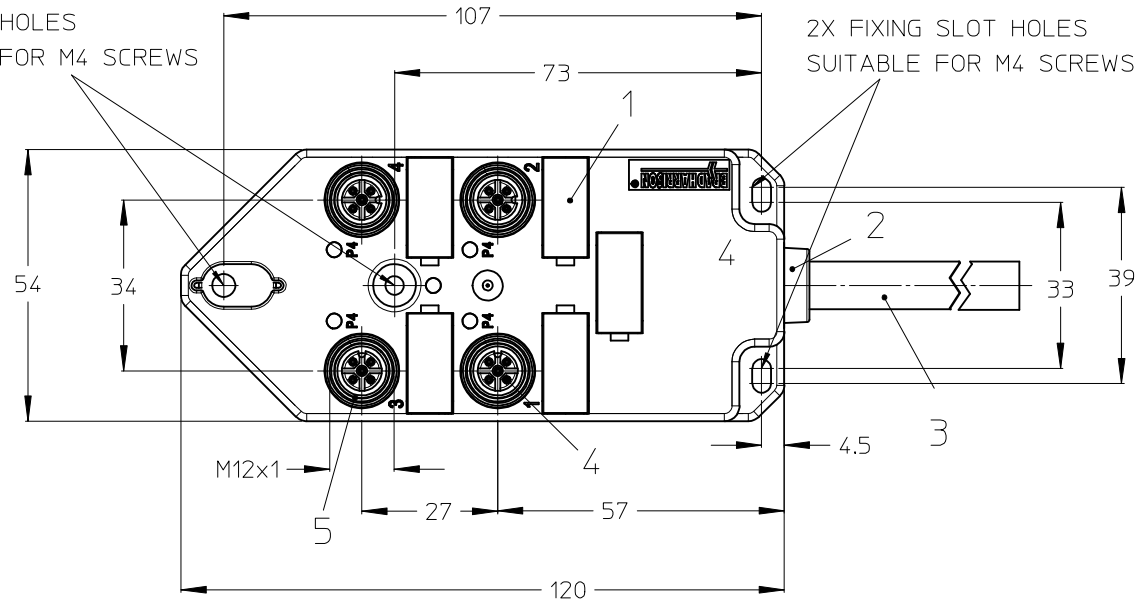
ITEM	QTY	DESCRIPTION	MATERIAL	FINISH
1	5	LABEL	ABS	WHITE
2	1	CABLE PLATE	PBT	YELLOW
3	1	CABLE	SEE ENG. NO. MATRIX	SEE ENG. NO. MATRIX
4	16	CONTACT	BRASS	GOLD OVER NICKEL
5	4	O-RING	FPM	RED
6	4	SHELL	BRASS	NICKEL PLATET
7	5	LED	NON LED = PBT/ WITH LED = PA	NON LED=YELLOW/ WITH LED=TRANSPARENT
8	2	PROTECTING CAP	PP	BLACK
9	1	HOUSING	PBT	YELLOW

# GENERAL CHARACTERISTICS

NOMINAL VOLTAGE: 10-30 V DC  
 POLUTION DEGREE: 3  
 RATED CURRENT: 4 A PER PORT / 12 A MAX: TOTAL  
 CONTACT RESISTANCE: ≤ 5 mOHM  
 ISULATION RESISTANCE: > 10<sup>8</sup> OHM  
 IP DEGREE OF PROTECTION: IP 67  
 IP 68 REFER TO TEST SUMMARY TS-120005-016

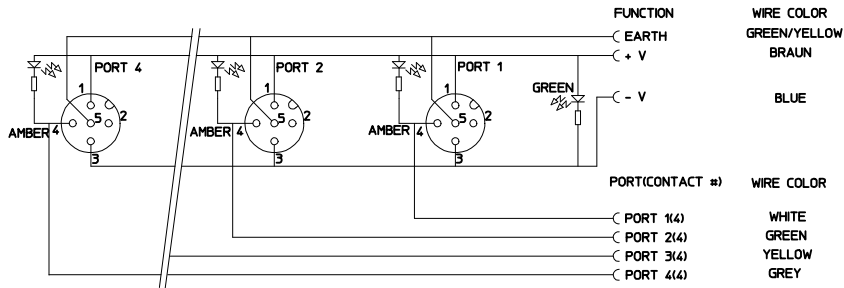
TEMPERATURE RANGE: -25°C to + 85°C  
 (BOX ONLY)

FLAMMABYLITY:  
 Insert: V0  
 HOUSING: V0  
 POTTING MATERIAL: V0

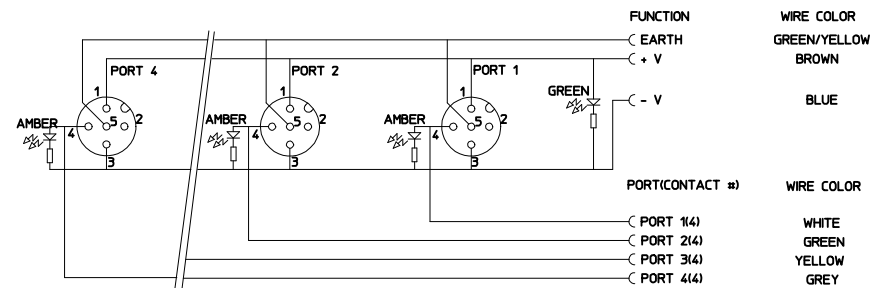


ENTER DESCRIPTION EC NO: IPG2014-0267 DRW:JULIENMEIER 2013/09/24 CHK:DHSILLER 2013/09/25 APPR:CBURGER 2013/10/07	QUALITY SYMBOLS ▽=0 ▽=0	GENERAL TOLERANCES (UNLESS SPECIFIED) mm INCH 4 PLACES ± --- ± --- 3 PLACES ± --- ± --- 2 PLACES ± 0.1 ± --- 1 PLACE ± 0.2 ± --- 0 PLACE ± --- ± --- ANGULAR ± 2 ° DRAFT WHERE APPLICABLE MUST REMAIN WITHIN DIMENSIONS	DIMENSION STYLE MM ONLY DRAWN BY LSG DATE 2011/08/18 CHECKED BY ZISMAYILOV DATE 2011/12/14 APPROVED BY CBURGER DATE 2011/12/20	SCALE 1:1 DESIGN UNITS METRIC THIRD ANGLE PROJECTION	TITLE MPIS M12 PNP NPN NOS 4P 4PT AC FE STR PUR PVC XM <b>molex</b> DOCUMENT NO. SD-120005-015 SHEET NO. 1 OF 3
	SEE TABLE 2	MATERIAL NO.	THIS DRAWING CONTAINS INFORMATION THAT IS PROPRIETARY TO MOLEX INCORPORATED AND SHOULD NOT BE USED WITHOUT WRITTEN PERMISSION		
	SIZE A3				
	REV C1				

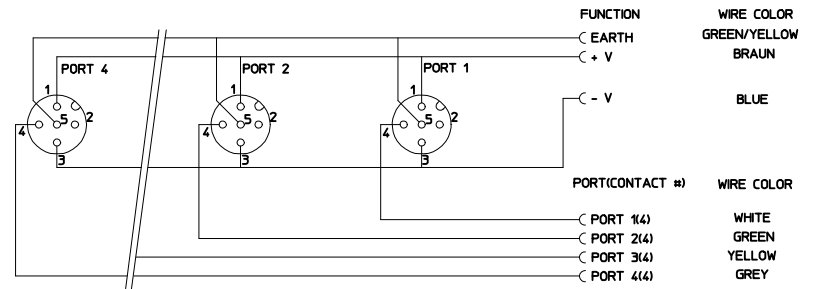
### WIRING DIAGRAM SINGLE PORT NPN



### WIRING DIAGRAM SINGLE PORT PNP



### WIRING DIAGRAM SINGLE PORT NON LED



<b>ENTER DESCRIPTION</b> EC NO: IPG2014-0267 DRW:ULETTEWIE/2013/09/24 CHKD:RSILLER 2013/09/25 APPR:CBURGER 2013/10/07	<b>QUALITY SYMBOLS</b> ▽=0 ▽=0	<b>GENERAL TOLERANCES (UNLESS SPECIFIED)</b>		<b>DIMENSION STYLE</b> MM ONLY	<b>SCALE</b> 1:1	<b>DESIGN UNITS</b> METRIC	THIRD ANGLE PROJECTION		
		4 PLACES ± --- ± ---	3 PLACES ± --- ± ---	DRAWN BY LSG	DATE 2011/08/18	<b>TITLE</b> MPIS M12 PNP NPN NOS 4P 4PT AC FE STR PUR PVC XM			
		2 PLACES ± 0.1 ± ---	1 PLACE ± 0.2 ± ---	CHECKED BY ZISMAYILOV	DATE 2011/12/14				
		0 PLACE ± --- ± ---	ANGULAR ± 2 °	APPROVED BY CBURGER	DATE 2011/12/20	<b>molex</b> DOCUMENT NO. SD-120005-015			
DRAFT WHERE APPLICABLE MUST REMAIN WITHIN DIMENSIONS		MATERIAL NO. SEE TABLE 2		SHEET NO. 2 OF 3					

TABLE 2

MOLEX PN	ENG.NR.	LED	MOLEX P/N	ENG. NO	LED
1200051009	BTY400N-FBN-05	YES	1201148012	BTY400P-FBP-10	YES
1200051010	BTY400N-FBN-10	YES	1201140182	BTY400P-FBP-15	YES
1200051011	BTY400N-FBN-15	YES	1201148013	BTY400P-FBP-20	YES
1200051000	BTY400P-FBN-05	YES	1200550879	BTY400P-FBP-25	YES
1200051001	BTY400P-FBN-10	YES	1200550539	BTY400P-FBI-05	YES
1200051002	BTY400P-FBN-15	YES	1200550540	BTY400P-FBI-10	YES
1200050016	BTY400N-FBP-003	YES	1200550564	BTY400P-FBE-05	YES
1201148008	BTY400N-FBP-05	YES	1200550553	BTY400P-FBE-10	YES
1201148009	BTY400N-FBP-10	YES	1200550712	BTY400P-FBE-20	YES
1201148010	BTY400N-FBP-15	YES	1200550586	BTY4000-FBP-05	NO
1200050026	BTY400N-FBP-20	YES	1200550587	BTY4000-FBP-10	NO
1200550689	BTY400P-FBP-02	YES	1201140183	BTY4000-FBE-05	NO
1200050012	BTY400P-FBP-003	YES	1200550883	BTY400P-FBP-05-1	YES
1201148011	BTY400P-FBP-05	YES			

ENG. NO. MATRIX:

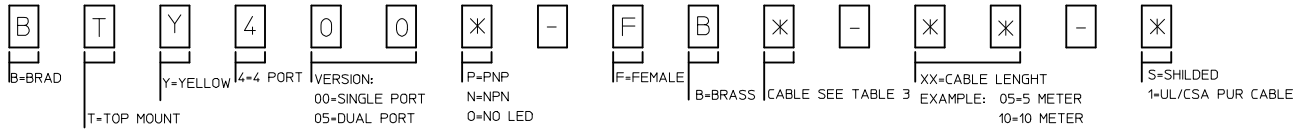


TABLE 3

CABLE	TEM. RANGE STATISCH	TEM. RANGE FLEXIBLE	CABLE DIAMETER (MM) SIGLE (4POLE) 4/6/8 PORT	CABLE DIAMETER (MM) DUAL (SPOLE) 4/6/8 PORT	DRAG CHAIN	UL STYLE
P=PUR/PVC/Black	-30°C TO +90°C	-5°C TO +90°C	8.4 ±0.2 / 9.5±0.2 / 9.5 ±0.2	9.5 ±0.2 / 9.8 ±0.2 / 11.4 ±0.2	1.5 MIO. CYCLES	-
P=PUR/PVC/Black/UL/CSA	-25°C TO +90°C	-	7.5 ± 0.2	8.6 ± 0.2	-	-
N=PVC/GREY	-	-10°C TO +80°C	8.4 ± 0.2	9.5 ± 0.2	10 MIO. CYCLES	2464
I=CEI/GREY	-5°C TO +70°C	-	8.4 ± 0.2	9.5 ± 0.2	-	-
E=PVC/YELLOW	-5°C TO +70°C	-	8.4 ± 0.2	9.5 ± 0.2	-	-

ENTER DESCRIPTION EC NO: IPG2014-0267 DRAWN:ULETTEMER 2013/09/24 CHKD:RSILLER 2013/09/25 APPR:CBURGER 2013/10/07 REV C1	QUALITY SYMBOLS ▽=0 ▽=0	GENERAL TOLERANCES (UNLESS SPECIFIED) mm INCH 4 PLACES ± --- ± --- 3 PLACES ± --- ± --- 2 PLACES ± 0.1 ± --- 1 PLACE ± 0.2 ± --- 0 PLACE ± --- ± --- ANGULAR ± 2 ° DRAFT WHERE APPLICABLE MUST REMAIN WITHIN DIMENSIONS	DIMENSION STYLE MM ONLY DRAWN BY LSG DATE 2011/08/18 CHECKED BY ZISMAYILOV DATE 2011/12/14 APPROVED BY CBURGER DATE 2011/12/20	SCALE 1:1 DESIGN UNITS METRIC THIRD ANGLE PROJECTION	TITLE MPIS M12 PNP NPN NOS 4P 4PT AC FE STR PUR PVC XM <b>molex</b>	MATERIAL NO. SEE TABLE 2 DOCUMENT NO. SD-120005-015	SHEET NO. 3 OF 3
	THIS DRAWING CONTAINS INFORMATION THAT IS PROPRIETARY TO MOLEX INCORPORATED AND SHOULD NOT BE USED WITHOUT WRITTEN PERMISSION						