



Chipsmall Limited consists of a professional team with an average of over 10 year of expertise in the distribution of electronic components. Based in Hongkong, we have already established firm and mutual-benefit business relationships with customers from,Europe,America and south Asia,supplying obsolete and hard-to-find components to meet their specific needs.

With the principle of “Quality Parts,Customers Priority,Honest Operation,and Considerate Service”,our business mainly focus on the distribution of electronic components. Line cards we deal with include Microchip,ALPS,ROHM,Xilinx,Pulse,ON,Everlight and Freescale. Main products comprise IC,Modules,Potentiometer,IC Socket,Relay,Connector.Our parts cover such applications as commercial,industrial, and automotives areas.

We are looking forward to setting up business relationship with you and hope to provide you with the best service and solution. Let us make a better world for our industry!



## Contact us

Tel: +86-755-8981 8866 Fax: +86-755-8427 6832

Email & Skype: info@chipsmall.com Web: www.chipsmall.com

Address: A1208, Overseas Decoration Building, #122 Zhenhua RD., Futian, Shenzhen, China





# Single-Ended Cordsets

## Single Keyway M12

#22 AWG yellow PVC cables with or without braid – DC color code  
 Oil-resistant PVC jacket for all types of heavy-duty industrial environments  
 Highly reliable low-resistance contact design with gold/palladium nickel plating

	3P	4P	5P
FEMALE FACE VIEW			
COLOR CODE	1- brown 2- not used 3- blue 4- black 5- not used	1- brown 2- white 3- blue 4- black 5- not used	1- brown 2- white 3- blue 4- black 5- gray
VOLTAGE	250V AC/DC	250V AC/DC	250V AC/DC
CURRENT	4A	4A	4A
CONDUCTOR	#22-3	#22-4	#22-5

FEMALE	FIG	SINGLE-ENDED CORDSETS WITH #22 AWG PVC CABLE WITHOUT BRAID 2 METERS LONG		
STRAIGHT	1	803000A09M020	804000A09M020	805000A09M020
90°	2	803001A09M020	804001A09M020	805001A09M020
MATING RECEPTACLE*	5	8R3006A18A120	8R4006A18A120	8R5006A18A120
MALE	FIG	SINGLE-ENDED CORDSETS WITH #22 AWG PVC CABLE WITHOUT BRAID 2 METERS LONG		
STRAIGHT	3	803006A09M020	804006A09M020	805006A09M020
90°	4	803007A09M020	804007A09M020	805007A09M020
MATING RECEPTACLE*	6	8R3A00A18A120	8R4A00A18A120	8R5A00A18A120

### CATALOG OPTIONS

\*See Page 116 for additional Mating Receptacles

Use the following chart to modify your part's specifications

**803000A09M0201**

**WIRE TYPE**

#22 AWG YELLOW PVC  
 W/ METALLIC BRAID . . . . . **D01**

**CABLE LENGTH**

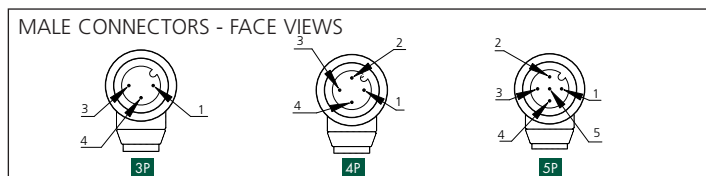
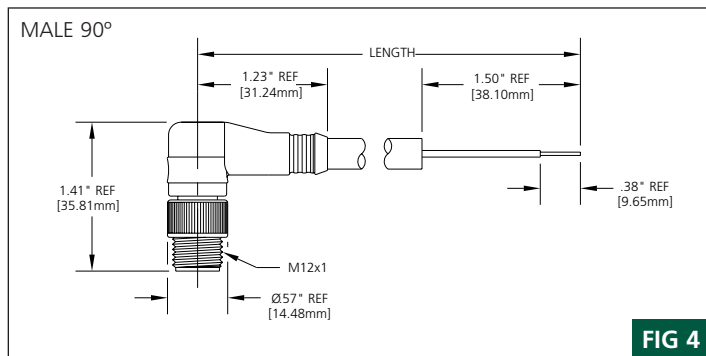
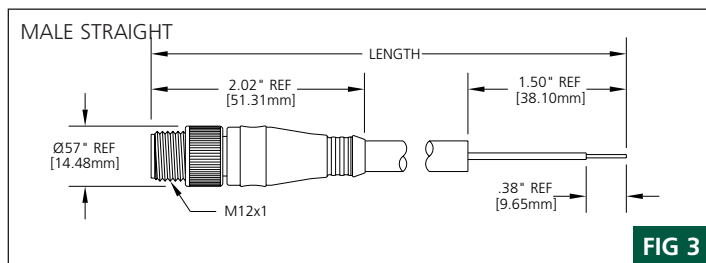
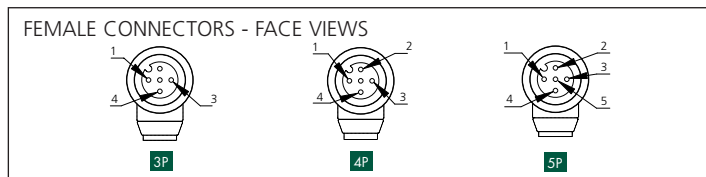
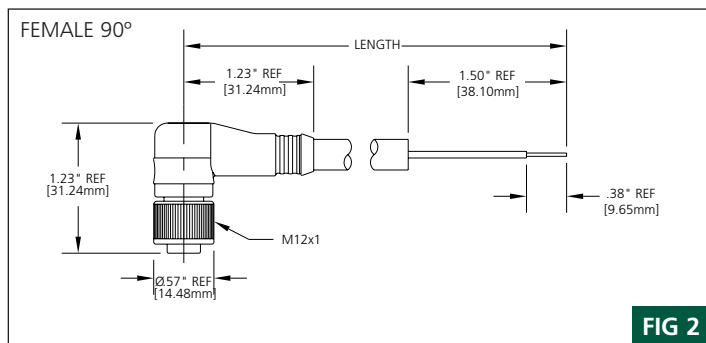
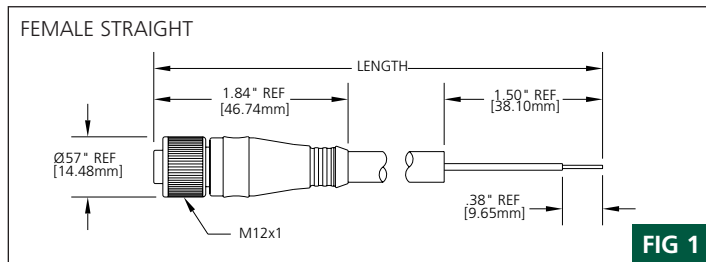
4 METER . . . . . **040**  
 5 METER . . . . . **050**

**COUPLING NUT**

STAINLESS STEEL . . . . . **ADD 1**  
 NON-METALLIC . . . . . **ADD 2**  
 (NON-METALLIC AVAILABLE ON  
 FEMALE CONNECTORS ONLY)

# Specifications

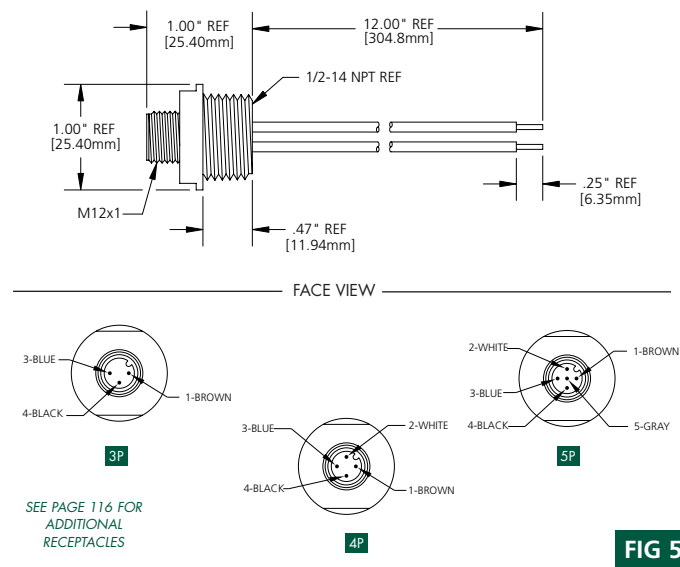
## CONNECTOR DIMENSIONS



- MECHANICAL**
- CONNECTOR FACE: NYLON 6/6
  - MOLDED BODY: PVC
  - O-RING: NITRILE RUBBER
  - COUPLING NUT: ZINC DIECAST W/ BLACK EPOXY COAT, OPTIONAL STAINLESS STEEL TYPE 303 OR NON-METALLIC BLACK DELRIN
- CABLE:** YELLOW #22 AWG PVC JACKET AND PVC CONDUCTOR INSULATION OVER 26 X #36 COPPER STRANDING, 300V, UL STYLE 2661, CSA AWM I/II A/B, OPTIONAL 80% METALLIC BRAID
- WITHOUT BRAID WITH BRAID**
- OUTSIDE DIAMETER:**
- 3P - .18" (4.6mm) 3P - .23" (5.8mm)
  - 4P - .20" (5.1mm) 4P - .25" (6.4mm)
  - 5P - .23" (5.8mm) 5P - .26" (6.6mm)
- ELECTRICAL**
- VOLTAGE RATING: 250 V AC/DC
  - AMPERAGE: 3P - 4A, 4P - 4A, 5P - 4A
- ENVIRONMENTAL**
- PROTECTION: IP 68, NEMA 6P
  - AMBIENT OPERATING TEMP: -4° TO 221° F (-20° TO 105° C)
- CERTIFICATIONS**
- UL: UL LISTED, FILE NO. E152210
  - CSA: CSA CERTIFIED, FILE NO. LR6837

## RECEPTACLE DIMENSIONS

### MALE RECEPTACLE W/ EXTERNAL THREADS AND 1/2" - 14NPT THREADS



### FEMALE RECEPTACLE W/ INTERNAL THREADS AND 1/4" - 18NPT THREADS

