



Chipsmall Limited consists of a professional team with an average of over 10 year of expertise in the distribution of electronic components. Based in Hongkong, we have already established firm and mutual-benefit business relationships with customers from,Europe,America and south Asia,supplying obsolete and hard-to-find components to meet their specific needs.

With the principle of “Quality Parts,Customers Priority,Honest Operation,and Considerate Service”,our business mainly focus on the distribution of electronic components. Line cards we deal with include Microchip,ALPS,ROHM,Xilinx,Pulse,ON,Everlight and Freescale. Main products comprise IC,Modules,Potentiometer,IC Socket,Relay,Connector.Our parts cover such applications as commercial,industrial, and automotives areas.

We are looking forward to setting up business relationship with you and hope to provide you with the best service and solution. Let us make a better world for our industry!



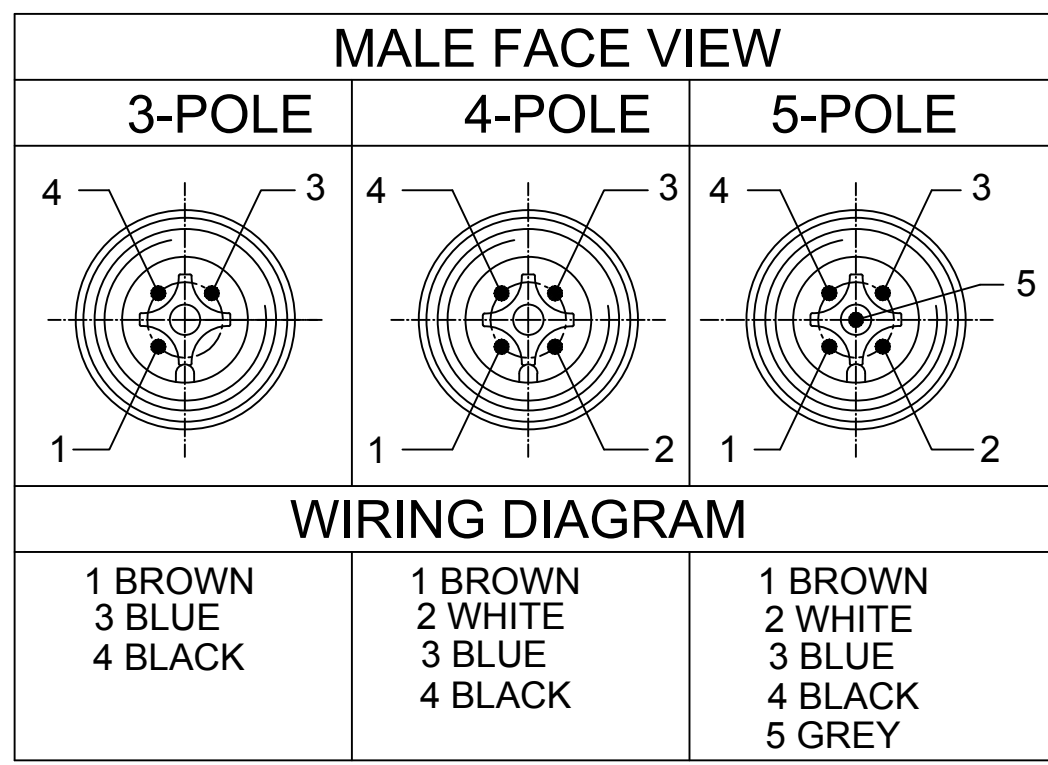
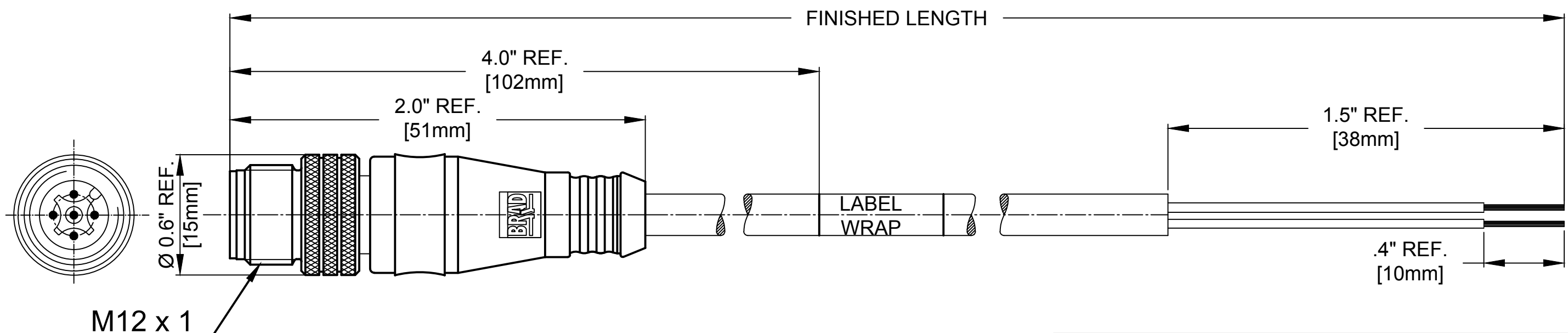
## Contact us

Tel: +86-755-8981 8866 Fax: +86-755-8427 6832

Email & Skype: info@chipsmall.com Web: www.chipsmall.com

Address: A1208, Overseas Decoration Building, #122 Zhenhua RD., Futian, Shenzhen, China





**803006A09M020**

no poles 3-5 pole      cable type #22/3-5 PVC YELLOW      cable length 020----2 Meters 100----10 Meters

**CONNECTOR SPECIFICATION:**

VOLTAGE RATING	250 VAC/VDC
AMPERAGE RATING	max. 4 AMPS
PROTECTION	IP67
OPERATING TEMPERATURE	-20°C TO 105°C
UL CERTIFICATIONS	UL RECOGNIZED, FILE NO. E152210
ASSEMBLY	RoHS COMPLIANT

COMPONENT	MATERIAL	FINISH
LABEL	MYLAR	BLACK/YELLOW
COUPLER	BRASS	NICKEL PLATED
PIN CONTACT	COPPER ALLOY	GOLD OVER NICKEL
INSERT	NYLON	BLACK
OVERMOLD	PUR	YELLOW
CABLE- 22/AWG CONDUCT. 300V	JACKET: PVC	JACKET: YELLOW

MATERIAL NUMBER	ENGINEERING NUMBER	FINISHED LENGTH
1200650200	803006A09M020	6.56' +3.5" -0 [2.0M +89 -0]
1200650414	804006A09M020	6.56' +3.5" -0 [2.0M +89 -0]
1200650523	805006A09M020	6.56' +3.5" -0 [2.0M +89 -0]
1200650533	805006A09M100	32.81' +12.5" -0 [10.0M +318 -0]

UPDATED FOR PART NUMBER MATRIX EC NO: IPG2014-0988 DRWN: GGUSTAFS 11/26/13 CHKD: TWOLDEGE APPR: BWOODMAN 2010/01/25	QUALITY SYMBOLS ▽ = 0 ▽ = 0	GENERAL TOLERANCES (UNLESS SPECIFIED) <table border="1"> <tr> <th></th> <th>mm</th> <th>INCH</th> </tr> <tr> <td>4 PLACES</td> <td>±---</td> <td>±---</td> </tr> <tr> <td>3 PLACES</td> <td>±---</td> <td>±.005</td> </tr> <tr> <td>2 PLACES</td> <td>±.13</td> <td>±.010</td> </tr> <tr> <td>1 PLACE</td> <td>±.25</td> <td>±.020</td> </tr> <tr> <td colspan="3">ANGULAR ± .5 °</td> </tr> </table>		mm	INCH	4 PLACES	±---	±---	3 PLACES	±---	±.005	2 PLACES	±.13	±.010	1 PLACE	±.25	±.020	ANGULAR ± .5 °			DIMENSION STYLE <b>IN/MM</b> DRAWN BY: GGUSTAFS DATE: 2013/11/26 CHECKED BY: RE DATE: 2010/01/21 APPROVED BY: NSTAUDIG DATE: 2010/01/25	SCALE: NTS DESIGN UNITS: INCH THIRD ANGLE PROJECTION
		mm	INCH																			
	4 PLACES	±---	±---																			
	3 PLACES	±---	±.005																			
2 PLACES	±.13	±.010																				
1 PLACE	±.25	±.020																				
ANGULAR ± .5 °																						
DRAFT WHERE APPLICABLE MUST REMAIN WITHIN DIMENSIONS		SEE CHART	<b>MOLEX INCORPORATED</b> MICRO-CHANGE ASSEMBLY 3-5 POLE MA STR 22/AWG YELLOW PVC CABLE																			
SIZE <b>A3</b>		THIS DRAWING CONTAINS INFORMATION THAT IS PROPRIETARY TO MOLEX INCORPORATED AND SHOULD NOT BE USED WITHOUT WRITTEN PERMISSION																				
DOCUMENT NO. SD-120065-028		SHEET NO. 1 OF 1																				