



Chipsmall Limited consists of a professional team with an average of over 10 year of expertise in the distribution of electronic components. Based in Hongkong, we have already established firm and mutual-benefit business relationships with customers from,Europe,America and south Asia,supplying obsolete and hard-to-find components to meet their specific needs.

With the principle of “Quality Parts,Customers Priority,Honest Operation,and Considerate Service”,our business mainly focus on the distribution of electronic components. Line cards we deal with include Microchip,ALPS,ROHM,Xilinx,Pulse,ON,Everlight and Freescale. Main products comprise IC,Modules,Potentiometer,IC Socket,Relay,Connector.Our parts cover such applications as commercial,industrial, and automotives areas.

We are looking forward to setting up business relationship with you and hope to provide you with the best service and solution. Let us make a better world for our industry!



Contact us

Tel: +86-755-8981 8866 Fax: +86-755-8427 6832

Email & Skype: info@chipsmall.com Web: www.chipsmall.com

Address: A1208, Overseas Decoration Building, #122 Zhenhua RD., Futian, Shenzhen, China



6

5

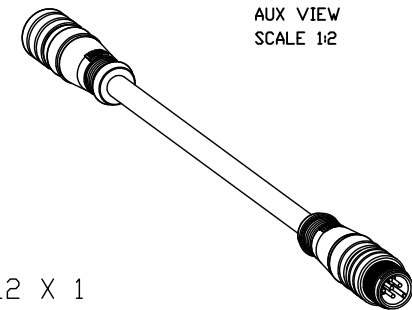
4

3

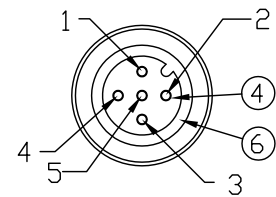
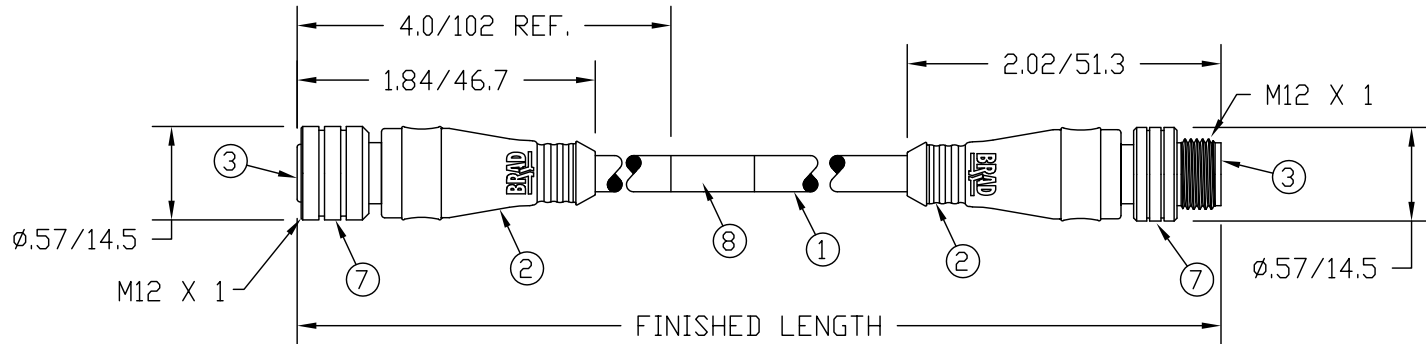
2

1

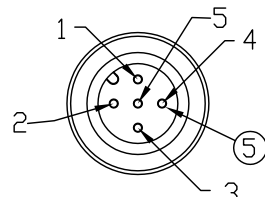
| MATERIAL NUMBER | ENGINEERING NUMBER | FINISHED LENGTH |
|-----------------|--------------------|---------------------------------|
| 1200660166 | 883030A09M010 | 1.0M +55.6 -0 [3.28' +2.19' -0] |



AUX VIEW
SCALE 1/2



FEMALE FACE VIEW



MALE FACE VIEW

| | | |
|---|-------|---|
| 1 | BROWN | 1 |
| 3 | BLUE | 3 |
| 4 | BLACK | 4 |

WIRING DIAGRAM

- NOTES:
- 1) MATERIALS: SEE TABLE
 - 2) FINISHES: SEE TABLE
 - 3) CABLE: #22/5 TPE
 - 4) ELECTRICAL DATA:
MAX. VOLTAGE: 250 VAC/VDC
MAX. CURRENT 4 AMPS
 - 5) ENVIRONMENTAL:
PROTECTION IP67
TEMPERATURE RANGE: -20°C TO 105°C
 - 6) WRAP LABEL IS MARKED WITH P/N, DATE CODE,
VOLTAGE & AMPERAGE.
 - 7) ASSEMBLY IS RoHS COMPLIANT.

| ITEM | QTY. | DESCRIPTION | MATERIAL | FINISH |
|------|------|----------------|--------------|------------------|
| 8 | 1 | LABEL | MYLAR | BLACK/YELLOW |
| 7 | 2 | COUPLER | BRASS | NICKEL PLATED |
| 6 | 1 | O-RING | VITON | RED |
| 5 | 5 | PIN CONTACT | COPPER ALLOY | GOLD OVER NICKEL |
| 4 | 5 | SOCKET CONTACT | COPPER ALLOY | GOLD OVER NICKEL |
| 3 | 2 | INSERT | NYLON | BLACK |
| 2 | 2 | OVERMOLD | PUR | YELLOW |
| 1 | 1 | #22/5 CABLE | PVC JACKET | YELLOW |

RELEASED DRAWING
EC NO: WEL2010-0288
DRWN: LSTEMMLE 2010/01/25
CHKD: NS
APPR: NSTAUDIG 2010/01/29

QUALITY SYMBOLS
▽=0
▽C=0

GENERAL TOLERANCES (UNLESS SPECIFIED)

| | mm | INCH |
|----------|------|------|
| 4 PLACES | ±--- | ±--- |
| 3 PLACES | ±--- | ±--- |
| 2 PLACES | ±--- | ±.01 |
| 1 PLACE | ±0.3 | ±--- |

ANGULAR ±--°

**DRAFT WHERE APPLICABLE
MUST REMAIN
WITHIN DIMENSIONS**

DIMENSION STYLE
IN/MM

DRAWN BY DATE
LSTEMMLE 2010/01/25

CHECKED BY DATE
RE 2010/01/25

APPROVED BY DATE
NSTAUDIG 2010/01/29

MATERIAL NO.
SEE TABLE

SIZE
A

SCALE
2:1

DESIGN UNITS
METRIC

THIRD ANGLE PROJECTION

TITLE
MICRO-CHANGE CORDSET
3P FE-STR MA- STR
22/5 YELLOW PVC CABLE

MOLEX INCORPORATED

DOCUMENT NO.
SD-120066-010

SHEET NO.
1 OF 1

THIS DRAWING CONTAINS INFORMATION THAT IS PROPRIETARY TO MOLEX INCORPORATED AND SHOULD NOT BE USED WITHOUT WRITTEN PERMISSION

6

5

4

3

2

1

E

E

D

D

C

C

B

B

A

A