



Chipsmall Limited consists of a professional team with an average of over 10 year of expertise in the distribution of electronic components. Based in Hongkong, we have already established firm and mutual-benefit business relationships with customers from,Europe,America and south Asia,supplying obsolete and hard-to-find components to meet their specific needs.

With the principle of “Quality Parts,Customers Priority,Honest Operation,and Considerate Service”,our business mainly focus on the distribution of electronic components. Line cards we deal with include Microchip,ALPS,ROHM,Xilinx,Pulse,ON,Everlight and Freescale. Main products comprise IC,Modules,Potentiometer,IC Socket,Relay,Connector.Our parts cover such applications as commercial,industrial, and automotives areas.

We are looking forward to setting up business relationship with you and hope to provide you with the best service and solution. Let us make a better world for our industry!



Contact us

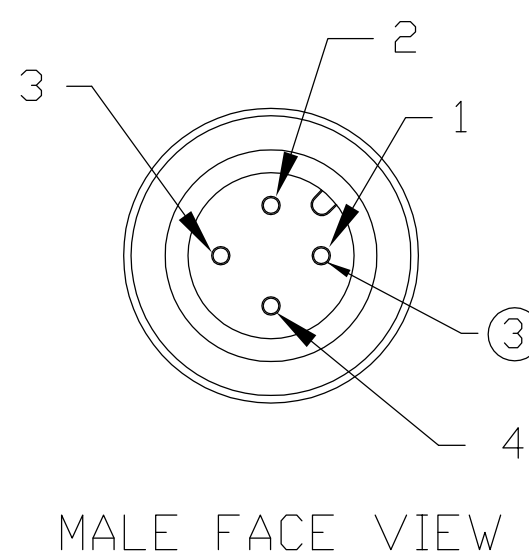
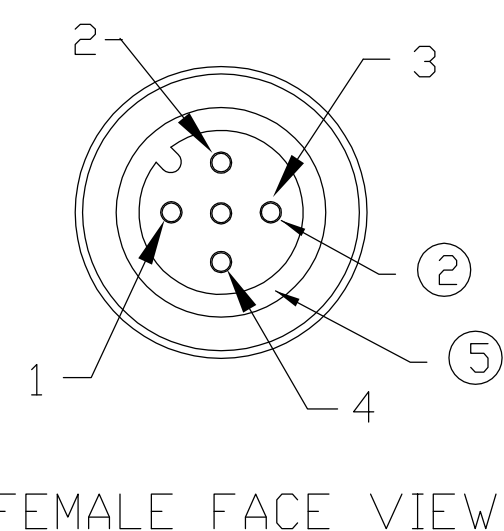
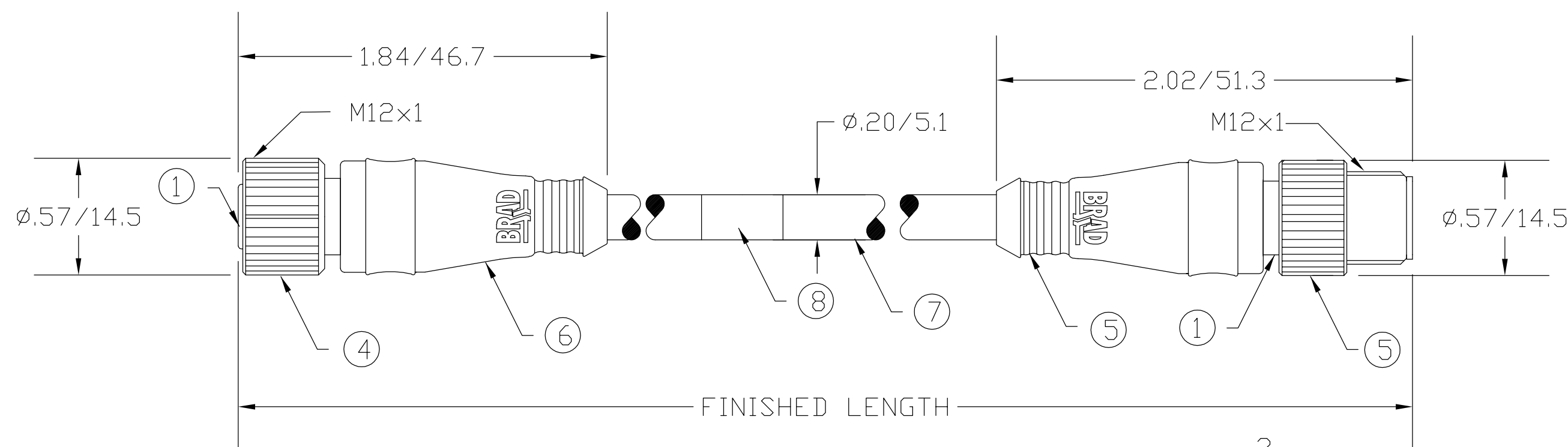
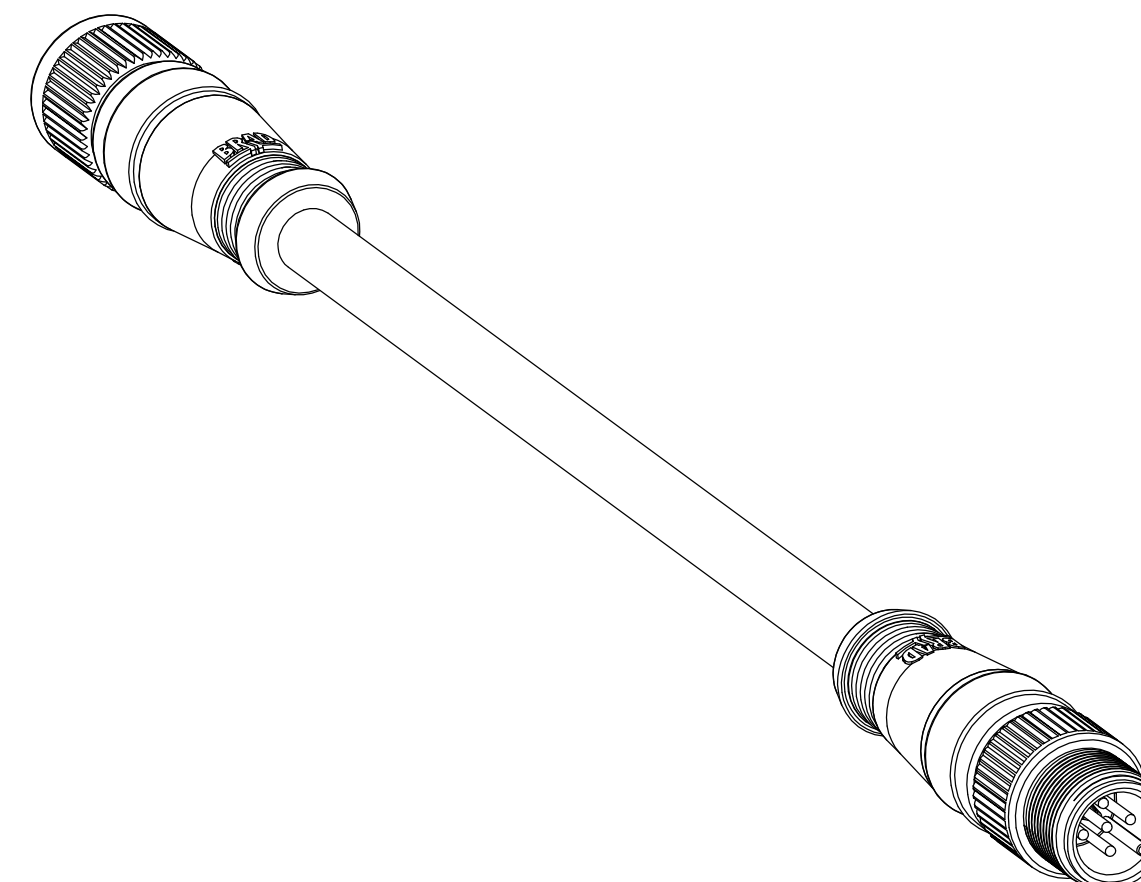
Tel: +86-755-8981 8866 Fax: +86-755-8427 6832

Email & Skype: info@chipsmall.com Web: www.chipsmall.com

Address: A1208, Overseas Decoration Building, #122 Zhenhua RD., Futian, Shenzhen, China



MATERIAL NUMBER	OLD PART NUMBER	FINISHED LENGTH
120066-0259	884030A09M003	.98' +.75" -0 [1.3M +19.1 -0]
120066-0262	884030A09M006	1.97' +1.75" -0 [1.6M +44.5 -0]
120066-0266	884030A09M010	3.27' +2.19" -0 [1.0M +55.6 -0]
120066-0271	884030A09M020	6.56' +3.50" -0 [2.0M +88.9 -0]
120066-0277	884030A09M030	9.84' +3.50" -0 [3.0M +88.9 -0]
120066-0279	884030A09M040	13.12' +6.50" -0 [4.0M +165.1 -0]
120066-0284	884030A09M050	16.40' +6.50" -0 [5.0M +165.1 -0]
120066-0297	884030A09M100	32.81' +12.50" -0 [10.0M +317.5 -0]
120066-0313	884030A09M200	65.62' +24.50" -0 [20.0M +622.3 -0]



1	BROWN	1
2	WHITE	2
3	BLUE	3
4	BLACK	4

WIRING DIAGRAM

VOLTAGE RATING	250 VAC/VDC
AMPERAGE RATING	4 AMPS
PROTECTION	IP67
OPERATING TEMPERATURE	-20°C TO 105°C
UL CERTIFICATIONS	UL RECOGNIZED, FILE NO. E152210
CSA CERTIFICATIONS	CSA CERTIFIED, FILE NO. LR6837

ITEM	COMPONENT	MATERIAL	FINISH
1	INSERT	PUR	BLACK
2	CONTACT SOCKET	COPPER ALLOY	GOLD OVER NICKEL
3	CONTACT PIN	COPPER ALLOY	GOLD OVER NICKEL
4	COUPLING NUT	BRASS	NICKEL PLATED
5	O-RING	VITON	RED
6	OVERMOLD	PUR	YELLOW
7	CABLE-22 AWG, 26 x #36 COPPER STRANDING, 4 CONDUCTOR, 300V	PVC	YELLOW
8	LABEL	MYLAR	BLACK/YELLOW

RLSO DRAWING EC NO: WNA2009-0631 DRWN: BWOODMAN 3/27/09 CH'KD: JM APPR: JFMURPHY 2009/04/01	QUALITY SYMBOL	GENERAL TOLERANCES (UNLESS SPECIFIED)	DIMENSION STYLE	SCALE	DESIGN UNITS	THIRD ANGLE PROJECTION														
	$\blacktriangledown = 0$ $\triangle C = 0$	<table border="1"> <tr> <th></th> <th>mm</th> <th>INCH</th> </tr> <tr> <td>4 PLACES</td> <td>±---</td> <td>±---</td> </tr> <tr> <td>3 PLACES</td> <td>±---</td> <td>±---</td> </tr> <tr> <td>2 PLACES</td> <td>±---</td> <td>±.01</td> </tr> <tr> <td>1 PLACE</td> <td>±0.3</td> <td>±---</td> </tr> </table>		mm	INCH		4 PLACES	±---	±---	3 PLACES	±---	±---	2 PLACES	±---	±.01	1 PLACE	±0.3	±---	IN/MM	---
		mm	INCH																	
	4 PLACES	±---	±---																	
3 PLACES	±---	±---																		
2 PLACES	±---	±.01																		
1 PLACE	±0.3	±---																		
DESCRIPTION	ANGULAR ±---°	DRAFT WHERE APPLICABLE MUST REMAIN WITHIN DIMENSIONS	DRAWN BY: BW DATE: 2009/03/27 CHECKED BY: TW DATE: 2009/03/27 APPROVED BY: _____ DATE: _____	TITLE: MICRO-CHANGE CORDSET 4 POLE MALE/FEMALE PVC CABLE MOLEX INCORPORATED																
REV			SEE CHART	MATERIAL NO.	DOCUMENT NO.	SHEET NO.														
A			C		SD-120066-005	1 OF 1														

THIS DRAWING CONTAINS INFORMATION THAT IS PROPRIETARY TO MOLEX INCORPORATED AND SHOULD NOT BE USED WITHOUT WRITTEN PERMISSION