



Chipsmall Limited consists of a professional team with an average of over 10 year of expertise in the distribution of electronic components. Based in Hongkong, we have already established firm and mutual-benefit business relationships with customers from,Europe,America and south Asia,supplying obsolete and hard-to-find components to meet their specific needs.

With the principle of “Quality Parts,Customers Priority,Honest Operation,and Considerate Service”,our business mainly focus on the distribution of electronic components. Line cards we deal with include Microchip,ALPS,ROHM,Xilinx,Pulse,ON,Everlight and Freescale. Main products comprise IC,Modules,Potentiometer,IC Socket,Relay,Connector.Our parts cover such applications as commercial,industrial, and automotives areas.

We are looking forward to setting up business relationship with you and hope to provide you with the best service and solution. Let us make a better world for our industry!



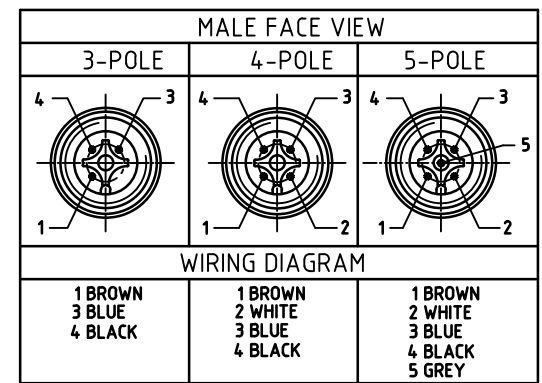
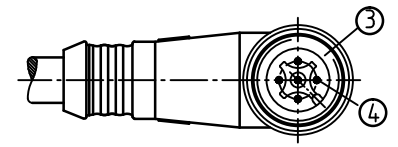
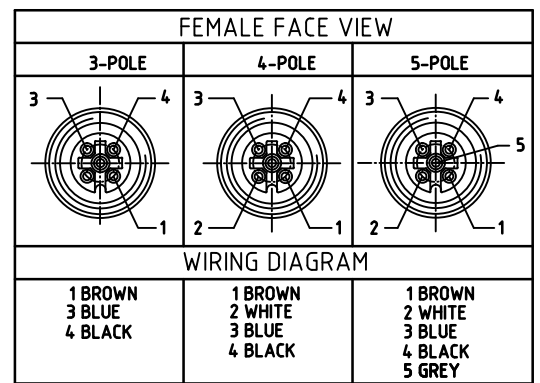
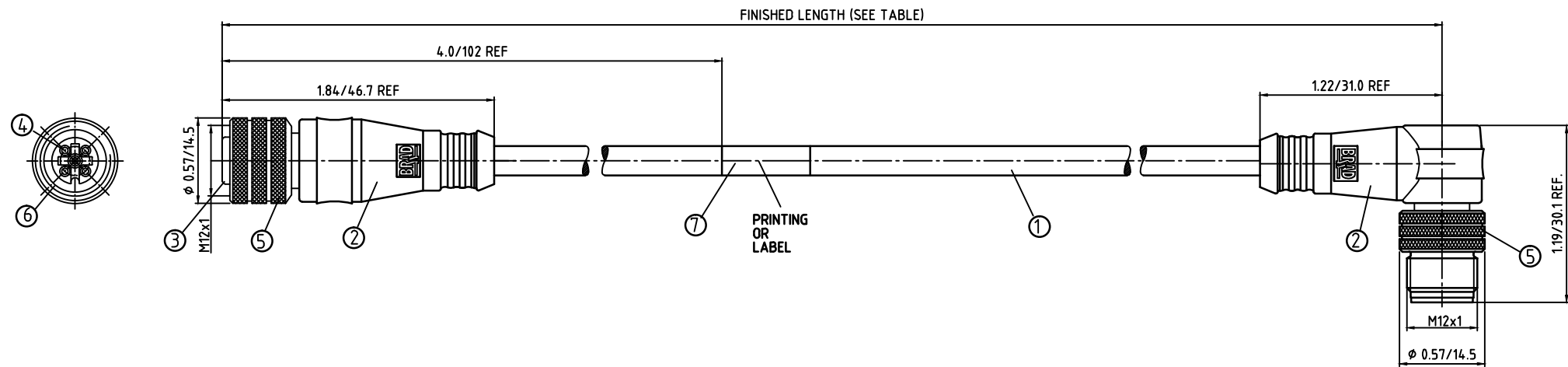
## Contact us

Tel: +86-755-8981 8866 Fax: +86-755-8427 6832

Email & Skype: info@chipsmall.com Web: www.chipsmall.com

Address: A1208, Overseas Decoration Building, #122 Zhenhua RD., Futian, Shenzhen, China





CONNECTOR SPECIFICATION:

VOLTAGE RATING	250 VAC/VDC
AMPERAGE RATING	max. 4 AMPS
PROTECTION	IP67
OPERATING TEMPERATURE	-20°C TO 105°C

ITEM	COMPONENT	MATERIAL	FINISH
7	LABLE	MYLAR	BLACK/YELLOW
6	O-RING	VITON	RED
5	COUPLER	BRASS	TEFLON
4	SOCKET/PIN CONTACT	COPPER ALLOY	GOLD OVER NICKEL
3	INSERT	NYLON	BLACK
2	OVERMOLD	TPE	YELLOW
1	CABLE- 22/3-5 (COPPER STRANDING) 3/4/5 CONDUCT. 300V	TPE JACKET	YELLOW

ADD "REF" TO HEAD DIMENSIONS EC NO.: WNA2011-0563 DRWN: TWOLDEGE 5/4/11 CH'KD: VOU APPR: JFMURPHY 2010/02/03 3	QUALITY SYMBOLS ▽ = 0 ▽C = 0	GENERAL TOLERANCES (UNLESS SPECIFIED)		DIMENSION STYLE IN/MM		SCALE 1:1	DESIGN UNITS METRIC	THIRD ANGLE PROJECTION	
		mm	INCH	DRAWN BY LSTEMMLE	DATE 2010/02/01	<b>MICRO-CHANGE CORDSET</b> <b>3/4/5 P. FE STR/ MA 90</b> <b>22/3-5 YELLOW TPE CABLE</b>			
		4 PLACES ± --- 3 PLACES ± --- 2 PLACES ± --- 1 PLACE ± 0.3	± --- ± --- ± 0.1 ± ---	CHECKED BY REISSNER	DATE 2010/02/02				
DRAFT WHERE APPLICABLE MUST REMAIN WITHIN DIMENSIONS		SEE TABLE SHEET 2		APPROVED BY FPACHER	DATE 2010/02/03	<b>MOLEX INCORPORATED</b>		SHEET NO. 1 OF 2	
THIS DRAWING CONTAINS INFORMATION THAT IS PROPRIETARY TO MOLEX INCORPORATED AND SHOULD NOT BE USED WITHOUT WRITTEN PERMISSION				MATERIAL NO. SD-120066-025		DOCUMENT NO.			

10

9

8

7

6

5

4


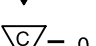

3

2

1

POL	MATERIAL NUMBER	ENGINEERING NUMBER	FINISHED LENGTH
3	1200660230	883032K05M008	0.8M +44.5 -0 [2.62' +1.75" -0]
3	1200660231	883032K05M010	1.0M +55.6 -0 [3.27' +2.19" -0]
3	1200660232	883032K05M020	2.0M +88.9 -0 [6.56' +3.50" -0]
3	1200660233	883032K05M040	4.0M +165.1 -0 [13.12' +6.50" -0]
3	1200660234	883032K05M050	5.0M +165.1 -0 [16.40' +6.50" -0]

POL	MATERIAL NUMBER	ENGINEERING NUMBER	FINISHED LENGTH
4	1200660397	884032K05M003	0.3M +44.5 -0 [0.98' +1.75" -0]
4	1200660398	884032K05M005	0.5M +44.5 -0 [1.64' +1.75" -0]
4	1200660399	884032K05M006	0.6M +44.5 -0 [1.97' +1.75" -0]
4	1200660400	884032K05M010	1.0M +55.6 -0 [3.27' +2.19" -0]
4	1200660401	884032K05M015	1.5M +55.6 -0 [4.91' +2.19" -0]
4	1200660402	884032K05M020	2.0M +88.9 -0 [6.56' +3.50" -0]
4	1200660403	884032K05M030	3.0M +88.9 -0 [9.84' +3.50" -0]
4	1200660404	884032K05M040	4.0M +165.1 -0 [13.12' +6.50" -0]
4	1200660405	884032K05M050	5.0M +165.1 -0 [16.40' +6.50" -0]
4	1200660406	884032K05M060	6.0M +165.1 -0 [19.69' +6.50" -0]

ADD "REF" TO HEAD DIMENSIONS EC NO: WNA2011-0563 DRWN: TWOLDEGE CH'KD: VOI APPR: JFMURPHY 5/4/11 2010/02/03	QUALITY SYMBOLS	GENERAL TOLERANCES (UNLESS SPECIFIED)		DIMENSION STYLE		SCALE	DESIGN UNITS	THIRD ANGLE PROJECTION
	 = 0  = 0	mm	INCH	IN/MM		1:1	METRIC	
		4 PLACES ±---	±---	DRAWN BY DATE		<b>MICRO-CHANGE CORDSET</b> <b>3/4/5 P. FE STR/ MA 90</b> <b>22/3-5 YELLOW TPE CABLE</b>		
		3 PLACES ±---	±---	LSTEMMLE 2010/02/01				
		2 PLACES ±---	±.01	CHECKED BY DATE				
	1 PLACE ±0.3	±---	APPROVED BY DATE		 <b>MOLEX INCORPORATED</b>			
	ANGULAR ± --- °		FPACHER 2010/02/03					MATERIAL NO.
	DRAFT WHERE APPLICABLE MUST REMAIN WITHIN DIMENSIONS		SEE TABLE		SD-120066-025		2 OF 2	
3	REV	SIZE A3		THIS DRAWING CONTAINS INFORMATION THAT IS PROPRIETARY TO MOLEX INCORPORATED AND SHOULD NOT BE USED WITHOUT WRITTEN PERMISSION				

10

9

8

7

6

5

4

3

2

1