



Chipsmall Limited consists of a professional team with an average of over 10 year of expertise in the distribution of electronic components. Based in Hongkong, we have already established firm and mutual-benefit business relationships with customers from,Europe,America and south Asia,supplying obsolete and hard-to-find components to meet their specific needs.

With the principle of "Quality Parts,Customers Priority,Honest Operation,and Considerate Service",our business mainly focus on the distribution of electronic components. Line cards we deal with include Microchip,ALPS,ROHM,Xilinx,Pulse,ON,Everlight and Freescale. Main products comprise IC,Modules,Potentiometer,IC Socket,Relay,Connector.Our parts cover such applications as commercial,industrial, and automotives areas.

We are looking forward to setting up business relationship with you and hope to provide you with the best service and solution. Let us make a better world for our industry!



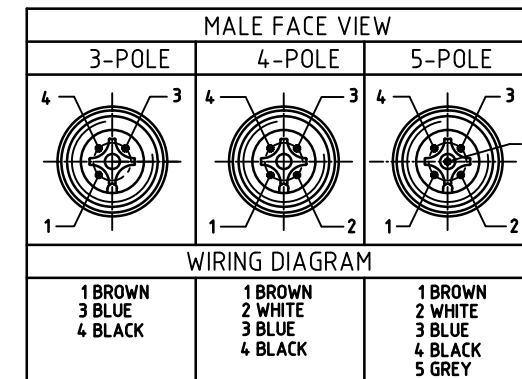
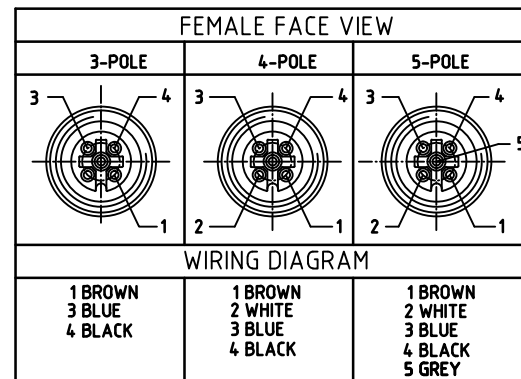
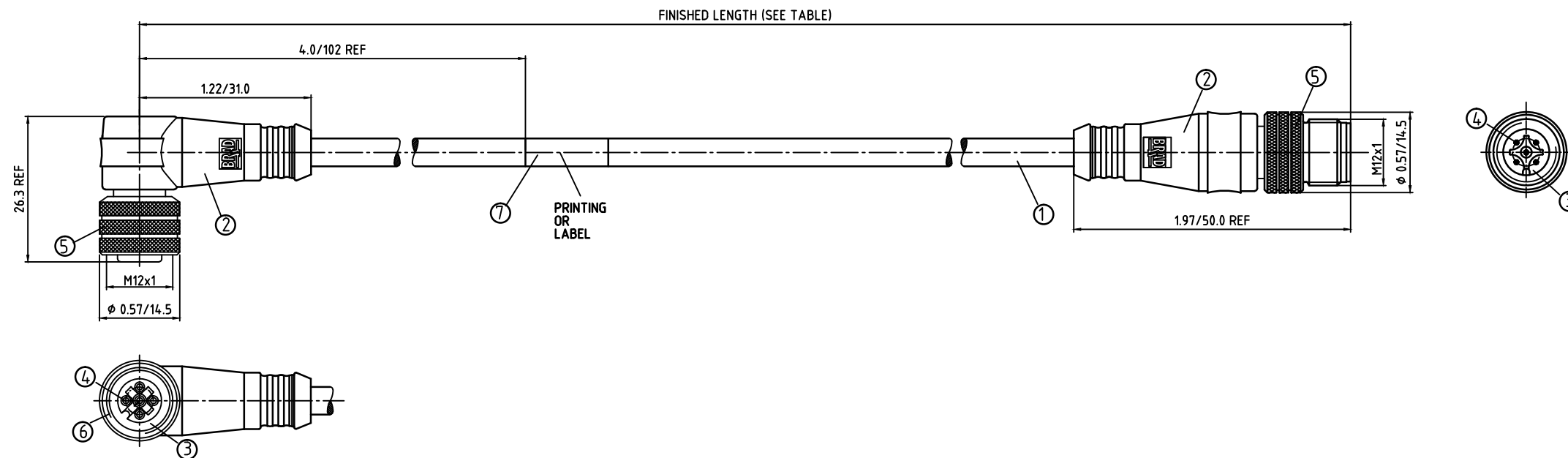
## Contact us

Tel: +86-755-8981 8866 Fax: +86-755-8427 6832

Email & Skype: info@chipsmall.com Web: www.chipsmall.com

Address: A1208, Overseas Decoration Building, #122 Zhenhua RD., Futian, Shenzhen, China





**CONNECTOR SPECIFICATION:**

VOLTAGE RATING	250 VAC/VDC
AMPERAGE RATING	max. 4 AMPS
PROTECTION	IP67
OPERATING TEMPERATURE	-20°C TO 105°C

ITEM	COMPONENT	MATERIAL	FINISH
7	LABLE	MYLAR	BLACK/YELLOW
6	O-RING	VITON	RED
5	COUPLER	BRASS	TEFLON
4	SOCKET/PIN CONTACT	COPPER ALLOY	GOLD OVER NICKEL
3	INSERT	NYLON	BLACK
2	OVERMOLD	TPE	YELLOW
1	CABLE- 22/3-5 (COPPER STRANDING) 3/4/5 CONDUCT. 300V	TPE JACKET	YELLOW

DESCRIPTION EC NO.: WEU2011-0416 DRWN.: BBRAUCH 17.02.11 CHKD.: REISSNER APPR.: REISSNER 2010/02/03 REV 2	QUALITY SYMBOLS 	GENERAL TOLERANCES (UNLESS SPECIFIED) <table border="1"> <tr> <th></th> <th>mm</th> <th>INCH</th> </tr> <tr> <td>4 PLACES</td> <td>±---</td> <td>±---</td> </tr> <tr> <td>3 PLACES</td> <td>±---</td> <td>±---</td> </tr> <tr> <td>2 PLACES</td> <td>±---</td> <td>±.01</td> </tr> <tr> <td>1 PLACE</td> <td>±0.3</td> <td>±---</td> </tr> <tr> <td colspan="3">ANGULAR ± --- °</td> </tr> </table>		mm	INCH	4 PLACES	±---	±---	3 PLACES	±---	±---	2 PLACES	±---	±.01	1 PLACE	±0.3	±---	ANGULAR ± --- °			DIMENSION STYLE <b>IN/MM</b> DRAWN BY DATE LSTEMMLE 2010/02/01 CHECKED BY DATE REISSNER 2010/02/02 APPROVED BY DATE FPACHER 2010/02/03	SCALE <b>1:1</b> DESIGN UNITS <b>METRIC</b> 	<b>MICRO-CHANGE CORDSET</b> <b>3/4/5 P. FE 90 / MA STR</b> <b>22/3-5 YELLOW TPE CABLE</b> <b>MOLEX INCORPORATED</b> MATERIAL NO. SD-120066-024 DOCUMENT NO. SHEET NO. 1 OF 2
		mm	INCH																				
4 PLACES	±---	±---																					
3 PLACES	±---	±---																					
2 PLACES	±---	±.01																					
1 PLACE	±0.3	±---																					
ANGULAR ± --- °																							
DRAFT WHERE APPLICABLE MUST REMAIN WITHIN DIMENSIONS		THIS DRAWING CONTAINS INFORMATION THAT IS PROPRIETARY TO MOLEX INCORPORATED AND SHOULD NOT BE USED WITHOUT WRITTEN PERMISSION																					

POL	MATERIAL NUMBER	ENGINEERING NUMBER	FINISHED LENGTH
3	1200660220	883031K05M002	0.2M +44.5 -0 [0.66' +1.75" -0]
3	1200660221	883031K05M005	0.5M +44.5 -0 [1.64' +1.75" -0]
3	1200660222	883031K05M010	1.0M +55.6 -0 [3.28' +2.19" -0]
3	1200660223	883031K05M020	2.0M +88.9 -0 [6.56' +3.50" -0]
3	1200660224	883031K05M040	4.0M +165.1 -0 [13.12' +6.50" -0]
3	1200660225	883031K05M050	5.0M +165.1 -0 [16.40' +6.50" -0]

POL	MATERIAL NUMBER	ENGINEERING NUMBER	FINISHED LENGTH
4	1200660374	884031K05M005	0.5M +44.5 -0 [1.64' +1.75" -0]
4	1200660375	884031K05M006	0.6M +44.5 -0 [1.97' +1.75" -0]
4	1200660376	884031K05M010	1.0M +55.6 -0 [3.28' +2.19" -0]
4	1200660377	884031K05M015	1.5M +55.6 -0 [4.91' +2.19" -0]
4	1200660378	884031K05M020	2.0M +88.9 -0 [6.56' +3.50" -0]
4	1200660379	884031K05M030	3.0M +88.9 -0 [9.84' +3.50" -0]
4	1200660380	884031K05M040	4.0M +165.1 -0 [13.12' +6.50" -0]
4	1200660381	884031K05M050	5.0M +165.1 -0 [16.40' +6.50" -0]
4	1200660382	884031K05M060	6.0M +165.1 -0 [19.69' +6.50" -0]
4	1200660546	884031K05M100	10.0M +317.5 -0 [32.81' +12.50' -0]

DESCRIPTION EC NO.: WEU2011-0416 DRWN.: BBRAUCH 17.02.11 CHKD.: REISSNER APPR.: REISSNER 2010/02/03 REV: 2	QUALITY SYMBOLS	GENERAL TOLERANCES (UNLESS SPECIFIED) mm INCH 4 PLACES ±--- ±--- 3 PLACES ±--- ±--- 2 PLACES ±--- ±.01 1 PLACE ±0.3 ±--- ANGULAR ± --- ° DRAFT WHERE APPLICABLE MUST REMAIN WITHIN DIMENSIONS	DIMENSION STYLE	SCALE	DESIGN UNITS	THIRD ANGLE PROJECTION MICRO-CHANGE CORDSET 3/4/5 P. FE 90 / MA STR 22/3-5 YELLOW TPE CABLE MOLEX INCORPORATED DOCUMENT NO. SD-120066-024 SHEET NO. 2 OF 2
	= 0 = 0		IN/MM	1:1	METRIC	
			DRAWN BY	DATE		
			LSTEMMLE	2010/02/01		
			CHECKED BY	DATE		
	REISSNER	2010/02/02				
	APPROVED BY	DATE				
	FPACHER	2010/02/03				
	MATERIAL NO.	SEE TABLE				
	SIZE	A3	THIS DRAWING CONTAINS INFORMATION THAT IS PROPRIETARY TO MOLEX INCORPORATED AND SHOULD NOT BE USED WITHOUT WRITTEN PERMISSION			