



Chipsmall Limited consists of a professional team with an average of over 10 year of expertise in the distribution of electronic components. Based in Hongkong, we have already established firm and mutual-benefit business relationships with customers from,Europe,America and south Asia,supplying obsolete and hard-to-find components to meet their specific needs.

With the principle of "Quality Parts,Customers Priority,Honest Operation,and Considerate Service",our business mainly focus on the distribution of electronic components. Line cards we deal with include Microchip,ALPS,ROHM,Xilinx,Pulse,ON,Everlight and Freescale. Main products comprise IC,Modules,Potentiometer,IC Socket,Relay,Connector.Our parts cover such applications as commercial,industrial, and automotives areas.

We are looking forward to setting up business relationship with you and hope to provide you with the best service and solution. Let us make a better world for our industry!



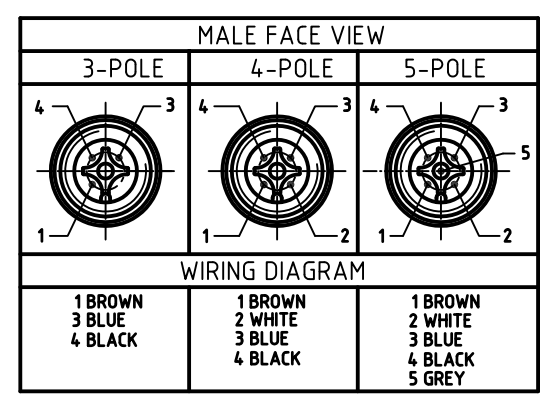
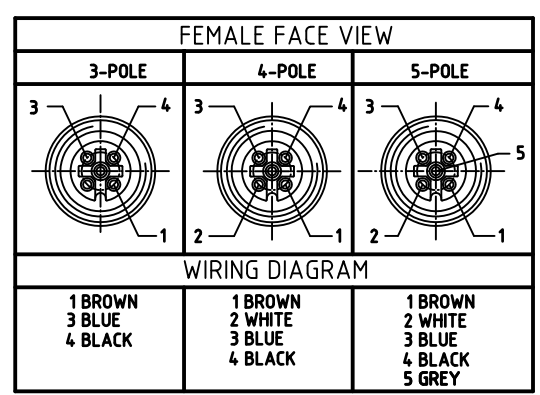
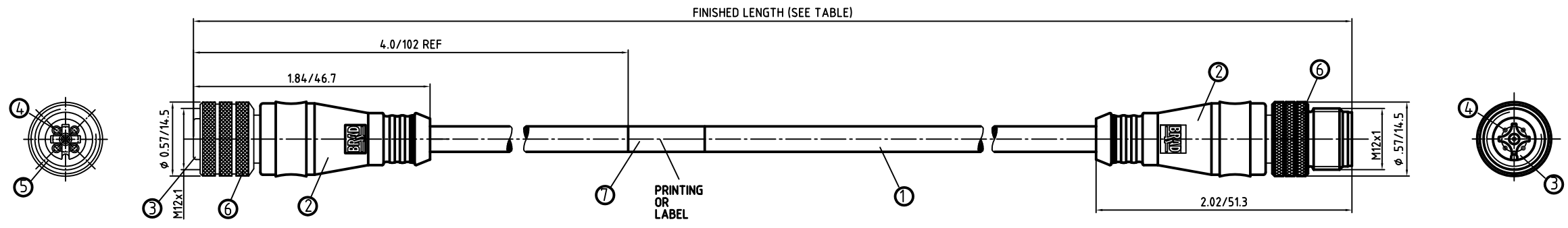
Contact us

Tel: +86-755-8981 8866 Fax: +86-755-8427 6832

Email & Skype: info@chipsmall.com Web: www.chipsmall.com

Address: A1208, Overseas Decoration Building, #122 Zhenhua RD., Futian, Shenzhen, China





CONNECTOR SPECIFICATION:

| | |
|-----------------------|---------------------------------|
| VOLTAGE RATING | 250 VAC/VDC |
| AMPERAGE RATING | max. 4 AMPS |
| PROTECTION | IP67 |
| OPERATING TEMPERATURE | -20°C TO 80°C |
| UL CERTIFICATIONS | UL RECOGNIZED, FILE NO. E152210 |
| CSA CERTIFICATIONS | LR6837 |

| ITEM | COMPONENT | MATERIAL | FINISH |
|------|--|--------------|------------------|
| 7 | LABLE | MYLAR | BLACK/YELLOW |
| 6 | COUPLER | BRASS | NICKEL PLATED |
| 5 | O-RING | VITON | RED |
| 4 | SOCKET/PIN CONTACT | COPPER ALLOY | GOLD OVER NICKEL |
| 3 | INSERT | NYLON | BLACK |
| 2 | OVERMOLD | TPE | YELLOW |
| 1 | CABLE- 22/3-5 (COPPER STRANDING) 3/4/5 CONDUCT. 300V | TPE JACKET | YELLOW |

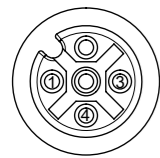
| | | | | | |
|---|--|---|---|--|--|
| DESCRIPTION EC NO.: WEU2010-0288 DRWN: LSTEMMLE 2010/01/25 CHKD: NS APPR: NSTAUDIG 2010/01/29 | QUALITY SYMBOLS ▽ = 0 ▽/C = 0 | GENERAL TOLERANCES (UNLESS SPECIFIED) mm INCH 4 PLACES ± --- ± --- 3 PLACES ± --- ± --- 2 PLACES ± --- ± .01 1 PLACE ± 0.3 ± --- ANGULAR ± --- ° | DIMENSION STYLE IN/MM DRAWN BY DATE LSTEMMLE 2010/01/25 CHECKED BY DATE RE 2010/01/26 APPROVED BY DATE NSTAUDIG 2010/01/29 | SCALE 2:1 DESIGN UNITS METRIC THIRD ANGLE PROJECTION | MICRO-CHANGE CORDSET 3/4/5 P. FE STR/ MA STR 18/3-5 YELLOW TPE CABLE |
| | DRAFT WHERE APPLICABLE MUST REMAIN WITHIN DIMENSIONS | | SEE TABLE | MATERIAL NO. SD-120066-012 | SHEET NO. 1 OF 1 |
| | SIZE A3 | | THIS DRAWING CONTAINS INFORMATION THAT IS PROPRIETARY TO MOLEX INCORPORATED AND SHOULD NOT BE USED WITHOUT WRITTEN PERMISSION | | |
| | MOLEX INCORPORATED | | | | |

| POL | MATERIAL NUMBER | ENGINEERING NUMBER | FINISHED LENGTH |
|-----|-----------------|--------------------|-------------------------------------|
| 4 | 1200660854 | 884030B02M010 | 1.0M +55.6 -0 [3.27' +2.19" -0] |
| 4 | 1200660856 | 884030B02M015 | 1.5M +55.6 -0 [4.91' +2.19" -0] |
| 4 | 1200660857 | 884030B02M020 | 2.0M +88.9 -0 [6.56' +3.50" -0] |
| 4 | 1200660859 | 884030B02M020 | 2.5M +88.9 -0 [8.18' +3.50" -0] |
| 4 | 1200660860 | 884030B02M030 | 3.0M +88.9 -0 [9.84' +3.50" -0] |
| 4 | 1200660861 | 884030B02M040 | 4.0M +165.1 -0 [13.12' +6.50" -0] |
| 4 | 1200660862 | 884030B02M050 | 5.0M +165.1 -0 [16.40' +6.50" -0] |
| 4 | 1200660864 | 884030B02M060 | 6.0M +165.1 -0 [19.69' +6.50" -0] |
| 4 | 1200660865 | 884030B02M070 | 7.0M +165.1 -0 [22.96' +6.50" -0] |
| 4 | 1200660866 | 884030B02M080 | 8.0M +317.5 -0 [26.25' +12.50" -0] |
| 4 | 1200660867 | 884030B02M100 | 10.0M +317.5 -0 [32.81' +12.50" -0] |

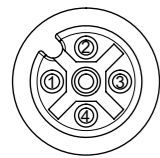
| | | | | | | | | | | |
|--|-----------------|--|------|-----------------|-------|---|--------------|------------------------|--|---------------------------|
| DESCRIPTION EC NO.: WEU2010-0288 DRWN: LSTEMMLE 2010/01/25 CH'KD: NS APPR: NSTAUDIG 2010/01/29 | QUALITY SYMBOLS | GENERAL TOLERANCES (UNLESS SPECIFIED) | | DIMENSION STYLE | | SCALE | DESIGN UNITS | THIRD ANGLE PROJECTION | | |
| | = 0 = 0 | 4 PLACES | ±--- | ±--- | IN/MM | | 2:1 | METRIC | MICRO-CHANGE CORDSET 3/4/5 P. FE STR/ MA STR 18/3-5 YELLOW TPE CABLE | |
| | | 3 PLACES | ±--- | ±--- | mm | INCH | DRAWN BY | DATE | | |
| | 2 PLACES | ±--- | ±.01 | mm | INCH | LSTEMMLE | 2010/01/25 | CHECKED BY | | |
| | 1 PLACE | ±0.3 | ±--- | ANGULAR ± --- ° | | RE | 2010/01/26 | APPROVED BY | DATE | MOLEX INCORPORATED |
| DRAFT WHERE APPLICABLE MUST REMAIN WITHIN DIMENSIONS | | SEE TABLE | | MATERIAL NO. | | DOCUMENT NO. | | SHEET NO. | | |
| 1 | REV | DRAFT WHERE APPLICABLE MUST REMAIN WITHIN DIMENSIONS | | SIZE | | THIS DRAWING CONTAINS INFORMATION THAT IS PROPRIETARY TO MOLEX INCORPORATED AND SHOULD NOT BE USED WITHOUT WRITTEN PERMISSION | | SD-120066-012 | | |
| | | | | A3 | | | | 1 OF 1 | | |

M12 FEMALE

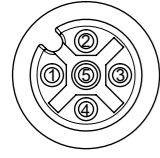
FACE VIEWS



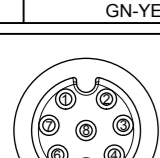
| PIN | WIRE COLOR |
|-----|------------|
| 1 | BROWN |
| 2 | - |
| 3 | BLUE |
| 4 | BLACK |



| PIN | WIRE COLOR |
|-----|------------|
| 1 | BROWN |
| 2 | WHITE |
| 3 | BLUE |
| 4 | BLACK |

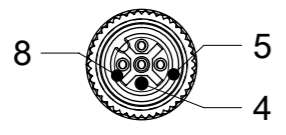


| PIN | WIRE COLOR |
|-----|-------------|
| 1 | BROWN |
| 2 | WHITE |
| 3 | BLUE |
| 4 | BLACK |
| 5 | GY or GN-YE |

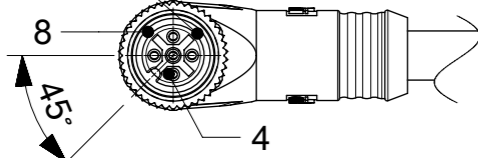


| PIN | WIRE COLOR |
|-----|------------|
| 1 | WHITE |
| 2 | BROWN |
| 3 | GREEN |
| 4 | YELLOW |
| 5 | GREY |
| 6 | PINK |
| 7 | BLUE |
| 8 | RED |

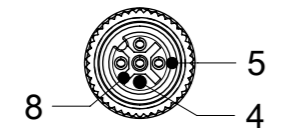
FEMALE STRAIGHT - MALE STRAIGHT
88X030BXXMXXX



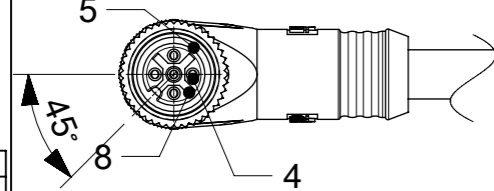
FEMALE RIGHT ANGEL - MALE STRAIGHT
88X031BXXMXXX



FEMALE STRAIGHT - MALE RIGHT ANGEL
88X032BXXMXXX

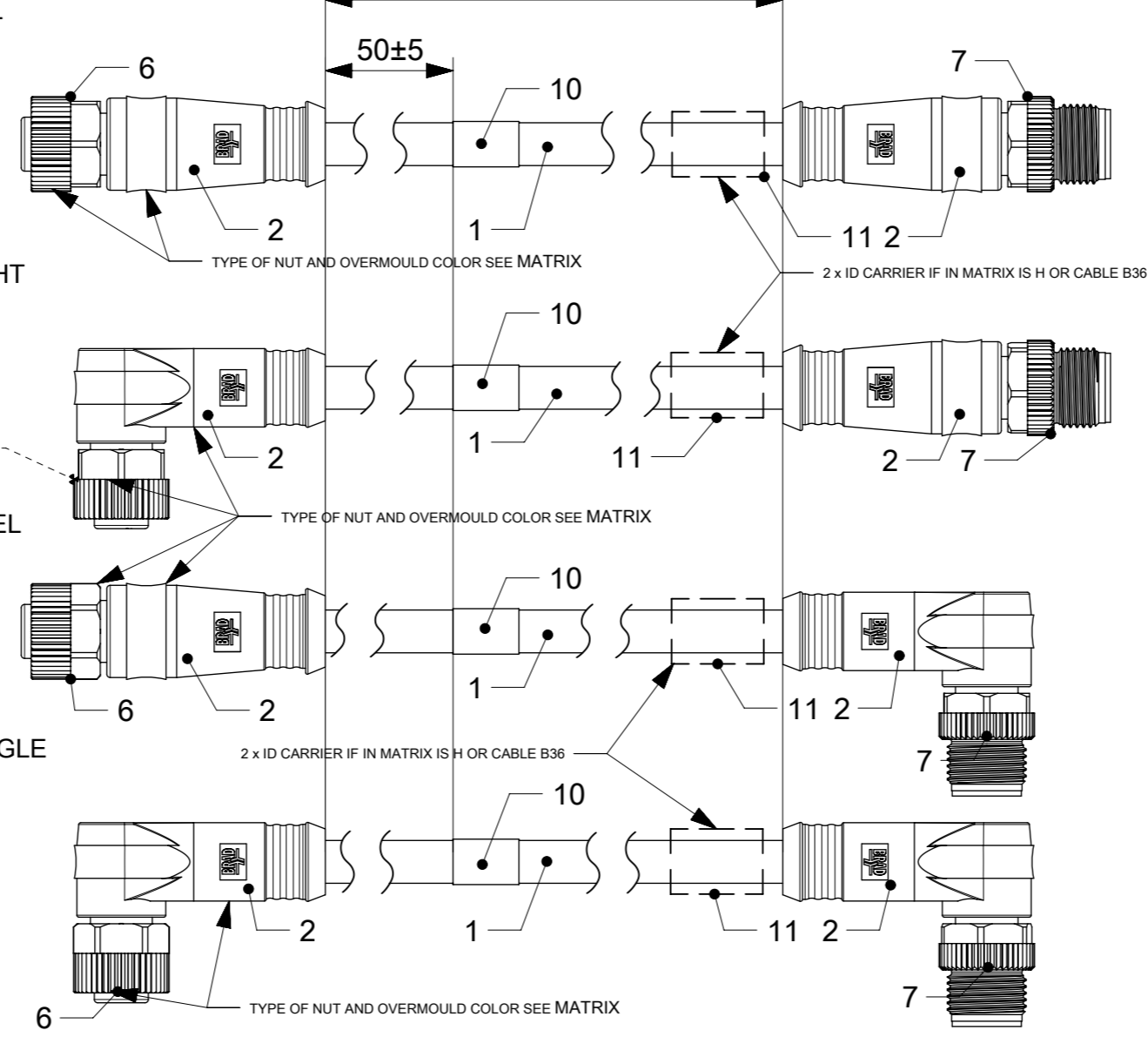


FEMALE RIGHT ANGLE - MALE RIGHT ANGLE
88X033BXXMXXX



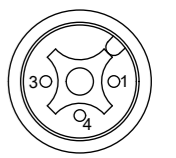
VIEW FROM THE FRONT SIDE
FEMALE 5P

L + TOL. - SEE MATRIX
(SHEET 2)

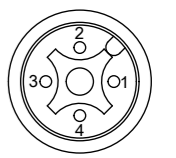


M12 MALE

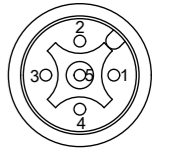
FACE VIEWS



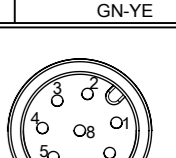
| PIN | WIRE COLOR |
|-----|------------|
| 1 | BROWN |
| 2 | - |
| 3 | BLUE |
| 4 | BLACK |



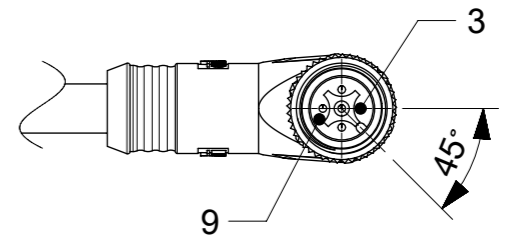
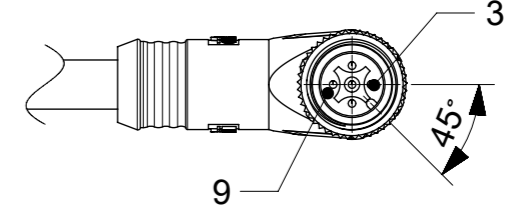
| PIN | WIRE COLOR |
|-----|------------|
| 1 | BROWN |
| 2 | WHITE |
| 3 | BLUE |
| 4 | BLACK |



| PIN | WIRE COLOR |
|-----|-------------|
| 1 | BROWN |
| 2 | WHITE |
| 3 | BLUE |
| 4 | BLACK |
| 5 | GY or GN-YE |



| PIN | WIRE COLOR |
|-----|------------|
| 1 | WHITE |
| 2 | BROWN |
| 3 | GREEN |
| 4 | YELLOW |
| 5 | GREY |
| 6 | PINK |
| 7 | BLUE |
| 8 | RED |



VIEW FROM THE FRONT SIDE
MALE 5P

BILL OF MATERIALS

| ITEM | QTY. | DESCRIPTION | MATERIAL | FINISH |
|------|------|-------------------------|------------|-------------------------|
| 11 | X | ID CARRIER (SEE MATRIX) | PVC | - |
| 10 | 1 | STANDARD WRAP LABEL YE | VINYL | - |
| 9 | 1 | INSERT M12 MA XP BK | ELASTOLLAN | - |
| 8 | 1 | INSERT M12 FE XP BK | ELASTOLLAN | - |
| 7 | 1 | NUT M12 MA HEX | BRASS | NICKEL PLATED |
| 6 | 1 | NUT M12 FE HEX | BRASS | NICKEL PLATED |
| 5 | 1 | GASKET RD | FPM | - |
| 4 | X | CONTACT FEMALE | BRONZE | GOLD OVER NICKEL PLATED |
| 3 | X | CONTACT MALE | CuNi2Si | GOLD OVER NICKEL PLATED |
| 2 | - | MOULDING MATERIAL | TPU | - |
| 1 | - | CABLE (SEE MATRIX) | - | - |

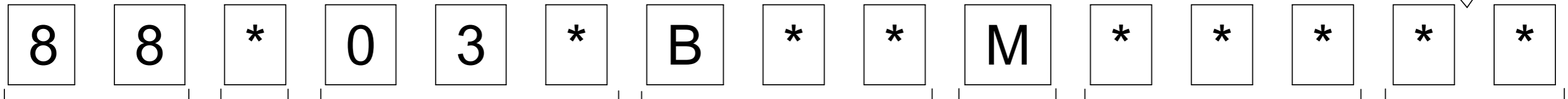
NOTE:

- BRAD LOGO - ONLY IN ONE SIDE ON THE OVERMOULD.

THIS DRAWING CONTAINS INFORMATION THAT IS PROPRIETARY TO MOLEX ELECTRONIC TECHNOLOGIES, LLC AND SHOULD NOT BE USED WITHOUT WRITTEN PERMISSION

| | | | | | | | |
|--|--|-----------------|------------------------|---------------------------------------|----------|----------|--------------|
| 2016/06/23 2016/08/22 | GENERAL TOLERANCES (UNLESS SPECIFIED) | DIMENSION UNITS | SCALE | molex | | | |
| | | MM | 1:1 | | | | |
| | | DRWN BY | DATE | | | | |
| | | MMATLA | 2016/06/23 | | | | |
| EC NO: 107719 DRWN: MMATLA CHK'D: MIWASIECZKO APPR: MIWASIECZKO | ANGULAR TOL ± ° | CHK'D BY | DATE | CSE M12 XP AC FE XXX TPU MA XXX XM DE | | | |
| | | 4 PLACES ± | | | | | |
| | | 3 PLACES ± | | | | | |
| | | 2 PLACES ± | | | | | |
| A | DRAFT WHERE APPLICABLE MUST REMAIN WITHIN DIMENSIONS | APPR BY | DATE | PRODUCT CUSTOMER DRAWING | | | |
| | | MIWASIECZKO | 2016/08/22 | | | | |
| | | SERIES | MATERIAL NUMBER | | | | |
| | | 120065 | SEE MATRIX (SH 2) | | | | |
| | | DRAWING SIZE | THIRD ANGLE PROJECTION | DOCUMENT NUMBER | DOC TYPE | DOC PART | SHEET NUMBER |
| | | A3 | | 1200659548 | PSD | 00P | 1 OF 4 |

PART No MATRIX - NUMERICAL CODE (AVAILABLE PARTS SEE PART LIST TABLE. OTHERS PARTS AVAILABLE UPON REQUEST).



88 = M12x2

POLES:
 3 = 3 POLES
 4 = 4 POLES
 5 = 5POLES
 8 = POLES

HEADER:
 030 = FEMALE STRAIGHT / MALE STRAIGHT
 031 = FEMALE RIGHT ANGEL / MALE STRAIGHT
 032 = FEMALE STRAIGHT/ MALE RIGHT ANGEL
 033 = FEMALE RIGHT ANGLE / MALE RIGHT ANGLE

CABLE:
 B30 = 0.34mm², TPU BLACK
 B33 = 0.34mm², TPU GREY
 B36 = 0.34mm², TPU ORANGE
 B41 = 0.25mm², TPU BLACK
 B42 = 0.34mm², TPU BLACK
 B49 = 0.25mm², TPU ORANGE

UNITS:
 M = METER
 C = CENTIMETER
 T = 10 x METER

LENGTH:
EXAMPLES:
 010 = 1 UNITS
 050 = 5 UNITS
 150 = 15 UNITS

H = 2 SZT. I/D CARRIER
COUPLIN NUT:
 BLANK = KNU / HEX
 7 = TEFLON KNU
 5 = PLASTIC NYLON
OVERMOULD:
 BLANK = BLACK
 A = GREY
 G = BLACK
 Y = YELLOW

| 88X030B33MXXXXX | | |
|-----------------|----------------|-------------------|
| MOLEX PN | ENGINEERING No | CABLE LENGTH [mm] |
| 1200669223 | 884030B33M010 | 1000 |
| 1200669224 | 884030B33M020 | 2000 |
| 1200669225 | 884030B33M030 | 3000 |
| 1200669226 | 884030B33M050 | 5000 |
| 1200669247 | 885030B33M020 | 2000 |
| 1200669248 | 885030B33M100 | 10000 |
| 1200669249 | 885030B33M200 | 20000 |
| 1200669250 | 884030B33M005 | 500 |
| 1200669251 | 884030B33M100 | 10000 |
| 1200669252 | 884030B33M200 | 20000 |
| 1200669253 | 885030B33M030 | 3000 |
| 1200669254 | 885030B33M050 | 5000 |
| 1200669255 | 885030B33M300 | 30000 |
| 1200669256 | 884030B33M300 | 30000 |
| 1200669257 | 885030B33M005 | 500 |
| 1200669258 | 885030B33M010 | 1000 |

| 88X030B41MXXXXX | | |
|-----------------|----------------|-------------------|
| MOLEX PN | ENGINEERING No | CABLE LENGTH [mm] |
| 1200668870 | 888030B41M038 | 3800 |
| 1200668895 | 888030B41M006 | 600 |
| 1200668896 | 888030B41M010 | 1000 |
| 1200668897 | 888030B41M020 | 2000 |
| 1200668898 | 888030B41M030 | 3000 |
| 1200668899 | 888030B41M050 | 5000 |
| 1200668900 | 888030B41M100 | 10000 |
| 1200669177 | 888030B41M090 | 9000 |

| 88X030B42MXXXXX | | |
|-----------------|----------------|-------------------|
| MOLEX PN | ENGINEERING No | CABLE LENGTH [mm] |
| 1200659548 | 885030B42M150 | 15000 |
| 1200659549 | 885030B42M200 | 20000 |
| 1200668823 | 885030B42M006 | 600 |
| 1200668824 | 885030B42M010 | 1000 |
| 1200668825 | 885030B42M020 | 2000 |
| 1200668826 | 885030B42M030 | 3000 |
| 1200668827 | 885030B42M050 | 5000 |
| 1200668828 | 885030B42M100 | 10000 |

| 88X030B49MXXXXX | | |
|-----------------|----------------|-------------------|
| MOLEX PN | ENGINEERING No | CABLE LENGHT [mm] |
| 1200669017 | 888030B49M015Y | 1500 |
| 1200669112 | 888030B49M038Y | 3800 |

| TABLE OF LENGTH TOLERANCES | | |
|----------------------------|---------------------|---------------|
| OVER | UP TO AND INCLUDING | TOLERANCE |
| 0 | 1000 | +40 0 |
| 1000 | 5000 | +60 0 |
| 5000 | 10000 | +80 0 |
| 10000 | 20000 | +140 0 |
| 20000 | 30000 | +160 0 |
| 30000 | > | +1% OF LENGTH |

THIS DRAWING CONTAINS INFORMATION THAT IS PROPRIETARY TO MOLEX ELECTRONIC TECHNOLOGIES, LLC AND SHOULD NOT BE USED WITHOUT WRITTEN PERMISSION

| | | | | | | |
|--|------------|--|---------------------------------------|------------------------|---|--|
| EC NO: 107719 DRWN: MMATLA CHK'D: MIWASIECZKO REV APPR: MIWASIECZKO | 2016/06/23 | 2016/08/22 | GENERAL TOLERANCES (UNLESS SPECIFIED) | DIMENSION UNITS | SCALE | |
| | | | ANGULAR TOL ± ° | MM | 1:1 | |
| | | | 4 PLACES ± | DRWN BY | DATE | |
| | | | 3 PLACES ± | MMATLA | 2016/06/23 | |
| | | 2 PLACES ± | CHK'D BY | DATE | CSE M12 XP AC FE XXX TPU MA XXX XM DE | |
| | | 1 PLACE ± | APPR BY | DATE | | |
| | | 0 PLACES ± | MIWASIECZKO | 2016/08/22 | | |
| | | DRAFT WHERE APPLICABLE MUST REMAIN WITHIN DIMENSIONS | DRAWING SIZE | THIRD ANGLE PROJECTION | | |
| | | | A3 | | PRODUCT CUSTOMER DRAWING | |
| | | | | | SERIES: 120065 MATERIAL NUMBER: SEE MATRIX CUSTOMER: | |
| | | | | | DOCUMENT NUMBER: 1200659548 DOC TYPE: PSD DOC PART: 00P SHEET NUMBER: 2 OF 4 | |

| 88X030B30MXXXXX | | |
|-----------------|----------------|-------------------|
| MOLEX PN | ENGINEERING No | CABLE LENGTH [mm] |
| 1200659666 | 885030B30M005 | 500 |
| 1200659667 | 885030B30M025 | 2500 |
| 1200668817 | 884030B30M006 | 600 |
| 1200668818 | 884030B30M010 | 1000 |
| 1200668819 | 884030B30M020 | 2000 |
| 1200668820 | 884030B30M030 | 3000 |
| 1200668821 | 884030B30M050 | 5000 |
| 1200668822 | 884030B30M100 | 10000 |
| 1200668863 | 884030B30M070 | 7000 |
| 1200668889 | 883030B30M006 | 600 |
| 1200668890 | 883030B30M010 | 1000 |
| 1200668891 | 883030B30M020 | 2000 |
| 1200668892 | 883030B30M030 | 3000 |
| 1200668893 | 883030B30M050 | 5000 |
| 1200668894 | 883030B30M100 | 10000 |
| 1200668913 | 884030B30M150 | 15000 |
| 1200668914 | 884030B30M200 | 20000 |
| 1200668915 | 884030B30M250 | 25000 |
| 1200668916 | 884030B30M300 | 30000 |
| 1200668991 | 885030B30M006 | 600 |
| 1200668992 | 885030B30M010 | 1000 |
| 1200668993 | 885030B30M020 | 2000 |
| 1200668994 | 885030B30M030 | 3000 |
| 1200668995 | 885030B30M050 | 5000 |
| 1200668996 | 885030B30M100 | 10000 |
| 1200669142 | 884030B30M0105 | 1000 |
| 1200669143 | 884030B30M0505 | 5000 |
| 1200669144 | 884030B30M025 | 2500 |
| 1200669145 | 885030B30M015 | 1500 |
| 1200669157 | 884030B30M002 | 200 |
| 1200669181 | 884030B30M040 | 4000 |
| 1200669182 | 884030B30M060 | 6000 |
| 1200669242 | 885030B30M0107 | 1000 |

| 88X030B36MXXXXX | | |
|-----------------|-----------------|-------------------|
| MOLEX PN | ENGINEERING No | CABLE LENGTH [mm] |
| 1200668859 | 884030B36M0507Y | 5000 |
| 1200668860 | 884030B36M1007Y | 10000 |
| 1200669019 | 884030B36M0057Y | 500 |
| 1200669020 | 884030B36M0107Y | 1000 |
| 1200669021 | 884030B36M0157Y | 1500 |
| 1200669022 | 884030B36M0207Y | 2000 |
| 1200669023 | 884030B36M0307Y | 3000 |
| 1200669024 | 884030B36M0407Y | 4000 |
| 1200669025 | 884030B36M0607Y | 6000 |
| 1200669026 | 884030B36M0807Y | 8000 |
| 1200669027 | 884030B36M1207Y | 12000 |
| 1200669028 | 884030B36M1507Y | 15000 |
| 1200669029 | 884030B36M2007Y | 20000 |
| 1200669030 | 884030B36M2507Y | 25000 |
| 1200669031 | 884030B36M3007Y | 30000 |
| 1200669032 | 885030B36M0057Y | 500 |
| 1200669033 | 885030B36M0107Y | 1000 |
| 1200669034 | 885030B36M0207Y | 2000 |
| 1200669035 | 885030B36M0307Y | 3000 |
| 1200669036 | 885030B36M0407Y | 4000 |
| 1200669037 | 885030B36M0507Y | 5000 |
| 1200669038 | 885030B36M0607Y | 6000 |
| 1200669039 | 885030B36M0807Y | 8000 |
| 1200669040 | 885030B36M1007Y | 10000 |
| 1200669041 | 885030B36M1207Y | 12000 |
| 1200669042 | 885030B36M1507Y | 15000 |
| 1200669043 | 885030B36M1807Y | 18000 |
| 1200669044 | 885030B36M2007Y | 20000 |
| 1200669045 | 885030B36M2507Y | 25000 |
| 1200669046 | 885030B36M3007Y | 30000 |
| 1200669140 | 885030B36M8507Y | 85000 |

| 88X031B30MXXXXX | | |
|-----------------|----------------|-------------------|
| MOLEX PN | ENGINEERING No | CABLE LENGTH [mm] |
| 1200668829 | 884031B30M006 | 600 |
| 1200668830 | 884031B30M010 | 1000 |
| 1200668831 | 884031B30M020 | 2000 |
| 1200668832 | 884031B30M030 | 3000 |
| 1200668833 | 884031B30M050 | 5000 |
| 1200668834 | 884031B30M100 | 10000 |
| 1200668877 | 883031B30M006 | 600 |
| 1200668878 | 883031B30M010 | 1000 |
| 1200668879 | 883031B30M020 | 2000 |
| 1200668880 | 883031B30M030 | 3000 |
| 1200668881 | 883031B30M050 | 5000 |
| 1200668882 | 883031B30M100 | 10000 |
| 1200668997 | 885031B30M006 | 600 |
| 1200668998 | 885031B30M010 | 1000 |
| 1200668999 | 885031B30M020 | 2000 |
| 1200669000 | 885031B30M030 | 3000 |
| 1200669001 | 885031B30M050 | 5000 |
| 1200669002 | 885031B30M100 | 10000 |
| 1200669241 | 885031B30M0067 | 600 |
| 1200669243 | 885031B30M0207 | 2000 |


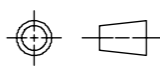
| 88X031B41MXXXXX | | |
|-----------------|----------------|-------------------|
| MOLEX PN | ENGINEERING No | CABLE LENGTH [mm] |
| 1200668883 | 888031B41M006 | 600 |
| 1200668884 | 888031B41M010 | 1000 |
| 1200668885 | 888031B41M020 | 2000 |
| 1200668886 | 888031B41M030 | 3000 |
| 1200668887 | 888031B41M050 | 5000 |
| 1200668888 | 888031B41M100 | 10000 |

| 88X031B42MXXXXX | | |
|-----------------|----------------|-------------------|
| MOLEX PN | ENGINEERING No | CABLE LENGTH [mm] |
| 1200668835 | 885031B42M006 | 600 |
| 1200668836 | 885031B42M010 | 1000 |
| 1200668837 | 885031B42M020 | 2000 |
| 1200668838 | 885031B42M030 | 3000 |
| 1200668839 | 885031B42M050 | 5000 |
| 1200668840 | 885031B42M100 | 10000 |

| 88X031B36MXXXXX | | |
|-----------------|-----------------|-------------------|
| MOLEX PN | ENGINEERING No | CABLE LENGTH [mm] |
| 1200668861 | 884031B36M0507Y | 5000 |
| 1200668862 | 884031B36M1007Y | 10000 |
| 1200669047 | 884031B36M0057Y | 500 |
| 1200669048 | 884031B36M0107Y | 1000 |
| 1200669049 | 884031B36M0157Y | 1500 |
| 1200669050 | 884031B36M0207Y | 2000 |
| 1200669051 | 884031B36M0307Y | 3000 |
| 1200669052 | 884031B36M0407Y | 4000 |
| 1200669053 | 884031B36M0607Y | 6000 |
| 1200669054 | 884031B36M0807Y | 8000 |
| 1200669055 | 884031B36M1207Y | 12000 |
| 1200669056 | 884031B36M1507Y | 15000 |
| 1200669057 | 884031B36M2007Y | 20000 |
| 1200669058 | 884031B36M2507Y | 25000 |
| 1200669059 | 884031B36M3007Y | 30000 |
| 1200669060 | 885031B36M0057Y | 500 |
| 1200669061 | 885031B36M0107Y | 1000 |
| 1200669062 | 885031B36M0207Y | 2000 |
| 1200669063 | 885031B36M0307Y | 3000 |
| 1200669064 | 885031B36M0407Y | 4000 |
| 1200669065 | 885031B36M0507Y | 5000 |
| 1200669066 | 885031B36M0607Y | 6000 |
| 1200669067 | 885031B36M0807Y | 8000 |
| 1200669068 | 885031B36M1007Y | 10000 |
| 1200669069 | 885031B36M1207Y | 12000 |
| 1200669070 | 885031B36M1507Y | 15000 |
| 1200669071 | 885031B36M1807Y | 18000 |
| 1200669072 | 885031B36M2007Y | 20000 |
| 1200669073 | 885031B36M2507Y | 25000 |
| 1200669074 | 885031B36M3007Y | 30000 |

| | | | | |
|----------------|----|--------------|------------|----------|
| RELEASE STATUS | P1 | RELEASE DATE | 22.08.2016 | 11:01:26 |
|----------------|----|--------------|------------|----------|

THIS DRAWING CONTAINS INFORMATION THAT IS PROPRIETARY TO MOLEX ELECTRONIC TECHNOLOGIES, LLC AND SHOULD NOT BE USED WITHOUT WRITTEN PERMISSION

| | | | | | |
|--|--|-----------------|---|---------------------------------|---|
| 2016/06/23 2016/08/22 | GENERAL TOLERANCES (UNLESS SPECIFIED) | | DIMENSION UNITS | SCALE |  |
| | ANGULAR TOL ± ° | | MM | 1:1 | |
| | 4 PLACES ± | | DRWN BY | DATE | |
| | 3 PLACES ± | | MMATLA | 2016/06/23 | |
| EC NO: 107719 DRWN: MMATLA CHK'D: MIWASIECZKO REVISION: 5 DATE: 2015/12/14 | 2 PLACES ± | | CHK'D BY | DATE | CSE M12 XP AC FE XXX TPU MA XXX XM DE |
| | 1 PLACE ± | | APPR BY | DATE | |
| | 0 PLACES ± | | MIWASIECZKO | 2016/08/22 | |
| | DRAFT WHERE APPLICABLE MUST REMAIN WITHIN DIMENSIONS | | DRAWING SIZE | THIRD ANGLE PROJECTION | |
| A | | A3 |  | PRODUCT CUSTOMER DRAWING | |
| | | SERIES | MATERIAL NUMBER | CUSTOMER | |
| | | 120065 | SEE MATRIX (SH 2) | | |
| | | DOCUMENT NUMBER | | DOC TYPE | DOC PART |
| | | 1200659548 | | PSD | 00P |
| | | | | SHEET NUMBER | |
| | | | | 3 OF 4 | |

| 88X032B30MXXXXX | | |
|-----------------|-----------------|-------------------|
| MOLEX PN | ENGINEERING No | CABLE LENGTH [mm] |
| 1200668918 | 883032B30M006 | 600 |
| 1200668919 | 883032B30M010 | 1000 |
| 1200668920 | 883032B30M020 | 2000 |
| 1200668921 | 883032B30M030 | 3000 |
| 1200668922 | 883032B30M050 | 5000 |
| 1200668923 | 883032B30M100 | 10000 |
| 1200668924 | 884032B30M006 | 600 |
| 1200668925 | 884032B30M010 | 1000 |
| 1200668926 | 884032B30M020 | 2000 |
| 1200668927 | 884032B30M030 | 3000 |
| 1200668928 | 884032B30M050 | 5000 |
| 1200668929 | 884032B30M100 | 10000 |
| 1200669003 | 885032B30M006 | 600 |
| 1200669004 | 885032B30M010 | 1000 |
| 1200669005 | 885032B30M020 | 2000 |
| 1200669006 | 885032B30M030 | 3000 |
| 1200669007 | 885032B30M050 | 5000 |
| 1200669008 | 885032B30M100 | 10000 |
| 88X032B36MXXXXX | | |
| MOLEX PN | ENGINEERING No | CABLE LENGTH [mm] |
| 1200669075 | 884032B36M0057Y | 500 |
| 1200669076 | 884032B36M0107Y | 1000 |
| 1200669077 | 884032B36M0157Y | 1500 |
| 1200669078 | 884032B36M0207Y | 2000 |
| 1200669079 | 884032B36M0307Y | 3000 |
| 1200669080 | 884032B36M0407Y | 4000 |
| 1200669081 | 884032B36M0507Y | 5000 |
| 1200669082 | 884032B36M0607Y | 6000 |
| 1200669083 | 884032B36M0807Y | 8000 |
| 1200669084 | 884032B36M1007Y | 10000 |
| 1200669085 | 884032B36M1207Y | 12000 |
| 1200669086 | 884032B36M1507Y | 15000 |
| 1200669087 | 884032B36M2007Y | 20000 |
| 1200669088 | 884032B36M2507Y | 25000 |
| 1200669089 | 884032B36M3007Y | 30000 |
| 1200669090 | 885032B36M0057Y | 500 |
| 1200669091 | 885032B36M0107Y | 1000 |
| 1200669092 | 885032B36M0207Y | 2000 |
| 1200669093 | 885032B36M0307Y | 3000 |
| 1200669094 | 885032B36M0407Y | 4000 |
| 1200669095 | 885032B36M0507Y | 5000 |
| 1200669096 | 885032B36M0607Y | 6000 |
| 1200669097 | 885032B36M0807Y | 8000 |
| 1200669098 | 885032B36M1007Y | 10000 |
| 1200669099 | 885032B36M1207Y | 12000 |
| 1200669100 | 885032B36M1507Y | 15000 |
| 1200669101 | 885032B36M1807Y | 18000 |
| 1200669102 | 885032B36M2007Y | 20000 |
| 1200669103 | 885032B36M2507Y | 25000 |
| 1200669104 | 885032B36M3007Y | 30000 |

| | | | | |
|----------------|----|--------------|------------|----------|
| RELEASE STATUS | P1 | RELEASE DATE | 22.08.2016 | 11:01:26 |
|----------------|----|--------------|------------|----------|


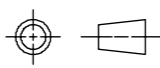
| 88X032B41MXXXXX | | |
|-----------------|----------------|-------------------|
| MOLEX PN | ENGINEERING No | CABLE LENGTH [mm] |
| 1200668936 | 888032B41M006 | 600 |
| 1200668937 | 888032B41M010 | 1000 |
| 1200668938 | 888032B41M020 | 2000 |
| 1200668939 | 888032B41M030 | 3000 |
| 1200668940 | 888032B41M050 | 5000 |
| 1200668941 | 888032B41M100 | 10000 |

| 88X032B42MXXXXX | | |
|-----------------|----------------|-------------------|
| MOLEX PN | ENGINEERING No | CABLE LENGTH [mm] |
| 1200668930 | 885032B42M006 | 600 |
| 1200668931 | 885032B42M010 | 1000 |
| 1200668932 | 885032B42M020 | 2000 |
| 1200668933 | 885032B42M030 | 3000 |
| 1200668934 | 885032B42M050 | 5000 |
| 1200668935 | 885032B42M100 | 10000 |

| 88X033B30MXXXXX | | |
|-----------------|----------------|-------------------|
| MOLEX PN | ENGINEERING No | CABLE LENGTH [mm] |
| 1200668942 | 883033B30M006 | 600 |
| 1200668943 | 883033B30M010 | 1000 |
| 1200668944 | 883033B30M020 | 2000 |
| 1200668945 | 883033B30M030 | 3000 |
| 1200668946 | 883033B30M050 | 5000 |
| 1200668947 | 883033B30M100 | 10000 |
| 1200668948 | 884033B30M006 | 600 |
| 1200668949 | 884033B30M010 | 1000 |
| 1200668950 | 884033B30M020 | 2000 |
| 1200668951 | 884033B30M030 | 3000 |
| 1200668952 | 884033B30M050 | 5000 |
| 1200668953 | 884033B30M100 | 10000 |
| 1200669009 | 885033B30M006 | 600 |
| 1200669010 | 885033B30M010 | 1000 |
| 1200669011 | 885033B30M020 | 2000 |
| 1200669012 | 885033B30M030 | 3000 |
| 1200669013 | 885033B30M050 | 5000 |
| 1200669014 | 885033B30M100 | 10000 |
| 1200669259 | 883033B30M004 | 400 |

| 88X033B41MXXXXX | | |
|-----------------|----------------|-------------------|
| MOLEX PN | ENGINEERING No | CABLE LENGTH [mm] |
| 1200668960 | 888033B41M006 | 600 |
| 1200668961 | 888033B41M010 | 1000 |
| 1200668962 | 888033B41M020 | 2000 |
| 1200668963 | 888033B41M030 | 3000 |
| 1200668964 | 888033B41M050 | 5000 |
| 1200668965 | 888033B41M100 | 10000 |

| 88X033B42MXXXXX | | |
|-----------------|----------------|-------------------|
| MOLEX PN | ENGINEERING No | CABLE LENGTH [mm] |
| 1200668954 | 885033B42M006 | 600 |
| 1200668955 | 885033B42M010 | 1000 |
| 1200668956 | 885033B42M020 | 2000 |
| 1200668957 | 885033B42M030 | 3000 |
| 1200668958 | 885033B42M050 | 5000 |
| 1200668959 | 885033B42M100 | 10000 |

| | | | | | | | | | | |
|---|------------|---|-----------------|--------------|--|--|--|--|--|------------|
| THIS DRAWING CONTAINS INFORMATION THAT IS PROPRIETARY TO MOLEX ELECTRONIC TECHNOLOGIES, LLC AND SHOULD NOT BE USED WITHOUT WRITTEN PERMISSION | | | | | | | | | | |
| EC NO: 107719 DRWN: MMATLA CHK'D: MIWASIECZKO APPR: MIWASIECZKO | 2016/06/23 | GENERAL TOLERANCES (UNLESS SPECIFIED) ANGULAR TOL ± ° 4 PLACES ± 3 PLACES ± 2 PLACES ± 1 PLACE ± 0 PLACES ± DRAFT WHERE APPLICABLE MUST REMAIN WITHIN DIMENSIONS | DIMENSION UNITS | SCALE |  CSE M12 XP AC FE XXX TPU MA XXX XM DE | | | | | |
| | | | MM | 1:1 | | | | | | |
| | DRWN BY | | DATE | MMATLA | | | | | | 2016/06/23 |
| | | | | CHK'D BY | DATE | PRODUCT CUSTOMER DRAWING SERIES: 120065 MATERIAL NUMBER: SEE MATRIX (SH2) CUSTOMER: | | | | |
| | | | | APPR BY | DATE | | | | | |
| | | | | MIWASIECZKO | 2016/08/22 | | | | | |
| | | | | DRAWING SIZE | THIRD ANGLE PROJECTION | DOCUMENT NUMBER: 1200659548 DOC TYPE: PSD DOC PART: 00P SHEET NUMBER: 4 OF 4 | | | | |
| | | | | A3 |  | | | | | |