



Chipsmall Limited consists of a professional team with an average of over 10 year of expertise in the distribution of electronic components. Based in Hongkong, we have already established firm and mutual-benefit business relationships with customers from,Europe,America and south Asia,supplying obsolete and hard-to-find components to meet their specific needs.

With the principle of "Quality Parts,Customers Priority,Honest Operation,and Considerate Service",our business mainly focus on the distribution of electronic components. Line cards we deal with include Microchip,ALPS,ROHM,Xilinx,Pulse,ON,Everlight and Freescale. Main products comprise IC,Modules,Potentiometer,IC Socket,Relay,Connector.Our parts cover such applications as commercial,industrial, and automotives areas.

We are looking forward to setting up business relationship with you and hope to provide you with the best service and solution. Let us make a better world for our industry!



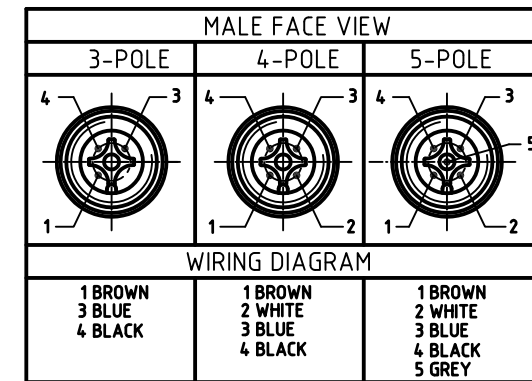
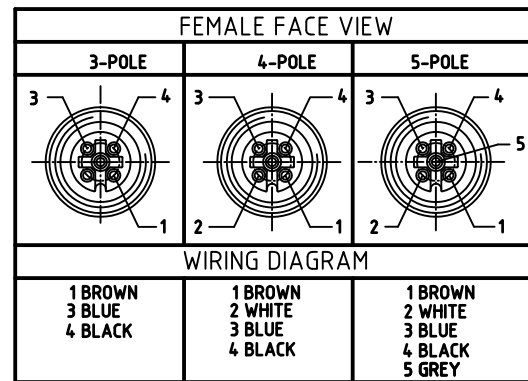
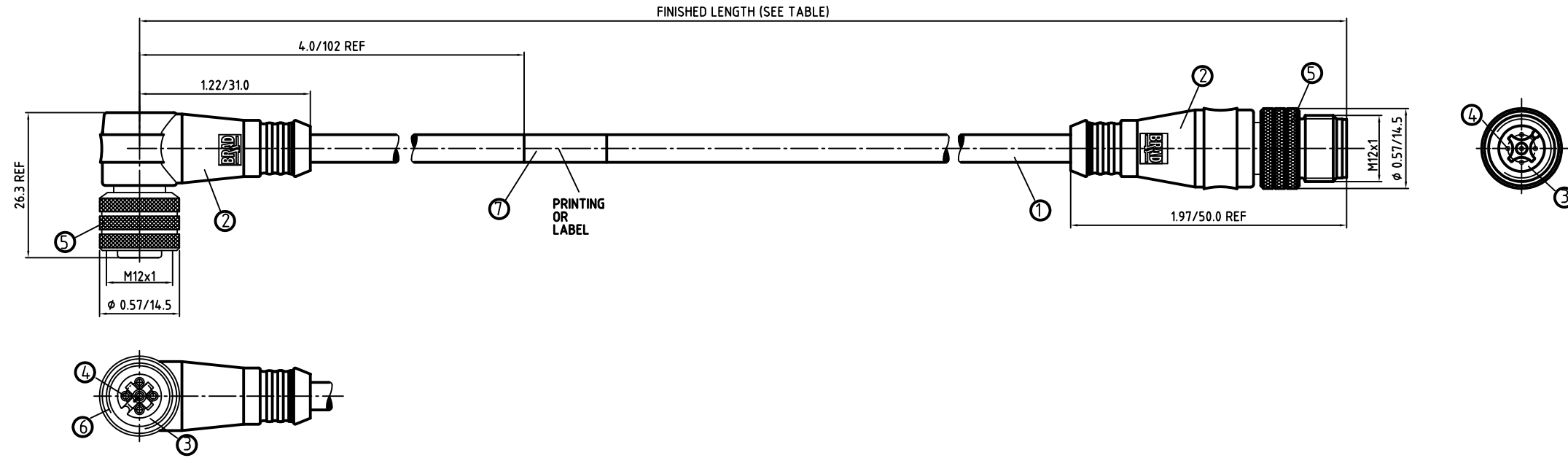
Contact us

Tel: +86-755-8981 8866 Fax: +86-755-8427 6832

Email & Skype: info@chipsmall.com Web: www.chipsmall.com

Address: A1208, Overseas Decoration Building, #122 Zhenhua RD., Futian, Shenzhen, China





CONNECTOR SPECIFICATION:

VOLTAGE RATING	250 VAC/VDC
AMPERAGE RATING	max. 4 AMPS
PROTECTION	IP67
OPERATING TEMPERATURE	-20°C TO 80°C
UL CERTIFICATIONS	UL RECOGNIZED, FILE NO. E152210
CSA CERTIFICATIONS	LR6837

ITEM	COMPONENT	MATERIAL	FINISH
7	LABLE	MYLAR	BLACK/YELLOW
6	O-RING	VITON	RED
5	COUPLER	BRASS	NICKEL PLATED
4	SOCKET/PIN CONTACT	COPPER ALLOY	GOLD OVER NICKEL
3	INSERT	NYLON	BLACK
2	OVERMOLD	TPE	YELLOW
1	CABLE- 18/3-5 (COPPER STRANDING) 3/4/5 CONDUCT. 300V	TPE JACKET	YELLOW

DESCRIPTION EC NO.: WEU2010-0363 DRWN: LSTEMMLE 15.02.10 CHKD: NS APPR: FPACHER 2010/02/16	QUALITY SYMBOLS ▽ = 0 ▽/C = 0	GENERAL TOLERANCES (UNLESS SPECIFIED) mm INCH 4 PLACES ±--- ±--- 3 PLACES ±--- ±--- 2 PLACES ±--- ±.01 1 PLACE ±0.3 ±--- ANGULAR ± --- °	DIMENSION STYLE IN/MM DRAWN BY DATE LSTEMMLE 2010/02/03 CHECKED BY DATE RE 2010/02/04 APPROVED BY DATE FPACHER 2010/02/15	SCALE 1:1 DESIGN UNITS METRIC THIRD ANGLE PROJECTION	MICRO-CHANGE CORDSET 3/4/5 P. FE 90 / MA STR 18/3-5 YELLOW TPE CABLE
	DRAFT WHERE APPLICABLE MUST REMAIN WITHIN DIMENSIONS		SEE TABLE SHEET 2	MATERIAL NO. SD-120066-031	SHEET NO. 1 OF 2
	THIS DRAWING CONTAINS INFORMATION THAT IS PROPRIETARY TO MOLEX INCORPORATED AND SHOULD NOT BE USED WITHOUT WRITTEN PERMISSION				
	MOLEX INCORPORATED				

10

9

8

7

6

5

4

3

2

1

F

F

POL	MATERIAL NUMBER	ENGINEERING NUMBER	FINISHED LENGTH
4	1200660935	884031B02M020	2.0M +88.9 -0 [6.56' +3.50" -0]
4	1200660937	884031B02M030	3.0M +88.9 -0 [9.84' +3.50" -0]
4	1200660939	884031B02M040	4.0M +165.1 -0 [13.12' +6.50" -0]
4	1200660940	884031B02M040	5.0M +165.1 -0 [16.40' +6.50" -0]
4	1200660942	884031B02M060	6.0M +165.1 -0 [19.69' +6.50" -0]

E

E

D

D

C

C

B

B

A

A

DESCRIPTION EC NO.: WEU2010-0363 DRWN: LSTEMMLE CHKD: NS APPR: FPACHER	15.02.10 2010/02/16	QUALITY SYMBOLS ▽ = 0 ∇ = 0	GENERAL TOLERANCES (UNLESS SPECIFIED)		DIMENSION STYLE IN/MM		SCALE 1:1	DESIGN UNITS METRIC	THIRD ANGLE PROJECTION		
			mm	INCH	DRAWN BY LSTEMMLE	DATE 2010/02/03	MICRO-CHANGE CORDSET 3/4/5 P. FE 90 / MA STR 18/3-5 YELLOW TPE CABLE				
4 PLACES	±---	±---	CHECKED BY RE	DATE 2010/02/04	APPROVED BY FPACHER						DATE 2010/02/15
3 PLACES	±---	±---	MATERIAL NO. SEE TABLE		DOCUMENT NO. SD-120066-031		SHEET NO. 2 OF 2				
2 PLACES	±---	±.01	DRAFT WHERE APPLICABLE MUST REMAIN WITHIN DIMENSIONS		SIZE A3		THIS DRAWING CONTAINS INFORMATION THAT IS PROPRIETARY TO MOLEX INCORPORATED AND SHOULD NOT BE USED WITHOUT WRITTEN PERMISSION				
1 PLACE	±0.3	±---									
ANGULAR ± --- °											

10

9

8

7

6

5

4

3

2

1