



Chipsmall Limited consists of a professional team with an average of over 10 year of expertise in the distribution of electronic components. Based in Hongkong, we have already established firm and mutual-benefit business relationships with customers from,Europe,America and south Asia,supplying obsolete and hard-to-find components to meet their specific needs.

With the principle of "Quality Parts,Customers Priority,Honest Operation,and Considerate Service",our business mainly focus on the distribution of electronic components. Line cards we deal with include Microchip,ALPS,ROHM,Xilinx,Pulse,ON,Everlight and Freescale. Main products comprise IC,Modules,Potentiometer,IC Socket,Relay,Connector.Our parts cover such applications as commercial,industrial, and automotives areas.

We are looking forward to setting up business relationship with you and hope to provide you with the best service and solution. Let us make a better world for our industry!



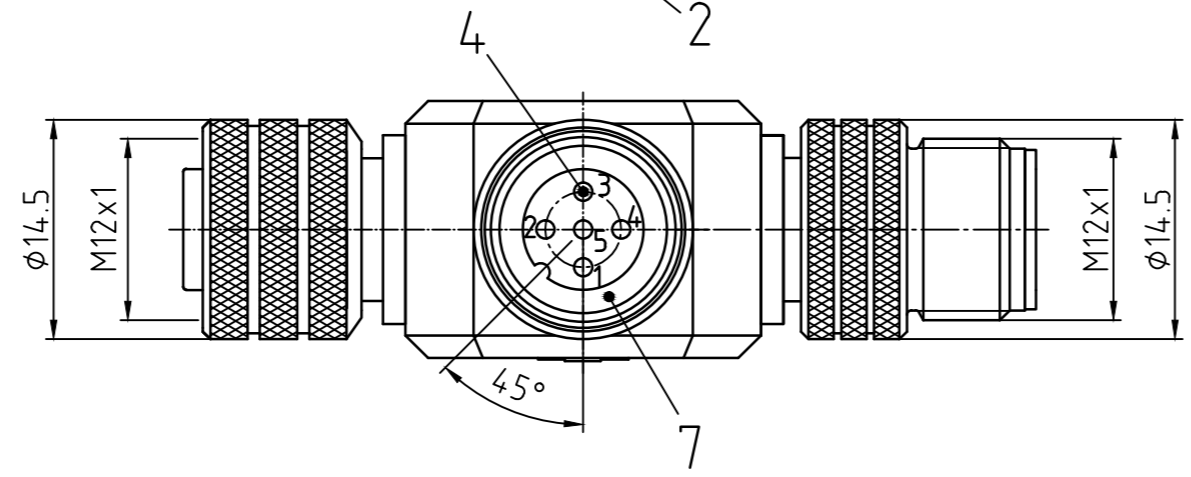
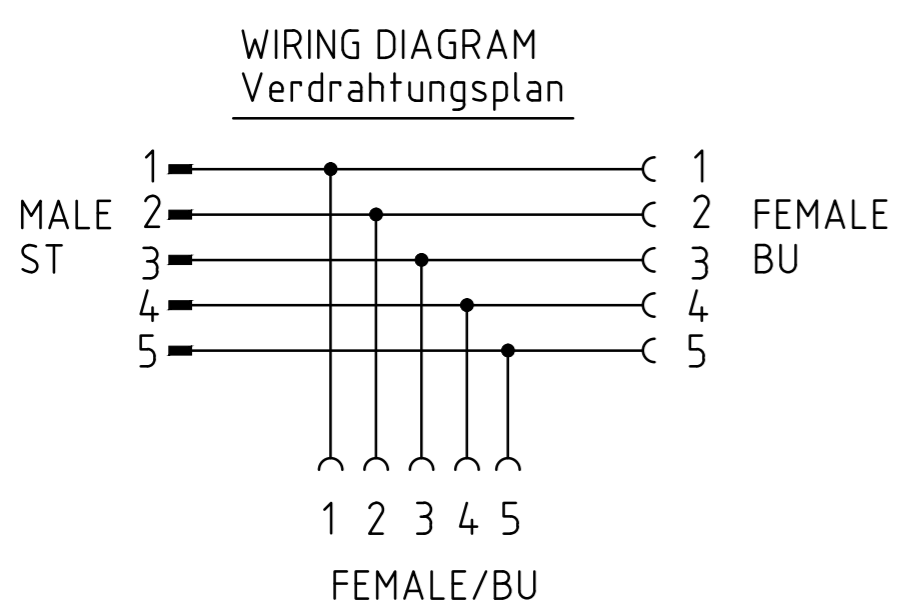
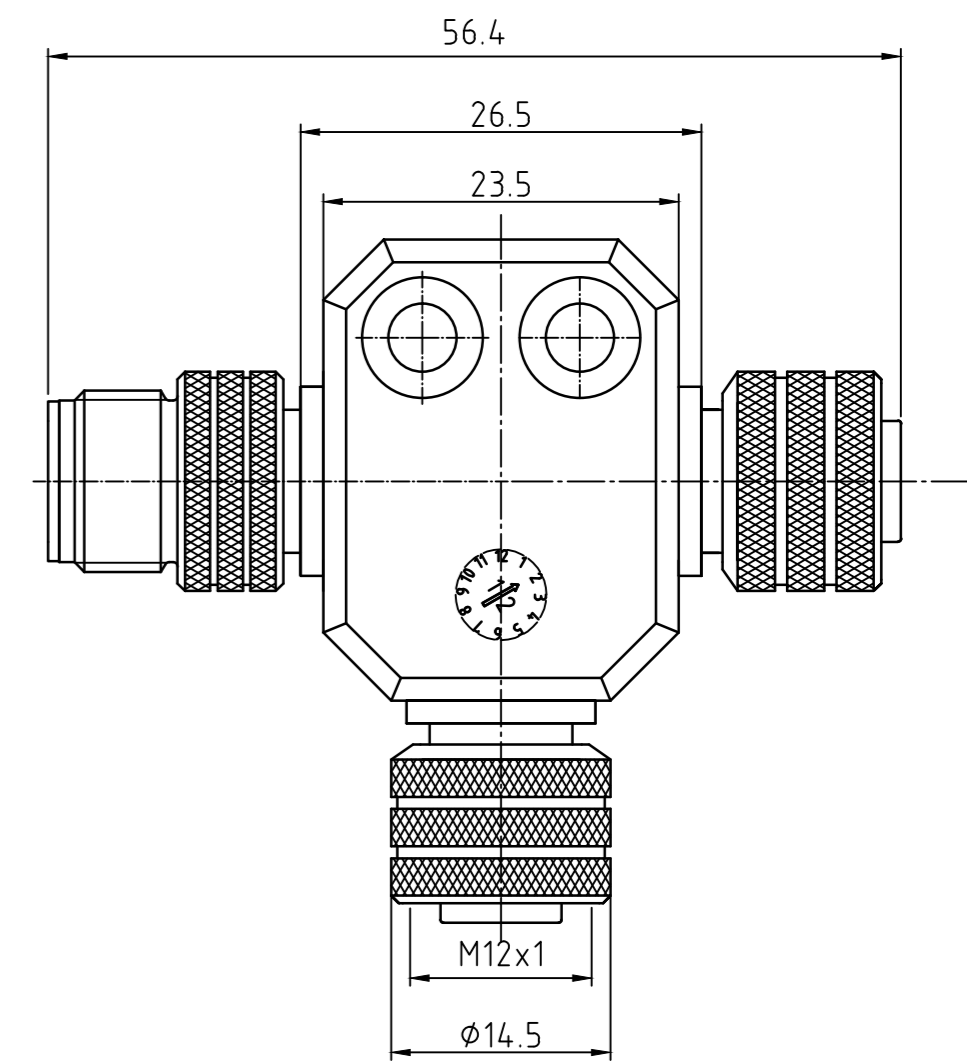
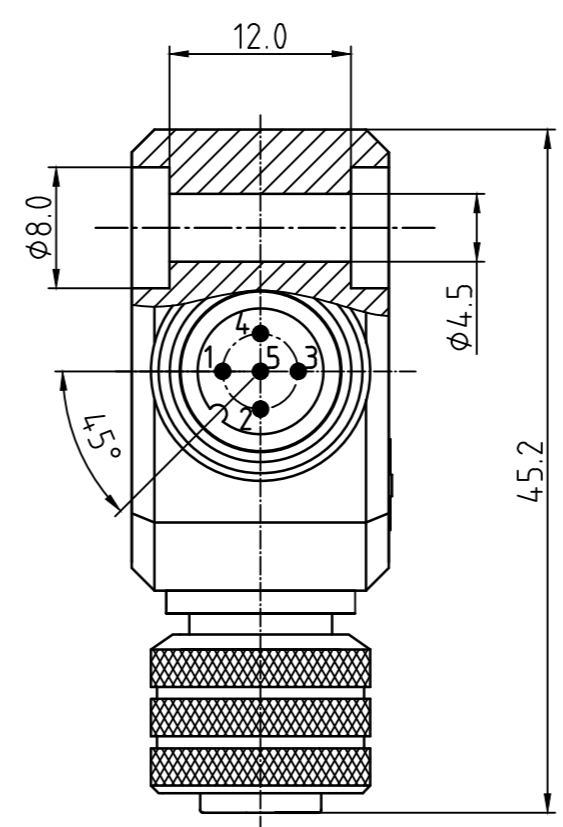
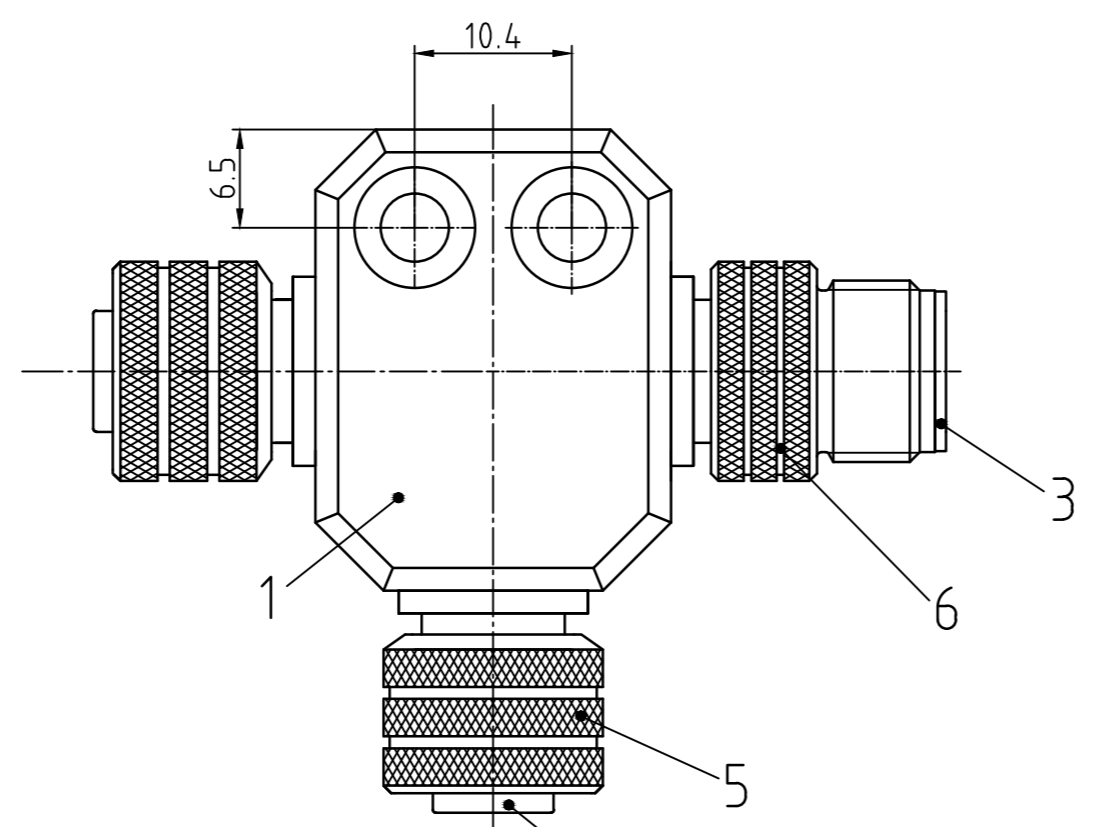
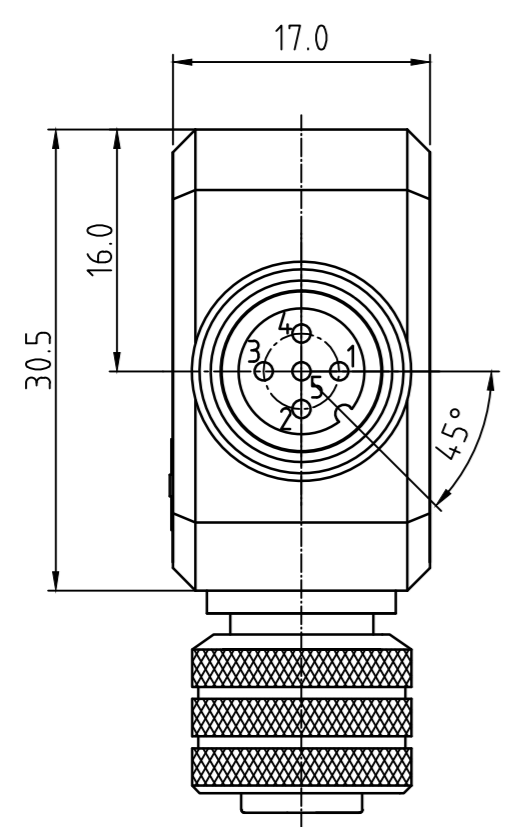
## Contact us

Tel: +86-755-8981 8866 Fax: +86-755-8427 6832

Email & Skype: info@chipsmall.com Web: www.chipsmall.com

Address: A1208, Overseas Decoration Building, #122 Zhenhua RD., Futian, Shenzhen, China





CONNECTOR SPECIFICAT./Steckverb.-Eigenschaften	
VOLTAGE RATING/Betriebsspannung	60V AC/DC
AMPERAGE RATING/Bemessungsstrom	max. 4 AMPS (40°C)
PROTECTION/IP-Schutzart	IP67
OPERATING TEMPERATURE/Temperaturbereich	-25°C TO +90°C

POS.	COMPONENT/Teil	MATERIAL	FINISH/Oberfl.
7	FEMALE O-RING SEAL /Dichtung Bu	VITON / RED/rot	---
6	MALE COUPLING NUT / Schraubhülse	BRASS / CuZn	NICKEL PLATED
5	FEMALE COUPLING NUT / Mutter	BRASS / CuZn	NICKEL PLATED
4	MALE/FEM CONTACT/ Kontakt St/Bu	COPPER ALLOY / CuSn	GOLD OVER NICKEL
3	MALE INSERT/Kontakttr.	PUR / BLACK/schwarz	---
2	FEMALE INSERT/Kontakttr.	PUR / BLACK/schwarz	---
1	OVERMOLD/Umspritzung	TPU / BLACK/schwarz	---

ENG.-NO.: 0812-051FJ-00000

DESCRIPTION EC NO.: IPG2017-0293 DRWN: REISSNER 2012/12/11 CHKD: RSILLER 2016/09/22 APPR: RSILLER 2016/10/05	QUALITY SYMBOLS ▽ = 0 ▽C = 0	GENERAL TOLERANCES (UNLESS SPECIFIED) mm INCH 4 PLACES ±--- ±--- 3 PLACES ±--- ±--- 2 PLACES ±0.05 ±--- 1 PLACE ±0.3 ±--- 0 PLACE ±0.5 ±--- ANGULAR ± 1 °	DIMENSION STYLE MM ONLY DRAWN BY DATE REISSNER 2012/12/11 CHECKED BY DATE RSILLER 2016/09/22 APPROVED BY DATE RSILLER 2016/10/05 MATERIAL NO. 1200688009	SCALE 2:1 DESIGN UNITS METRIC THIRD ANGLE PROJECTION	SPL TS M12 5P AC MA FE TPU UNSH BK BRA AU ---- <b>molex</b> DOCUMENT NO. SD-120068-142 SHEET NO. 1 OF 1	
	DRAFT WHERE APPLICABLE MUST REMAIN WITHIN DIMENSIONS		SIZE A2	THIS DRAWING CONTAINS INFORMATION THAT IS PROPRIETARY TO MOLEX INCORPORATED AND SHOULD NOT BE USED WITHOUT WRITTEN PERMISSION		