



Chipsmall Limited consists of a professional team with an average of over 10 year of expertise in the distribution of electronic components. Based in Hongkong, we have already established firm and mutual-benefit business relationships with customers from,Europe,America and south Asia,supplying obsolete and hard-to-find components to meet their specific needs.

With the principle of "Quality Parts,Customers Priority,Honest Operation,and Considerate Service",our business mainly focus on the distribution of electronic components. Line cards we deal with include Microchip,ALPS,ROHM,Xilinx,Pulse,ON,Everlight and Freescale. Main products comprise IC,Modules,Potentiometer,IC Socket,Relay,Connector.Our parts cover such applications as commercial,industrial, and automotives areas.

We are looking forward to setting up business relationship with you and hope to provide you with the best service and solution. Let us make a better world for our industry!



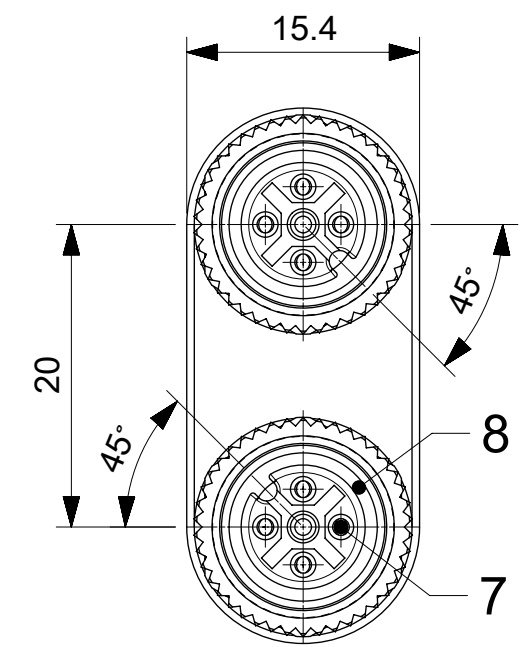
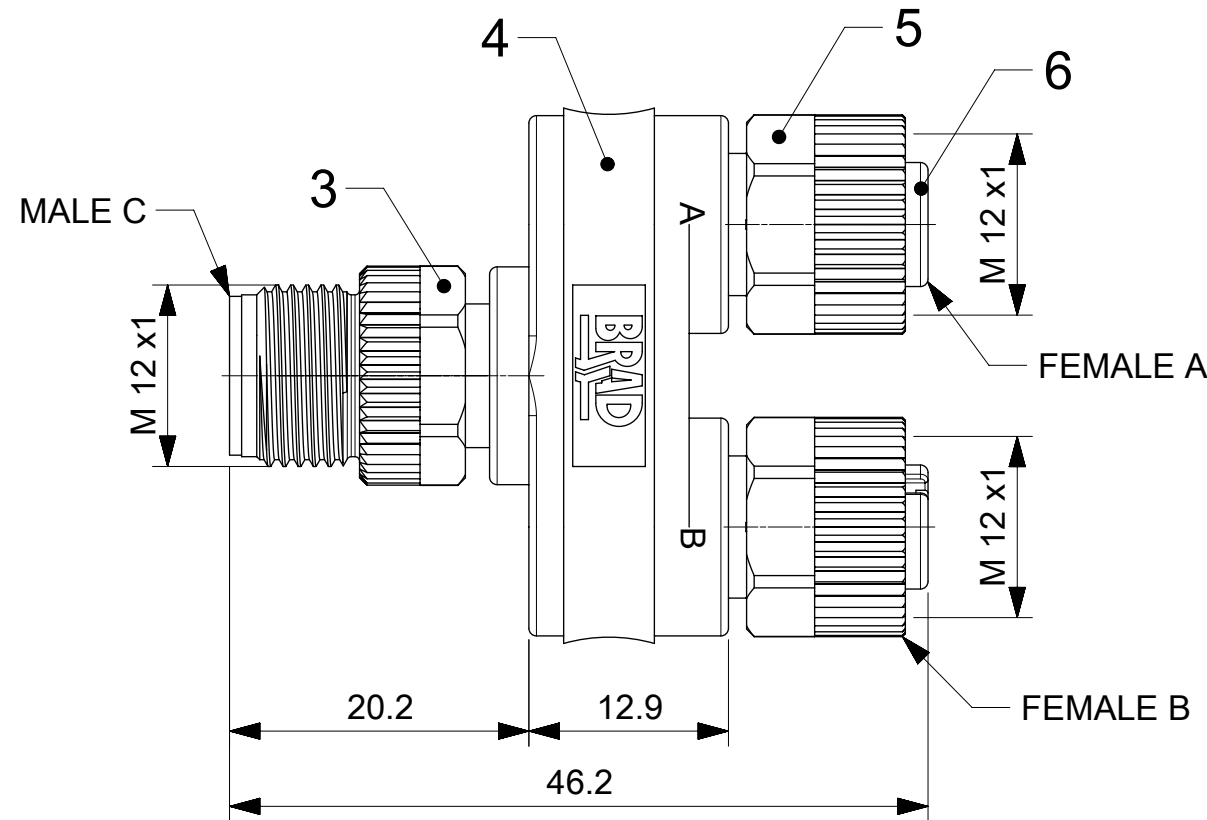
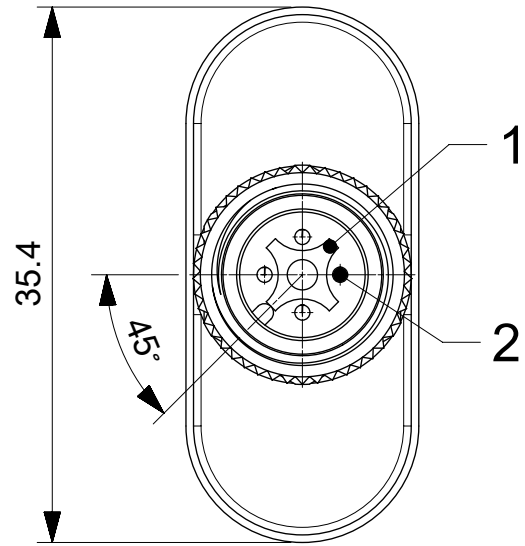
Contact us

Tel: +86-755-8981 8866 Fax: +86-755-8427 6832

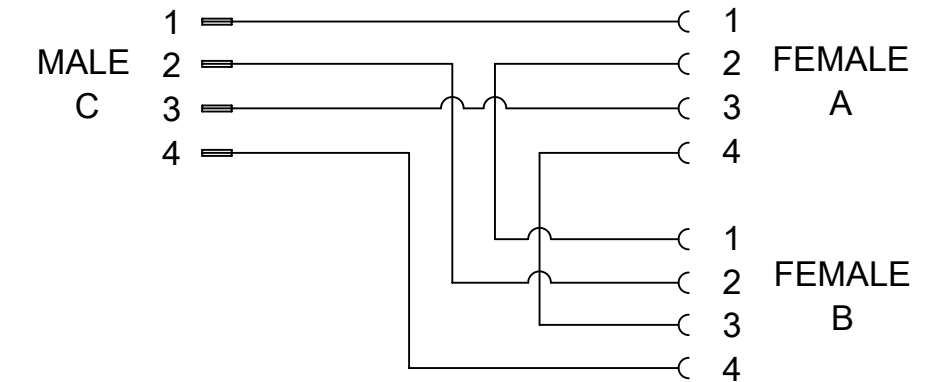
Email & Skype: info@chipsmall.com Web: www.chipsmall.com

Address: A1208, Overseas Decoration Building, #122 Zhenhua RD., Futian, Shenzhen, China

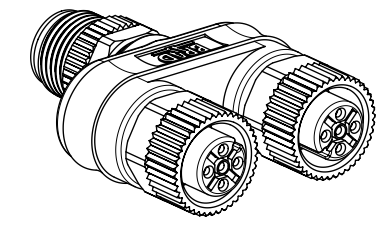




WIRING DIAGRAM
Verdrahtungsplan



SCALE 1:1



CONNECTOR SPECIFICATION / Steckverbindungs-Eigenschaften	
VOLTAGE RATING/Betriebsspannung	250V AC/DC
AMPERAGE RATING/Bemessungsstrom	max. 4 AMPS (40°C)
PROTECTION/IP-Schutzart	IP67
OPERATING TEMPERATURE/Temperaturbereich	-25°C TO +90°C

POS.	DESCRIPTION	MATERIAL	FINISH
1	INSERT MALE	PUR	BLACK
2	CONTACT MALE	COPPER ALLOY	GOLD OVER NICKEL
3	NUT MALE	BRASS	NICKEL PLATED
4	OVERMOULD	ELASTOLLAN	RED
5	NUT FEMALE	BRASS	NICKEL PLATED
6	INSERT FEMALE	TPU	BLACK
7	CONTACT FEMALE	COPPER ALLOY	GOLD OVER NICKEL
8	GASKET	FPM	RED

RELEASE STATUS	P1	RELEASE DATE	18.04.2016	15:44:47
----------------	----	--------------	------------	----------

QUALITY SYMBOLS FA = 0 FE = 0 FB = 0 FV = 0 FC = 0 FX = 0 FS = 0 FT = 0	THIS DRAWING CONTAINS INFORMATION THAT IS PROPRIETARY TO MOLEX ELECTRONIC TECHNOLOGIES, LLC AND SHOULD NOT BE USED WITHOUT WRITTEN PERMISSION		DIMENSION UNITS: MM SCALE: 2:1			
	GENERAL TOLERANCES (UNLESS SPECIFIED) ANGULAR TOL ± 1.0 °		DRWN BY: EJESKE DATE: 2015/10/27			SPL YS M12 4P AC MA/FE
	4 PLACES ± 3 PLACES ± 2 PLACES ± 0.05 1 PLACE ± 0.3 0 PLACES ± 0.5		CHK'D BY: RSILLER DATE: 2015/12/02			
	DRAFT WHERE APPLICABLE MUST REMAIN WITHIN DIMENSIONS		DRAWING SIZE: A3 THIRD ANGLE PROJECTION			SERIES: 120068 MATERIAL NUMBER: 1200688219 CUSTOMER: GENERAL MARKET
EC NO: 104347 DRWN: FGAIK CHK'D: CBRUNS APPR: CBRUNS			DATE: 2016/04/14 DATE: 2016/04/18		DOCUMENT NUMBER: 1200688219 DOC TYPE: PSD DOC PART: 000 SHEET NUMBER: 1 OF 1	