



Chipsmall Limited consists of a professional team with an average of over 10 year of expertise in the distribution of electronic components. Based in Hongkong, we have already established firm and mutual-benefit business relationships with customers from,Europe,America and south Asia,supplying obsolete and hard-to-find components to meet their specific needs.

With the principle of "Quality Parts,Customers Priority,Honest Operation,and Considerate Service",our business mainly focus on the distribution of electronic components. Line cards we deal with include Microchip,ALPS,ROHM,Xilinx,Pulse,ON,Everlight and Freescale. Main products comprise IC,Modules,Potentiometer,IC Socket,Relay,Connector.Our parts cover such applications as commercial,industrial, and automotives areas.

We are looking forward to setting up business relationship with you and hope to provide you with the best service and solution. Let us make a better world for our industry!



Contact us

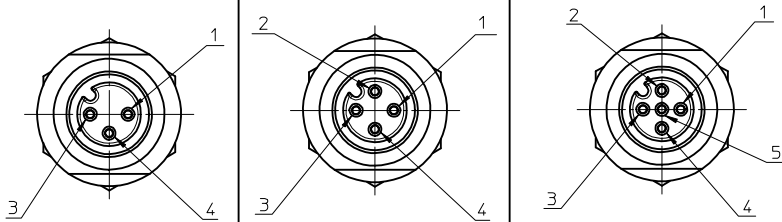
Tel: +86-755-8981 8866 Fax: +86-755-8427 6832

Email & Skype: info@chipsmall.com Web: www.chipsmall.com

Address: A1208, Overseas Decoration Building, #122 Zhenhua RD., Futian, Shenzhen, China



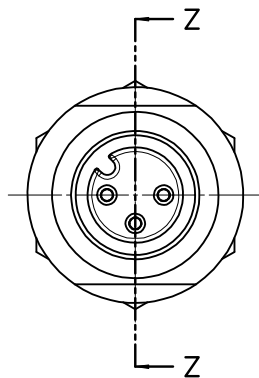
FACE VIEW - FEMALE INSERT SCALE 2 : 1



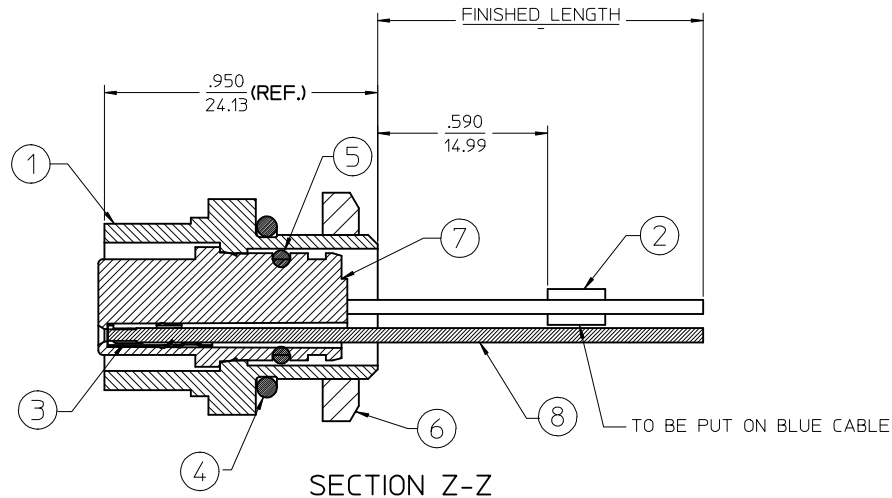
1 BROWN
3 BLUE
4 BLACK

1 BROWN
2 WHITE
3 BLUE
4 BLACK

1 BROWN
2 WHITE
3 BLUE
4 BLACK
5 GREY



FEMALE INSERT FRONT VIEW



SECTION Z-Z

FINAL ASSEMBLY
1200700056 (SHOWN)

ENTER DESCRIPTION EC NO: WEU2010-0059 DRWN: NKUMAR01 2009/08/27 CHKD: 2009/08/27 APPR: JFMURPHY 2009/08/28	QUALITY SYMBOLS ▽=0 ▽=0	GENERAL TOLERANCES (UNLESS SPECIFIED)		DIMENSION STYLE IN/MM	SCALE 2:1	DESIGN UNITS INCH	THIRD ANGLE PROJECTION
		4 PLACES ± --- ± --- 3 PLACES ± --- ± --- 2 PLACES ± --- ± --- 1 PLACE ± --- ± ---	mm INCH	DRAWN BY: NKUMAR01 DATE: 27/08/09 CHECKED BY: BWOODMAN DATE: 27/08/09	TITLE: MIC 3P F/FR 12IN. 1/4NPT #22 P		
		ANGULAR ±1/2°		APPROVED BY: JFMURPHY DATE: 2009/08/27	MOLEX INCORPORATED		
		DRAFT WHERE APPLICABLE MUST REMAIN WITHIN DIMENSIONS		MATERIAL NO. SEE SHEET 2	DOCUMENT NO. SD-120070-056	SHEET NO. 1 OF 2	

FEMALE RECEPTACLE ASSEMBLY

		3 POLE	4 POLE	5 POLE
Sl. No.	DESCRIPTION	QUANTITY		
1	MIC SHELL FM M12X1 BLK 1/4NPT	1	1	1
2	LABEL,SELF L.YELLOW(2.25X.75IN)	1	1	1
3	MIC SOCKET CONTACT - PLATED	3	4	5
4	O-RING .489 ID X .070 THK	1	1	1
5	O-RING.276 ID X .059 THK ROJO	1	1	1
6	#1/4-18IN NPS LOCKNUT	1	1	1
7	MIC 3P DC FEMALE INSERT	1		
	MIC 4P DC FEMALE INSERT		1	
	MIC 5P DC FEMALE INSERT			1
8	#22-1 BLK PVC WIRE UL1061	1	1	1
	#22-1 BLU PVC WIRE UL1061	1	1	1
	#22-1 BRN PVC WIRE UL1061	1	1	1
	#22-1 WHT PVC WIRE UL1061		1	1
	#22-1 GRY PVC WIRE UL1061			1

PART NUMBER	DESCRIPTION	FINISHED LENGTH
1200700056	8R3A00A18A120	12.0" +.75" -0 [0.3M +19.1MM -0]
1200700114	8R4A00A18A120	12.0" +.75" -0 [0.3M +19.1MM -0]
1200700201	8R5A00A18A120	12.0" +.75" -0 [0.3M +19.1MM -0]]

ENTER DESCRIPTION EC NO: WEU2010-0059 DRAWN BY: DRWINAKUMAR01 2009/08/27 CHKD: 2009/08/27 APPR: JFMURPHY 2009/08/28 REV: A	QUALITY SYMBOLS =0 =0	GENERAL TOLERANCES (UNLESS SPECIFIED)		DIMENSION STYLE IN/MM	SCALE 2:1	DESIGN UNITS INCH	THIRD ANGLE PROJECTION		
		4 PLACES ± --- ± --- 3 PLACES ± --- ± --- 2 PLACES ± --- ± --- 1 PLACE ± --- ± ---	mm INCH ± --- ± --- ± --- ± --- ± --- ± --- ± --- ± ---	DRAWN BY: NKUMAR01 DATE: 27/08/09	CHECKED BY: BWOODMAN DATE: 27/08/09	TITLE MIC 3P F/FR 12IN. 1/4NPT #22 P			
		ANGULAR ±1/2°		APPROVED BY: JFMURPHY DATE: 2009/08/27	MOLEX INCORPORATED				
		DRAFT WHERE APPLICABLE MUST REMAIN WITHIN DIMENSIONS		MATERIAL NO. SEE CHART	DOCUMENT NO. SD-120070-056	SHEET NO. 2 OF 2			